

1376476-1 ✓ ACTIVE



## AMP Signal Double Lock

TE Internal #: 1376476-1

Connector Contact, Socket, Wire-to-Wire, 24 – 22 AWG Wire Size, .12 – .38 mm<sup>2</sup> Wire Size, Pre-Tin, Reel, Wire & Cable, 2.5 A, AMP Signal Double Lock

[View on TE.com >](#)

Connectors > PCB Connectors > Wire-to-Board Connectors > Wire-to-Board Connector Contacts > Signal Double Lock Receptacle



Contact Type: **Socket**

Connector System: **Wire-to-Wire**

Wire Size: **.12 – .38 mm<sup>2</sup>**

Contact Mating Area Plating Material: **Pre-Tin**

[All Signal Double Lock Receptacle \(4\)](#)

## Features

### Product Type Features

Connector System	Wire-to-Wire
Sealable	No
Connector & Contact Terminates To	Wire & Cable

### Configuration Features

Compatible With Wire & Cable Type	Discrete Wire
-----------------------------------	---------------

### Electrical Characteristics

Operating Voltage	50 VAC
-------------------	--------

### Contact Features

Mating Square Post Dimension	.5 mm[.019 in]
Contact Mating Area Plating Material Thickness	.8 – 1.4 μm[31.49 – 55.12 μin]
Contact Base Material	Phosphor Bronze
Contact Type	Socket
Contact Mating Area Plating Material	Pre-Tin



Contact Current Rating (Max)	2.5 A
------------------------------	-------

### Termination Features

Termination Method to Wire & Cable	Crimp
------------------------------------	-------

### Mechanical Attachment

Connector Mounting Type	Cable Mount (Free-Hanging)
-------------------------	----------------------------

### Dimensions

Accepts Wire Insulation Diameter Range	1.2 – 1.9 mm [.047 – .074 in]
----------------------------------------	-------------------------------

Wire Size	.12 – .38 mm <sup>2</sup>
-----------	---------------------------

### Usage Conditions

Operating Temperature Range	-30 – 105 °C [-22 – 221 °F]
-----------------------------	-----------------------------

### Operation/Application

Circuit Application	Signal
---------------------	--------

### Packaging Features

Packaging Quantity	8000
--------------------	------

Packaging Method	Reel
------------------	------

### Product Compliance

[For compliance documentation, visit the product page on TE.com>](#)

EU RoHS Directive 2011/65/EU	Compliant
------------------------------	-----------

EU ELV Directive 2000/53/EC	Compliant
-----------------------------	-----------

China RoHS 2 Directive MIIT Order No 32, 2016	No Restricted Materials Above Threshold
-----------------------------------------------	-----------------------------------------

EU REACH Regulation (EC) No. 1907/2006	Current ECHA Candidate List: JAN 2022 (223) Candidate List Declared Against: JAN 2022 (223) Does not contain REACH SVHC
----------------------------------------	-------------------------------------------------------------------------------------------------------------------------------

Halogen Content	Low Halogen - Br, Cl, F, I < 900 ppm per homogenous material. Also BFR/CFR/PVC Free
-----------------	-------------------------------------------------------------------------------------

Solder Process Capability	Not applicable for solder process capability
---------------------------	----------------------------------------------

#### Product Compliance Disclaimer

This information is provided based on reasonable inquiry of our suppliers and represents our current actual knowledge based on the information they provided. This information is subject to change. The part numbers that TE has identified as EU RoHS compliant have a maximum concentration of 0.1% by weight in homogenous materials for lead, hexavalent chromium, mercury, PBB, PBDE, DBP, BBP, DEHP, DIBP, and 0.01% for cadmium, or qualify for an exemption to these limits as defined in the Annexes of Directive 2011/65/EU (RoHS2). Finished electrical and electronic equipment products

will be CE marked as required by Directive 2011/65/EU. Components may not be CE marked. Additionally, the part numbers that TE has identified as EU ELV compliant have a maximum concentration of 0.1% by weight in homogenous materials for lead, hexavalent chromium, and mercury, and 0.01% for cadmium, or qualify for an exemption to these limits as defined in the Annexes of Directive 2000/53/EC (ELV). Regarding the REACH Regulation, the information TE provides on SVHC in articles for this part number is based on the latest European Chemicals Agency (ECHA) 'Guidance on requirements for substances in articles' posted at this URL: <https://echa.europa.eu/guidance-documents/guidance-on-reach>

## Compatible Parts



TE Part # 2305570-1  
TERMINAL CUTTER, SIDE FEED



TE Part # 1366657-1  
SAHT 2.5MM PITCH SIGNAL MATE 26-22 ASSY



TE Part # 2-2151078-1  
OCEAN\_2.0\_APPLICATOR-S-046F070F



TE Part # 2-2151078-2  
OCEAN\_2.0\_APPLICATOR-S-046F070F



TE Part # 2151078-1  
OCEAN\_2.0\_APPLICATOR-S-046F070F



TE Part # 2151078-2  
OCEAN\_2.0\_APPLICATOR-S-046F070F



TE Part # 7-2151078-1  
OCEAN\_2.0\_APPLICATOR-S-046F070F



TE Part # 7-2151078-2  
OCEAN\_2.0\_APPLICATOR-S-046F070F




**KIT**  
REPRESENTATION ONLY

TE Part # 7-2151078-7  
OCEAN\_2.0\_SPARE\_PART\_KIT-046F070F




TE Part # 2321467-1  
I/O THROUGH CONNECTOR ASS'Y 4P

## Also in the Series | AMP Signal Double Lock



Connector Contacts(8)



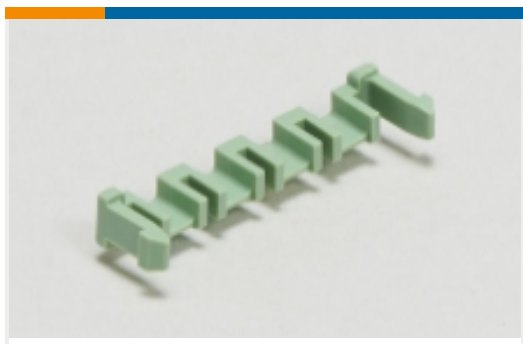
Insertion & Extraction Tools(1)



PCB Connector Seals(1)



PCB Headers & Receptacles(145)



PCB Latches, Locks & Retainers(17)



Rectangular Caps & Covers(1)



Rectangular Connector Housings(23)



Rectangular Connector Locking(2)



Rectangular Connector Seals(10)



Rectangular Power Connectors(3)



Standard Rectangular Connectors(1)

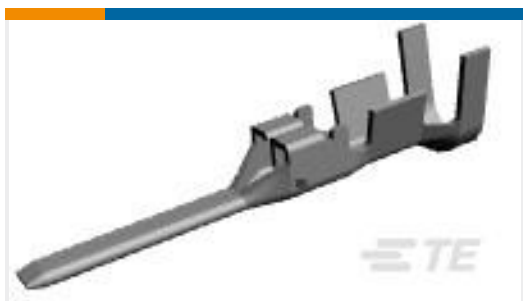


Wire-to-Board Connector Assemblies & Housings(74)



Wire-to-Board Connector Contacts(6)

## Customers Also Bought



TE Part #1565080-1  
GRACE INERTIA 3.5 TAB CONTACT(L)



TE Part #1376477-3  
2.5MM PITCH SIGNAL MATE CONN



TE Part #1565088-1  
GRACE INERTIA CONNECTOR 3.5 6P



TE Part #1565083-1  
GRACE INERTIA CONNECTOR 3.5 4P



TE Part #293009-1  
4 POS. FASTIN-FASTON CONN. TAB HOUSING R



TE Part #1376477-2  
2.5MM PITCH SIGNAL MATE CONN HOUSING R

## Documents



## Product Drawings

### 2.5 SIGNAL MATE REC CONTACT

English

---

## CAD Files

Customer View Model

[ENG\\_CVM\\_CVM\\_1376476-1\\_G.2d\\_dxf.zip](#)

English

## 3D PDF

3D

Customer View Model

[ENG\\_CVM\\_CVM\\_1376476-1\\_G.3d\\_igs.zip](#)

English

Customer View Model

[ENG\\_CVM\\_CVM\\_1376476-1\\_G.3d\\_stp.zip](#)

English

By downloading the CAD file I accept and agree to the [Terms and Conditions](#) of use.

---

## Product Specifications

[Application Specification](#)

English

---

## Product Environmental Compliance

[MD\\_1376476-1\\_09262018652\\_dmtec](#)

English

[MD\\_1376476-1\\_09262018652\\_dmtec](#)

English