

5-1418760-1 ✓ ACTIVE

AMP | MCON Interconnection System

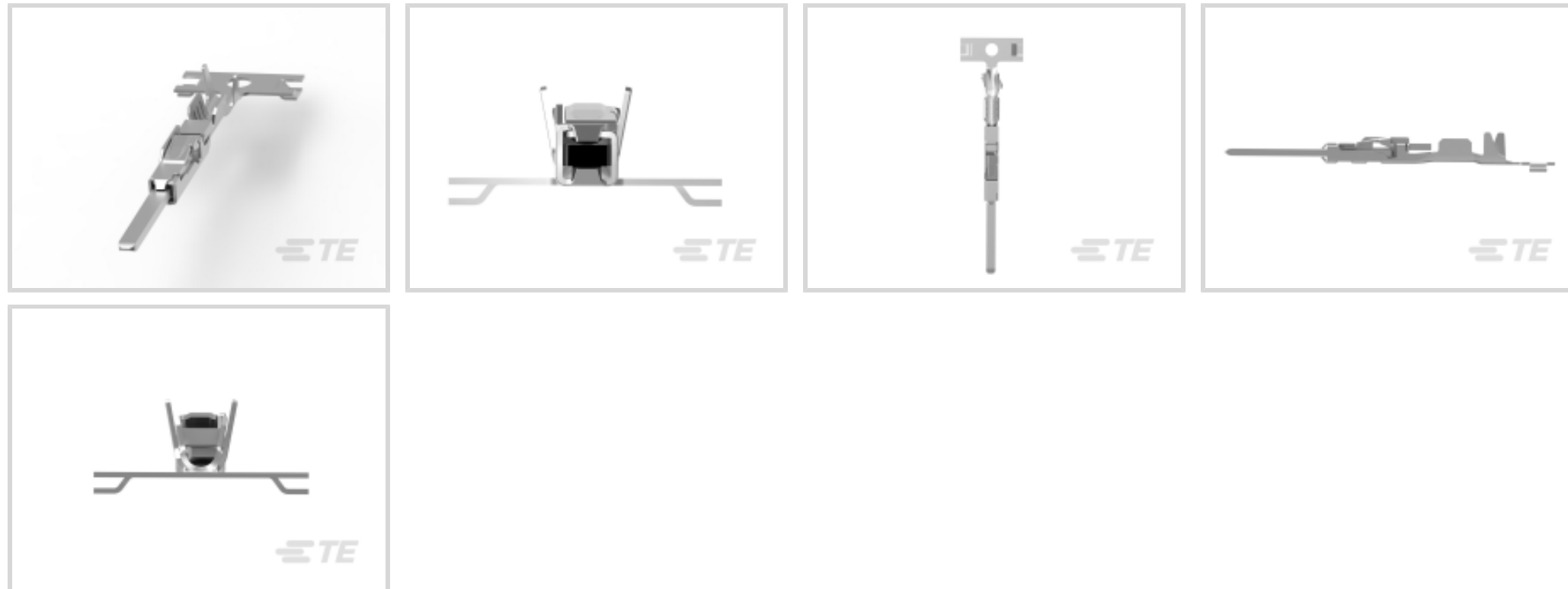
TE Internal #: 5-1418760-1

Automotive Terminals, Tab, Mating Tab Width 1.15 mm [.045 in],
Tab Thickness .024 in [.6 mm], 20 – 18 AWG Wire Size, MCON
Interconnection System

[View on TE.com >](#)



Terminals & Splices > Automotive Terminals > MCON, RECEPTACLE AND TAB



Terminal Type: **Tab**

Mating Tab Width: **1.15 mm [.045 in]**

Mating Tab Thickness: **.6 mm [.024 in]**

Terminal Transmits: **0 – 24 A (Low Power)**

Wire Size: **20 – 18 AWG**

[All MCON, RECEPTACLE AND TAB \(103\)](#)

Features

Product Type Features

Receptacle Style	180°
Sealable	No
Primary Locking Feature	Locking Lance

Contact Features

Crimp Type	F-Crimp
Terminal Type	Tab
Mating Tab Width	1.15 mm [.045 in]
Mating Tab Thickness	.6 mm [.024 in]
Interface Plating	Tin (Sn)
Contact Termination Area Plating Material	Tin (Sn)

Termination Features

Termination Method to Wire & Cable	Crimp
------------------------------------	-------



Product Terminates To

Wire

Dimensions

Wire Size	.5 – .75 mm ²
Wire Size Search	18 AWG, 19 AWG, 20 AWG
Wire Insulation Diameter	1.4 – 1.9 mm [.055 – .075 in]

Usage Conditions

Insulation Option	Uninsulated
Operating Temperature (Max)	80 °C, 85 °C, 90 °C, 100 °C, 105 °C, 110 °C, 120 °C, 125 °C, 130 °C [176 °F][185 °F][194 °F][212 °F][221 °F][230 °F][248 °F][257 °F][266 °F]
Operating Temperature Range	-40 – 130 °C [-40 – 266 °F]

Operation/Application

Compatible With Wire Base Material	Copper
------------------------------------	--------

Industry Standards

Agency/Standard	LV214
-----------------	-------

Packaging Features

Packaging Method	Reel
Packaging Quantity	9000

Other

Terminal Transmits	0 – 24 A (Low Power)
--------------------	----------------------

Product Compliance

For compliance documentation, visit the product page on [TE.com](https://www.te.com)>

EU RoHS Directive 2011/65/EU	Compliant
EU ELV Directive 2000/53/EC	Compliant
China RoHS 2 Directive MIIT Order No 32, 2016	No Restricted Materials Above Threshold
EU REACH Regulation (EC) No. 1907/2006	Current ECHA Candidate List: JAN 2022 (223) Candidate List Declared Against: JAN 2022 (223) Does not contain REACH SVHC
Halogen Content	Low Halogen - Br, Cl, F, I < 900 ppm per homogenous material. Also BFR/CFR/PVC Free

Solder Process Capability

Not reviewed for solder process capability

Product Compliance Disclaimer

This information is provided based on reasonable inquiry of our suppliers and represents our current actual knowledge based on the information they provided. This information is subject to change. The part numbers that TE has identified as EU RoHS compliant have a maximum concentration of 0.1% by weight in homogenous materials for lead, hexavalent chromium, mercury, PBB, PBDE, DBP, BBP, DEHP, DIBP, and 0.01% for cadmium, or qualify for an exemption to these limits as defined in the Annexes of Directive 2011/65/EU (RoHS2). Finished electrical and electronic equipment products will be CE marked as required by Directive 2011/65/EU. Components may not be CE marked. Additionally, the part numbers that TE has identified as EU ELV compliant have a maximum concentration of 0.1% by weight in homogenous materials for lead, hexavalent chromium, and mercury, and 0.01% for cadmium, or qualify for an exemption to these limits as defined in the Annexes of Directive 2000/53/EC (ELV). Regarding the REACH Regulation, the information TE provides on SVHC in articles for this part number is based on the latest European Chemicals Agency (ECHA) 'Guidance on requirements for substances in articles' posted at this URL: <https://echa.europa.eu/guidance-documents/guidance-on-reach>

Compatible Parts



TE Part # 5-1579007-3
EXTRACTION TOOL



TE Part # 2305570-1
TERMINAL CUTTER, SIDE FEED



TE Part # 7-1452656-1
MCON 1.2 LL REC SRC SN



TE Part # CAT-LMPH9507
LOW & MEDIUM POWER HEADER



TE Part # CAT-M4595-CH8172
MCON, CONNECTOR HOUSING



TE Part # 2-2151300-1
OCEAN_2.0_APPLICATOR-S-055F072SP



TE Part # 2-2151300-2
OCEAN_2.0_APPLICATOR-S-055F072SP



TE Part # 2-4151005-1
APPLICATOR TO MAKE LOOSE PIECE TERMINALS



TE Part # 2-4151005-2
APPLICATOR TO MAKE LOOSE PIECE TERMINALS



TE Part # 2151300-1
OCEAN_2.0_APPLICATOR-S-055F072SP



TE Part # 2151300-2
OCEAN_2.0_APPLICATOR-S-055F072SP



TE Part # 2366066-1
48POS,MCON 1.2,TAB HSG ASSY, UNSLD,COD A




TE Part # 2366066-2
48POS, MCON 1.2, TAB HSG ASSY,
UNSLD, COD B



TE Part # 2366066-3
48POS, MCON 1.2, TAB HSG ASSY,
UNSLD, COD C



TE Part # 2366066-4
48POS, MCON 1.2, TAB HSG ASSY,
UNSLD, COD D



TE Part # 4151005-1
APPLICATOR TO MAKE LOOSE
PIECE TERMINALS



TE Part # 4151005-2
APPLICATOR TO MAKE LOOSE
PIECE TERMINALS



TE Part # 5-2151300-1
OCEAN_2.0_APPLICATOR-S-
055F072SP



TE Part # 5-2151300-2
OCEAN_2.0_APPLICATOR-S-
055F072SP

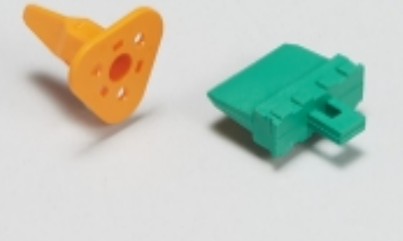


TE Part # 6-1579018-1
EXTRACTION TOOL


Also in the Series | MCON Interconnection System



Automotive Connector Caps & Covers
(24)




Automotive Connector Locks &
Position Assurance(11)




Automotive Housings(288)




Automotive Seals & Cavity Plugs(4)



Automotive Terminals(113)



Insertion & Extraction Tools(31)




Other Automotive Connector
Accessories(6)



PCB Headers & Receptacles(1)

Customers Also Bought



TE Part #1801610-1
BULK HEAD, MCON, 10W, CLIPPED



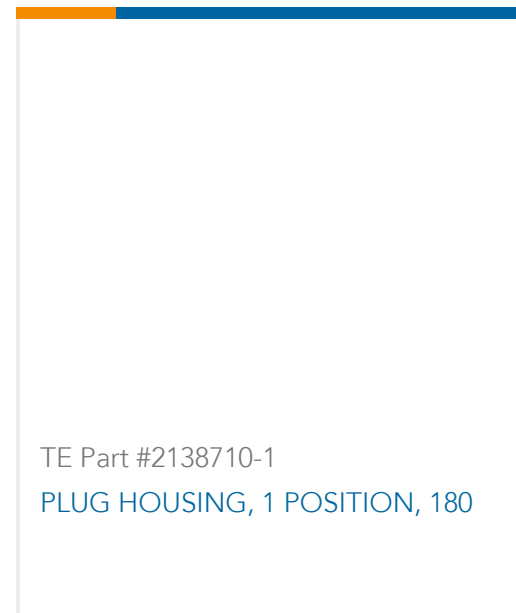
TE Part #1564982-1
AMP MCP, RECEPTACLE AND TAB



TE Part #7-1452656-2
MCON, RECEPTACLE AND TAB



TE Part #5-963716-1
MQSO,63 Sn tab LL unseal. 0,5-0,75



Documents

Product Drawings

[MCON 1.2 LL TAB STC SN](#)

English

CAD Files

Customer View Model

[ENG_CVM_CVM_5-1418760-1_A.2d_dxf.zip](#)

English

[3D PDF](#)

3D

Customer View Model

[ENG_CVM_CVM_5-1418760-1_A.3d_igs.zip](#)

English

Customer View Model

[ENG_CVM_CVM_5-1418760-1_A.3d_stp.zip](#)

English

By downloading the CAD file I accept and agree to the [Terms and Conditions](#) of use.

Datasheets & Catalog Pages

[MCON Interconnection System](#)

English

Product Specifications

[Product Specification](#)

English

Product Environmental Compliance

[Product Compliance](#)

English

[Product Compliance](#)

English