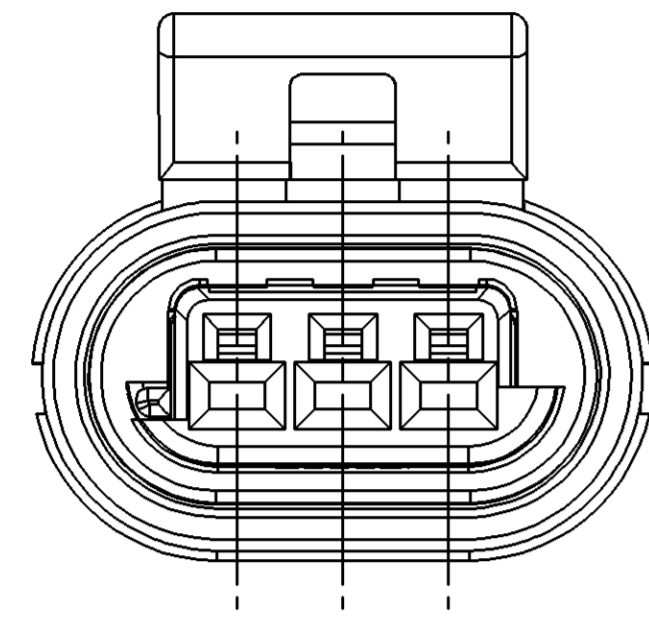
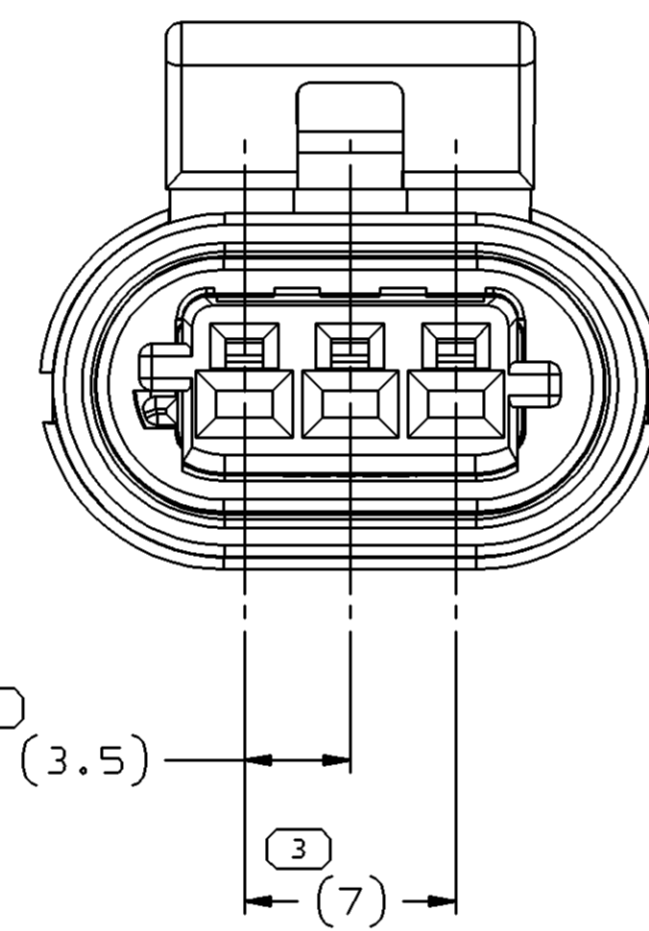
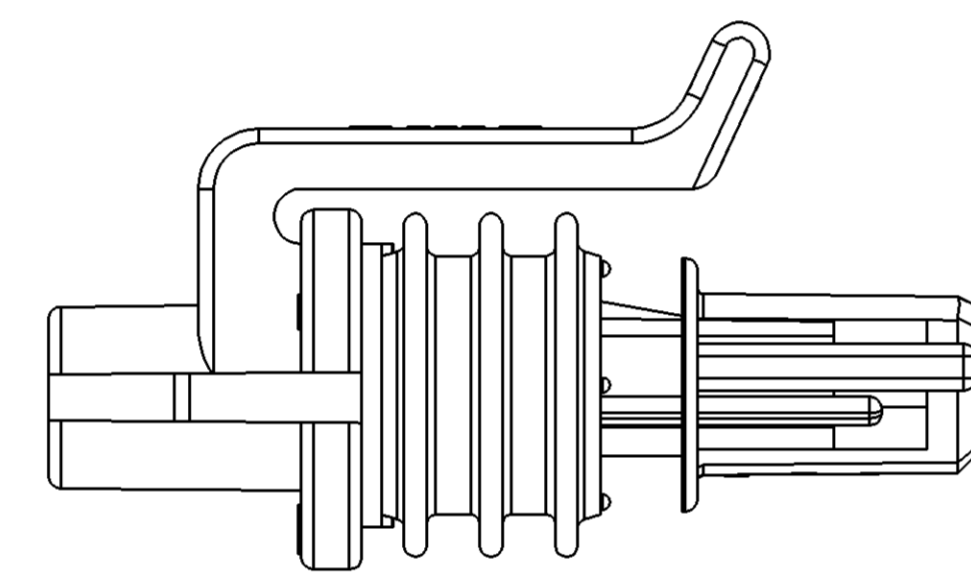
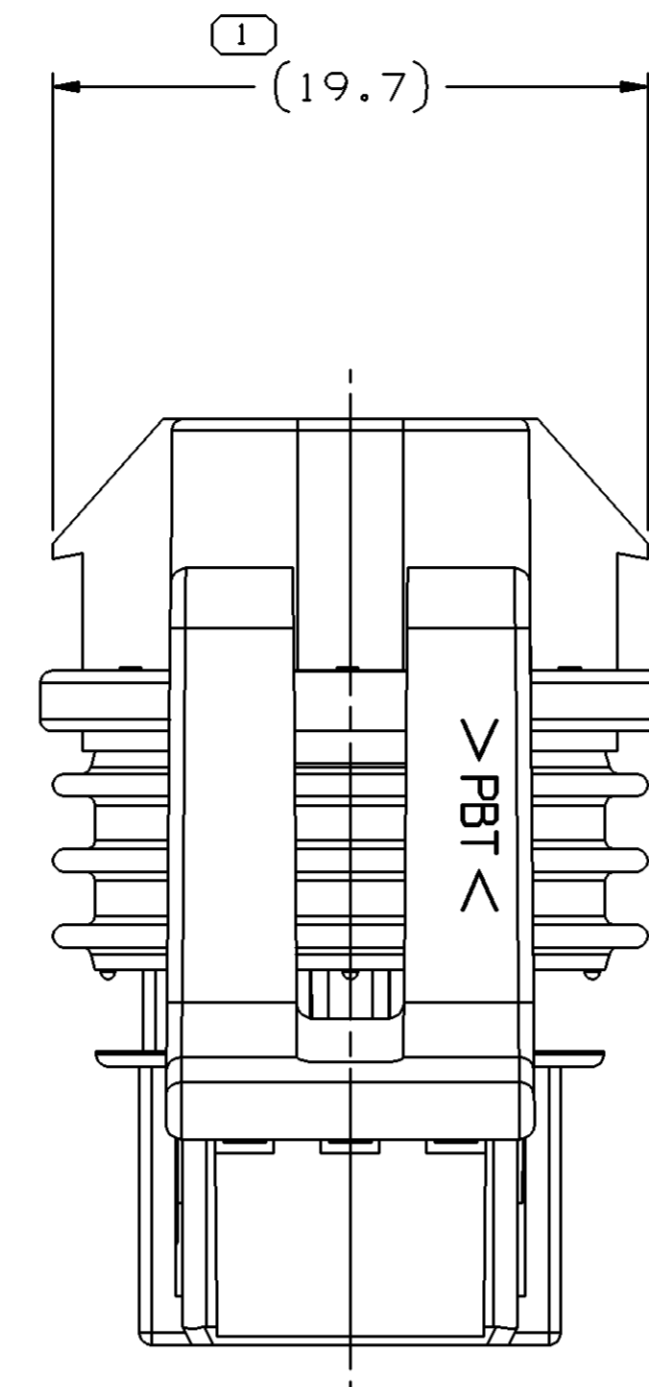


SYMBOL DEFINITION		TOTAL NO OF INSPECTIONS REQUIRED	
A DIMENSION WITHOUT AN INSPECTION REPORT SYMBOL DOES NOT REQUIRE INSPECTION. IT MAY BE CONTROLLED ON THE INDIVIDUAL COMPONENT DRAWING.		11	
	LAST NO. USED	18	

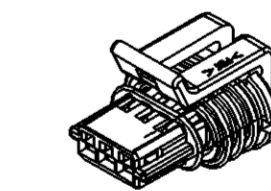
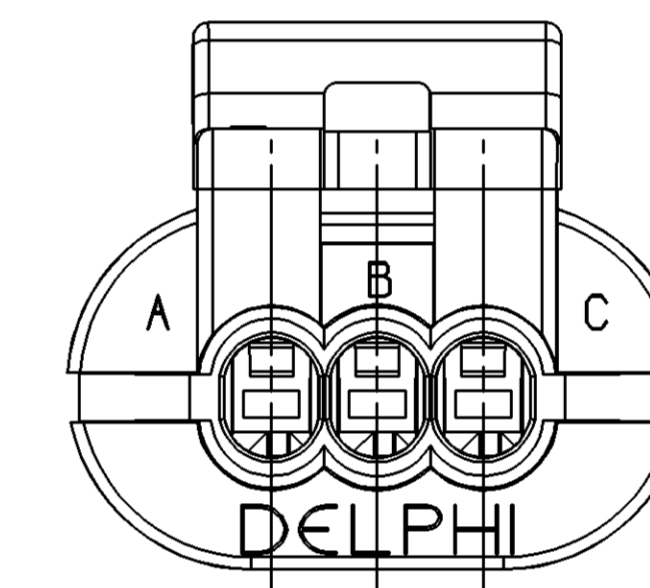
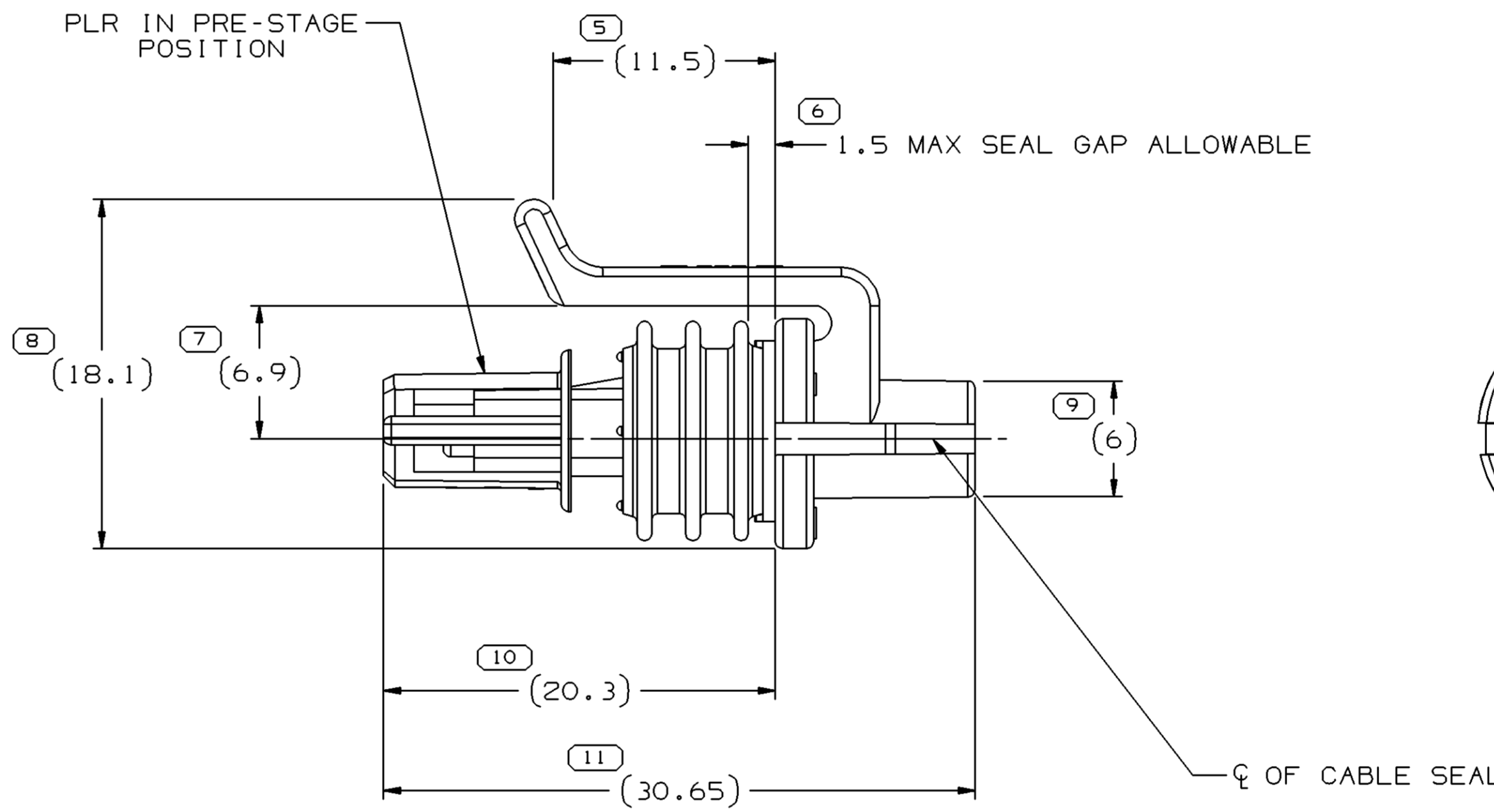
DWO STATUS						REVISION HISTORY				AUTH		
DATE	STG	REV	N/P	CHG	ZONE					DR	APVD	APVD
31MR04	R	01	-	-		15491547 - RELEASED 15373426 - WAS SINGLE PART DRAWING				253557	ADK	ADK
15JL04	R	02	-	-		15491547 - UPDATED PDM ATTRIBUTES				256846	HAM	HAM/MAC
14AU04	R	03	-	-		15491547 - CONNECTOR SEAL WAS 12047908; MATING CONF 18. WAS 15336119; REVISED GRAPHICS				257718	ADK	ADK



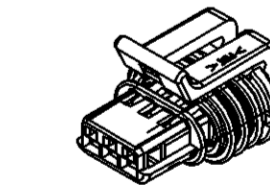
TYPE 102  
SAME AS TYPE 101  
EXCEPT AS SHOWN



TYPE 101



TYPE 101



TYPE 102

NOTES

- UNLESS OTHERWISE SPECIFIED AND/OR INDICATED: DIMENSIONS ARE TO FACE OF VIEW SHOWN AND AUTOMATICALLY ROUNDED BY COMPUTER FOR INSPECTION (SEE MATH MODEL FOR PRECISE DIMENSIONS). FOR ALL OTHER DIMENSIONS NOT SHOWN BUT REQUIRED FOR TOOL BUILD, SEE MATH MODEL FOR PRECISE TOOL PATH DATA.
- THIS PART IS NOT CONTROLLED FOR AUTOMATIC FEEDING.
- REFERENCE MATING COMPONENTS OR EQUIVALENT:  
 TERMINAL POSITION ASSURANCE 15373418  
 CAVITY PLUG 15305169  
 TERMINAL 15326266 (0.35MM-0.5MM)  
 15326267 (0.8MM)  
 CABLE SEAL 15366022 (0.35MM-0.5MM)  
 15305351 (0.8MM)

PART NO	REV	N/P	STATUS	TYPE	CONNECTOR	PLR	SEAL	MATING CONFIG.
15491547	02	-		102	15373425	15336118	15355369	15336119
15373426	01	AA		101	15373425	15326555	12047908	15326699

DIMENSIONAL RANGE (MM)		TOLERANCE	
FROM	TO	±	ANGULAR TOLERANCE (°)
0	> 20	> 30	> 70
20	30	70	100
30	70	100	
70	100		
100			

DWO TYPE		PART DRAWING	
STYLE		DISTR CODE	D
VOLUME (CM³)			

UNLESS OTHERWISE SPECIFIED			
THIS DOCUMENT IS IN ACCORDANCE WITH ASME Y14.5M-1994 AS AMENDED BY THE 2003 DIMENSIONING AND TOLERANCING ADDENDUM - 1997. ALL GEOMETRIC TOLERANCES AND RELATED SURFACE APPLICABLE TO PERFECT FORM UNLESS OTHERWISE SPECIFIED. DIMENSIONS ARE IN MILLIMETERS UNLESS OTHERWISE SPECIFIED. DIMENSIONS ARE IN MILLIMETERS UNLESS OTHERWISE SPECIFIED.			
THIRD ANGLE PROJECTION	DO NOT SCALE	USE MATH DATA	UNSPRINGS

**DELPHI**  
DELPHI PACKARD ELECTRIC SYSTEMS  
WARREN, OH

DR	DATE
APVD1 ADAM D. KIMBERLIN	31MR04
APVD2 ADAM D. KIMBERLIN	31MR04
APVD3 MAL CULP	31MR04
APVD4	
APVD5	

UNLESS OTHERWISE SPECIFIED  
SUBSTANCES OF CONCERN AND RECYCLED CONTENT PER DELPHI 10949001

UNLESS OTHERWISE SPECIFIED  
SUBSTANCES OF CONCERN AND RECYCLED CONTENT PER DELPHI 10949001

DRAWING NAME  
TAXI ASM CONN 3 F GT 150 SLD

DRAWING NUMBER  
15491548

SIZE A0 SCALE 4:1 FRAME NO 1 OF 1 SHEET NO 1 OF 1 REV 03