



MQS

TE Internal #: 5-965908-1

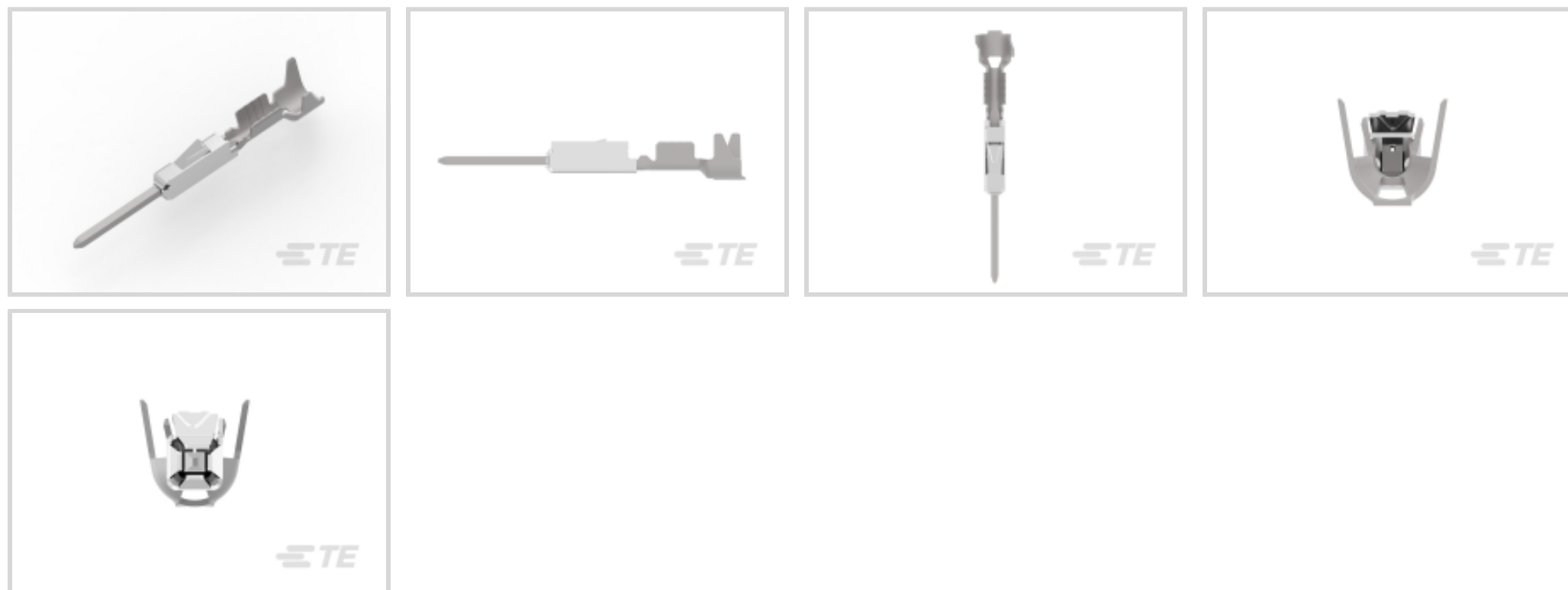
Automotive Terminals, Tab, Mating Tab Width .63 mm [.025 in], Tab

Thickness .025 in [.63 mm], 20 – 18 AWG Wire Size, .5 – .75 mm²

Wire Size, MQS

[View on TE.com >](#)

Terminals & Splices > Automotive Terminals > MQS, RECEPTACLE AND TAB



Terminal Type: **Tab**

Mating Tab Width: **.63 mm [.025 in]**

Mating Tab Thickness: **.63 mm [.025 in]**

Terminal Transmits: **0 – 24 A (Low Power)**

Wire Size: **20 – 18 AWG**

[All MQS, RECEPTACLE AND TAB \(125\)](#)

Features

Product Type Features

Receptacle Style	180°
Sealable	Yes
Primary Locking Feature	Locking Lance

Body Features

Terminal Seal Type	Single Wire Seal (SWS)
--------------------	------------------------

Contact Features

Typical Current Rating	7.5 A
Crimp Type	F-Crimp
Terminal Type	Tab
Mating Tab Width	.63 mm [.025 in]
Mating Tab Thickness	.63 mm [.025 in]
Interface Plating	Tin (Sn)



Contact Termination Area Plating Material	Tin (Sn)
---	----------

Termination Features

Termination Method to Wire & Cable	Crimp
Product Terminates To	Wire

Dimensions

Wire Size	.5 – .75 mm ²
Wire Size Search	18 AWG, 19 AWG, 20 AWG
Wire Insulation Diameter	1.3 – 1.9 mm [.051 – .074 in]

Usage Conditions

Insulation Option	Uninsulated
Operating Temperature (Max)	80 °C, 85 °C, 90 °C, 100 °C, 105 °C, 110 °C, 120 °C [176 °F][185 °F][194 °F][212 °F][221 °F][230 °F][248 °F]
Operating Temperature Range	-40 – 120 °C [-40 – 248 °F]

Operation/Application

Compatible With Wire Base Material	Copper
------------------------------------	--------

Industry Standards

Agency/Standard	LV214
-----------------	-------

Packaging Features

Packaging Method	Reel
Packaging Quantity	9000

Other

Terminal Transmits	0 – 24 A (Low Power)
--------------------	----------------------

Product Compliance

For compliance documentation, visit the product page on [TE.com](https://www.te.com)>

EU RoHS Directive 2011/65/EU	Compliant
EU ELV Directive 2000/53/EC	Compliant
China RoHS 2 Directive MIIT Order No 32, 2016	No Restricted Materials Above Threshold
EU REACH Regulation (EC) No. 1907/2006	Current ECHA Candidate List: JAN 2022 (223) Candidate List Declared Against: JAN 2022 (223) Does not contain REACH SVHC

Halogen Content

Low Halogen - Br, Cl, F, I < 900 ppm per homogenous material. Also BFR/CFR/PVC Free

Solder Process Capability

Not reviewed for solder process capability

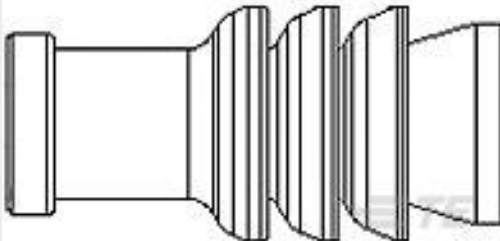
Product Compliance Disclaimer

This information is provided based on reasonable inquiry of our suppliers and represents our current actual knowledge based on the information they provided. This information is subject to change. The part numbers that TE has identified as EU RoHS compliant have a maximum concentration of 0.1% by weight in homogenous materials for lead, hexavalent chromium, mercury, PBB, PBDE, DBP, BBP, DEHP, DIBP, and 0.01% for cadmium, or qualify for an exemption to these limits as defined in the Annexes of Directive 2011/65/EU (RoHS2). Finished electrical and electronic equipment products will be CE marked as required by Directive 2011/65/EU. Components may not be CE marked. Additionally, the part numbers that TE has identified as EU ELV compliant have a maximum concentration of 0.1% by weight in homogenous materials for lead, hexavalent chromium, and mercury, and 0.01% for cadmium, or qualify for an exemption to these limits as defined in the Annexes of Directive 2000/53/EC (ELV). Regarding the REACH Regulation, the information TE provides on SVHC in articles for this part number is based on the latest European Chemicals Agency (ECHA) 'Guidance on requirements for substances in articles' posted at this URL: <https://echa.europa.eu/guidance-documents/guidance-on-reach>

Compatible Parts



TE Part # 6-1579007-1
EXTRACTION TOOL



TE Part # 963142-1
MQS SINGLE-WIRE SEAL FOR 4MM



TE Part # 2305570-1
TERMINAL CUTTER, SIDE FEED



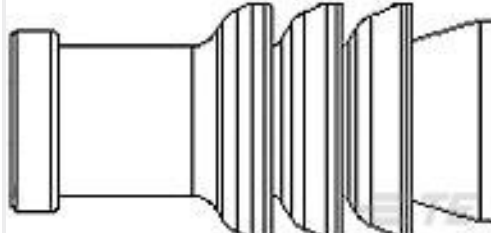
TE Part # CAT-M8793-CH8172
MQS, CONNECTOR HOUSING



TE Part # 6-1579008-9
LOCKING TOOL



TE Part # 7-1579007-9
EXTRACTION TOOL



TE Part # 967067-1
MQS SGL WIRE SEAL



TE Part # 8-1579007-4
EXTRACTION TOOL



TE Part # 1-1579018-5
EXTRACTION TOOL



TE Part # 1-967067-1
MQS SGL WIRE SEAL



TE Part # 2-2151038-1
OCEAN_2.0-APPLICATOR-S-055F1140



TE Part # 2-2151038-2
OCEAN_2.0-APPLICATOR-S-055F1140



TE Part # 2063530-1
SDE MQS 0.5-0.75mm2 ASSY



TE Part # 2063530-2
SDE MQS 0.5-0.75mm2 DIE SET



TE Part # 2151038-1
OCEAN_2.0_APPLICATOR-S-055F114O



TE Part # 2151038-2
OCEAN_2.0_APPLICATOR-S-055F114O



TE Part # 5-2151038-1
OCEAN_2.0_APPLICATOR-S-055F114O



TE Part # 5-2151038-2
OCEAN_2.0_APPLICATOR-S-055F114O



TE Part # 7-1579008-0
LOCKING TOOL



TE Part # 7-1579008-1
LOCKING TOOL

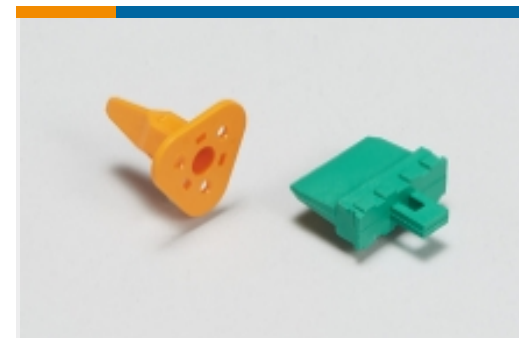
Also in the Series | MQS



Automotive Connector Caps & Covers (131)



Automotive Connector EMC Shielding (2)



Automotive Connector Locks & Position Assurance (29)



Automotive Housings (489)



Automotive Seals & Cavity Plugs (26)



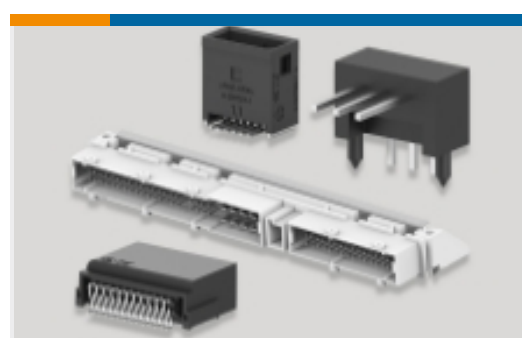
Automotive Terminals (96)



Insertion & Extraction Tools (42)

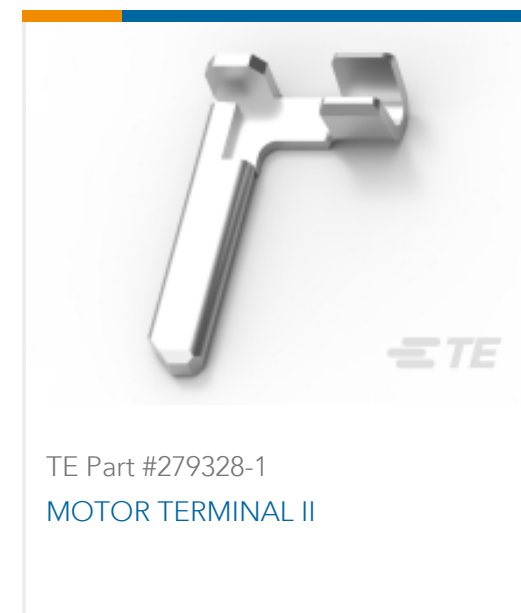


Other Automotive Connector Accessories (13)



PCB Headers & Receptacles (206)

Customers Also Bought



Documents

Product Drawings

MQS0,63 Sn tab LL EDS 0,5-0,75

English

CAD Files

3D PDF

3D

Customer View Model

[ENG_CVM_CVM_5-965908-1_D.2d_dxf.zip](#)

English

Customer View Model

[ENG_CVM_CVM_5-965908-1_D.3d_igs.zip](#)

English

Customer View Model

[ENG_CVM_CVM_5-965908-1_D.3d_stp.zip](#)

English

By downloading the CAD file I accept and agree to the [Terms and Conditions](#) of use.

Datasheets & Catalog Pages



Micro Quadlok Interconnection System (MQS)

English

Product Specifications

Application Specification

German

Application Specification

English

Product Environmental Compliance

Product Compliance

English

Product Compliance

English