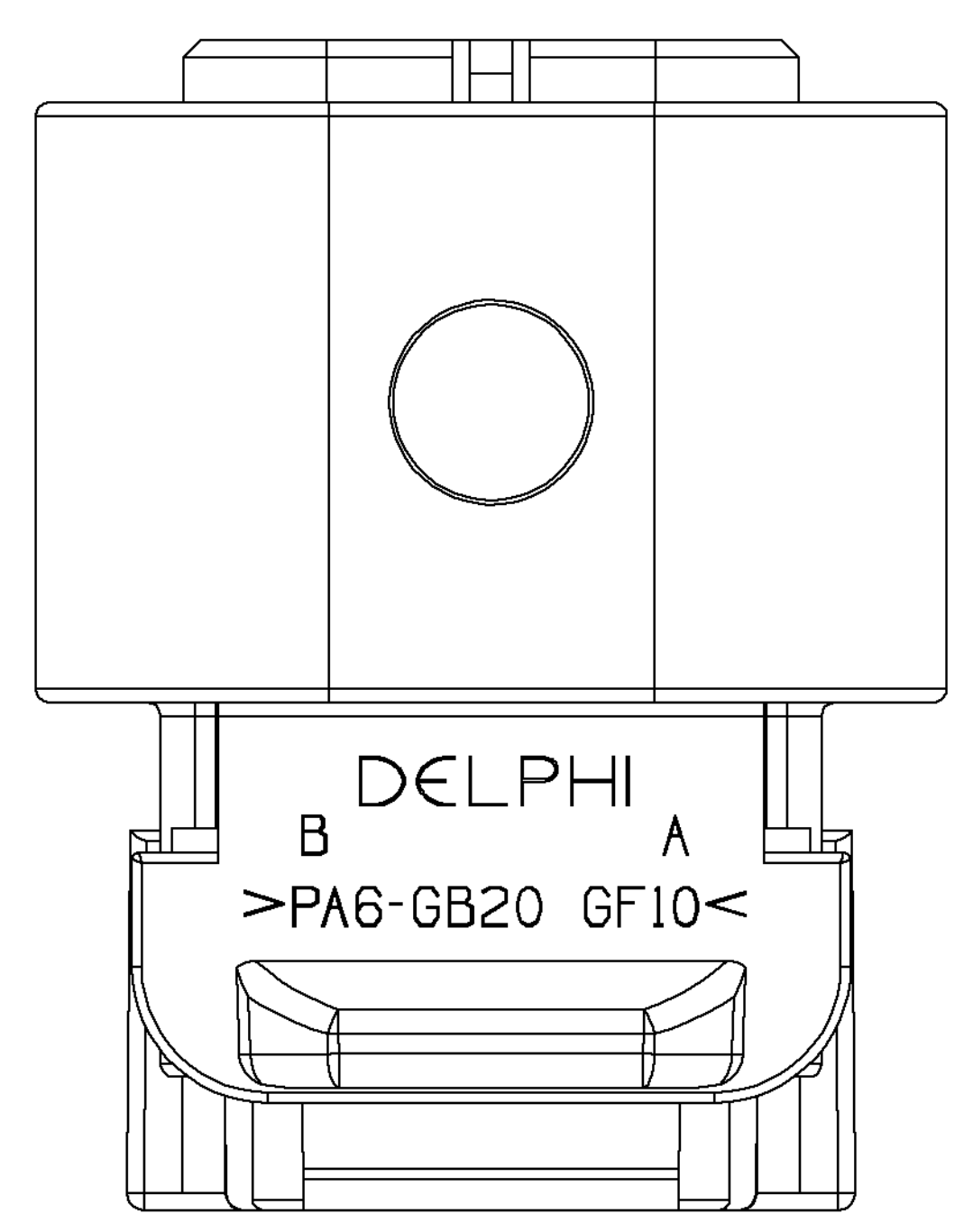
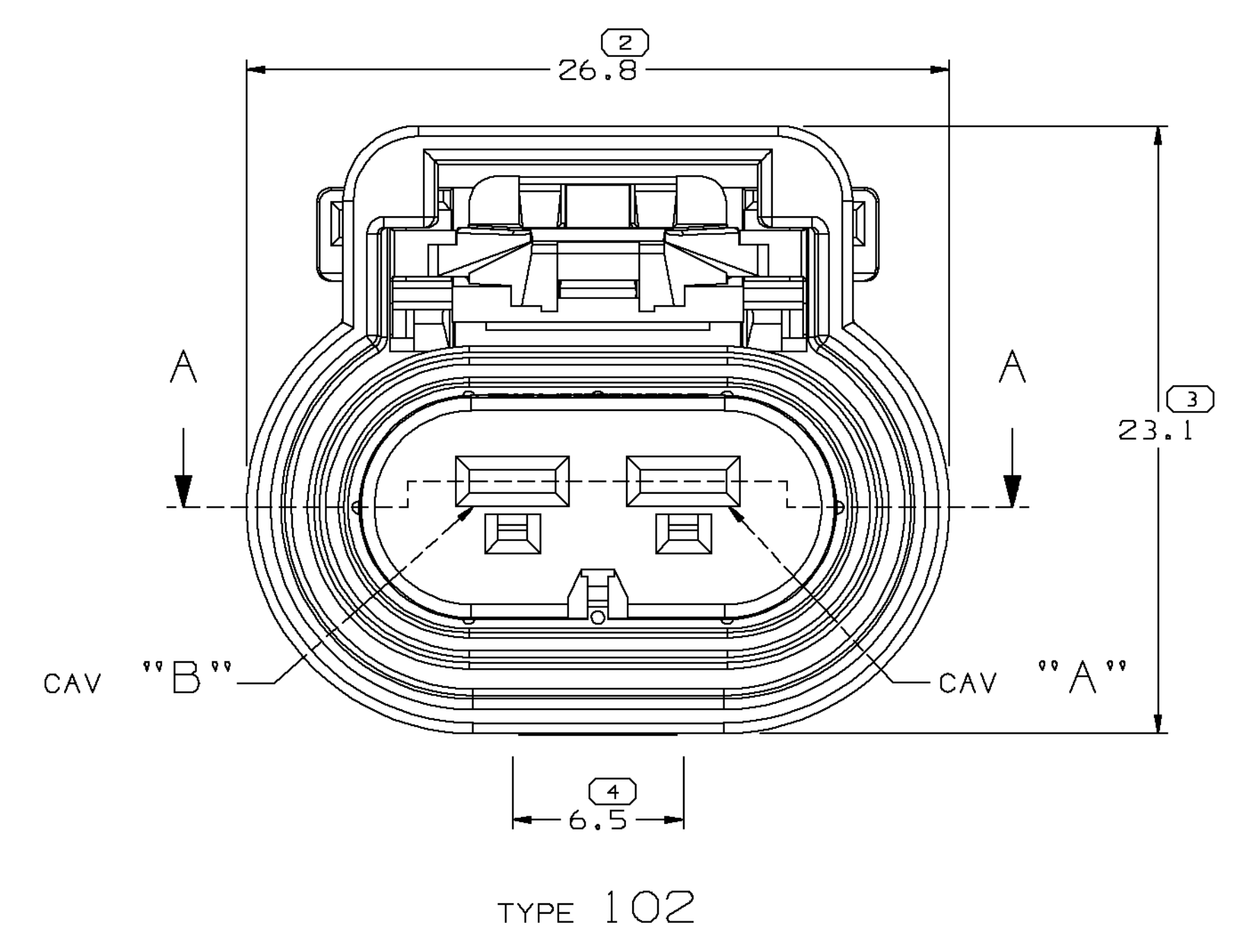
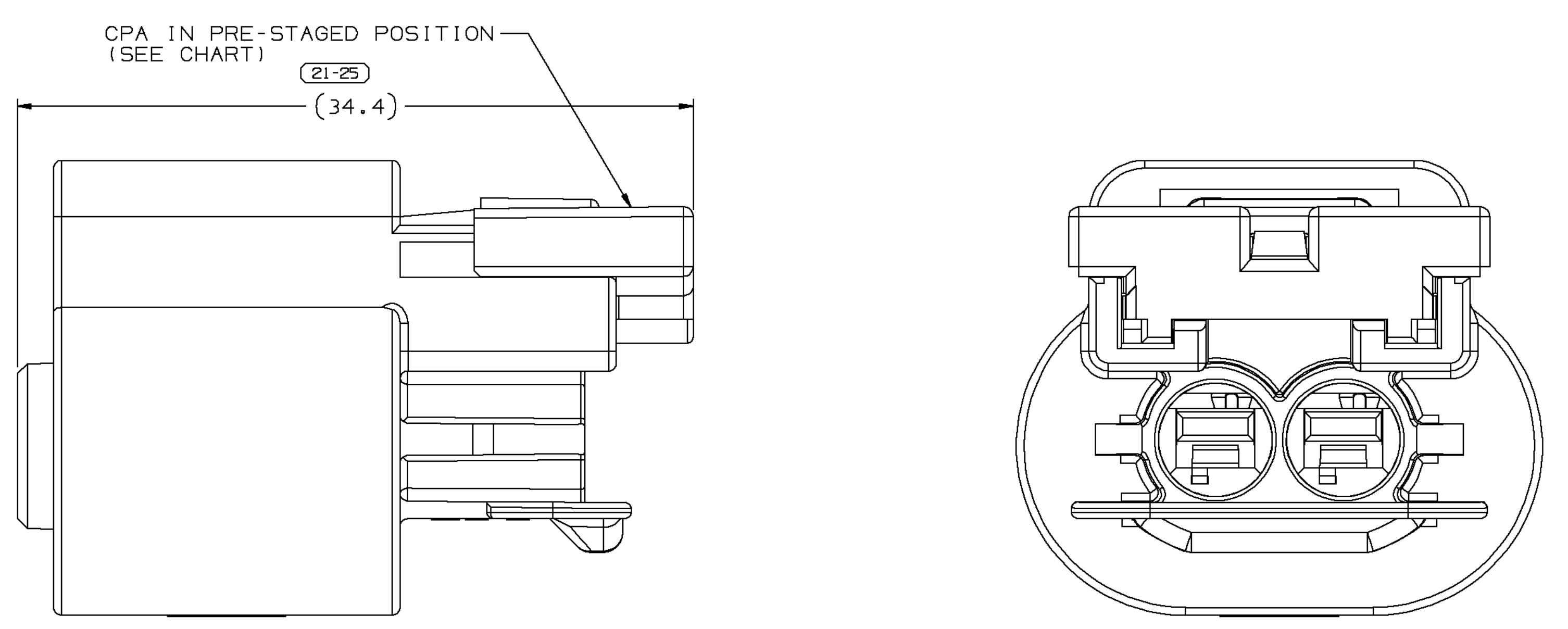
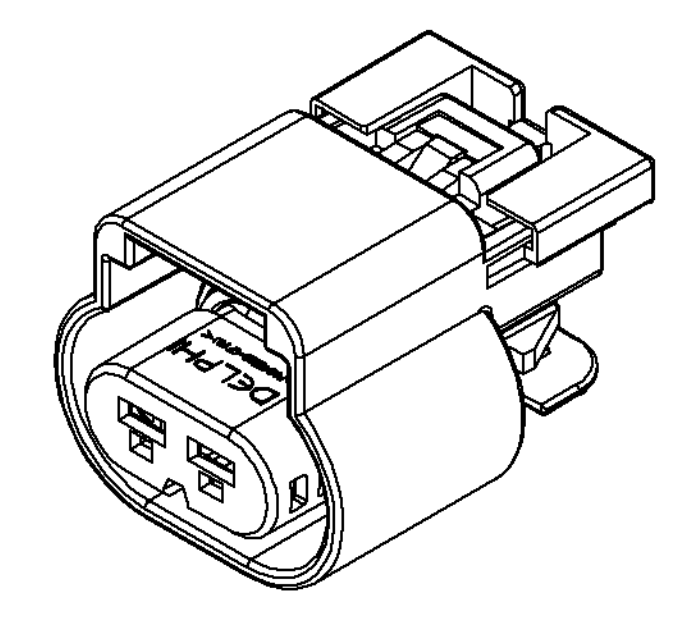
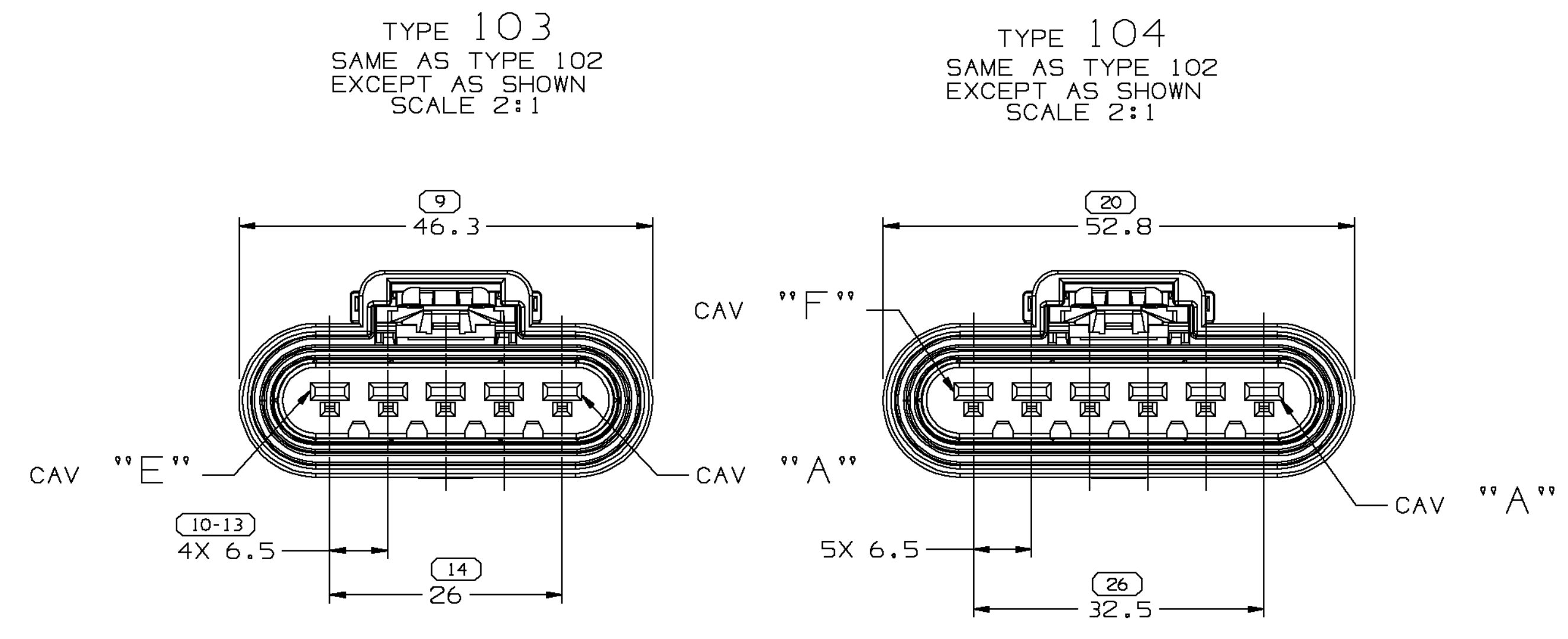
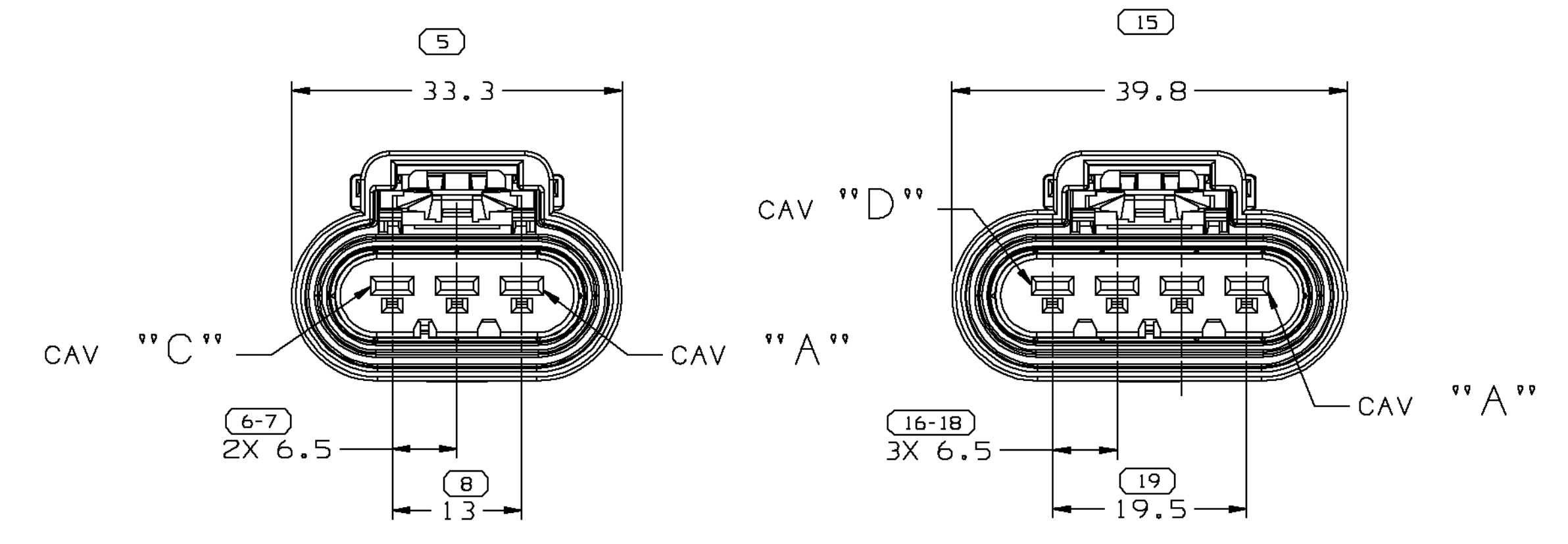
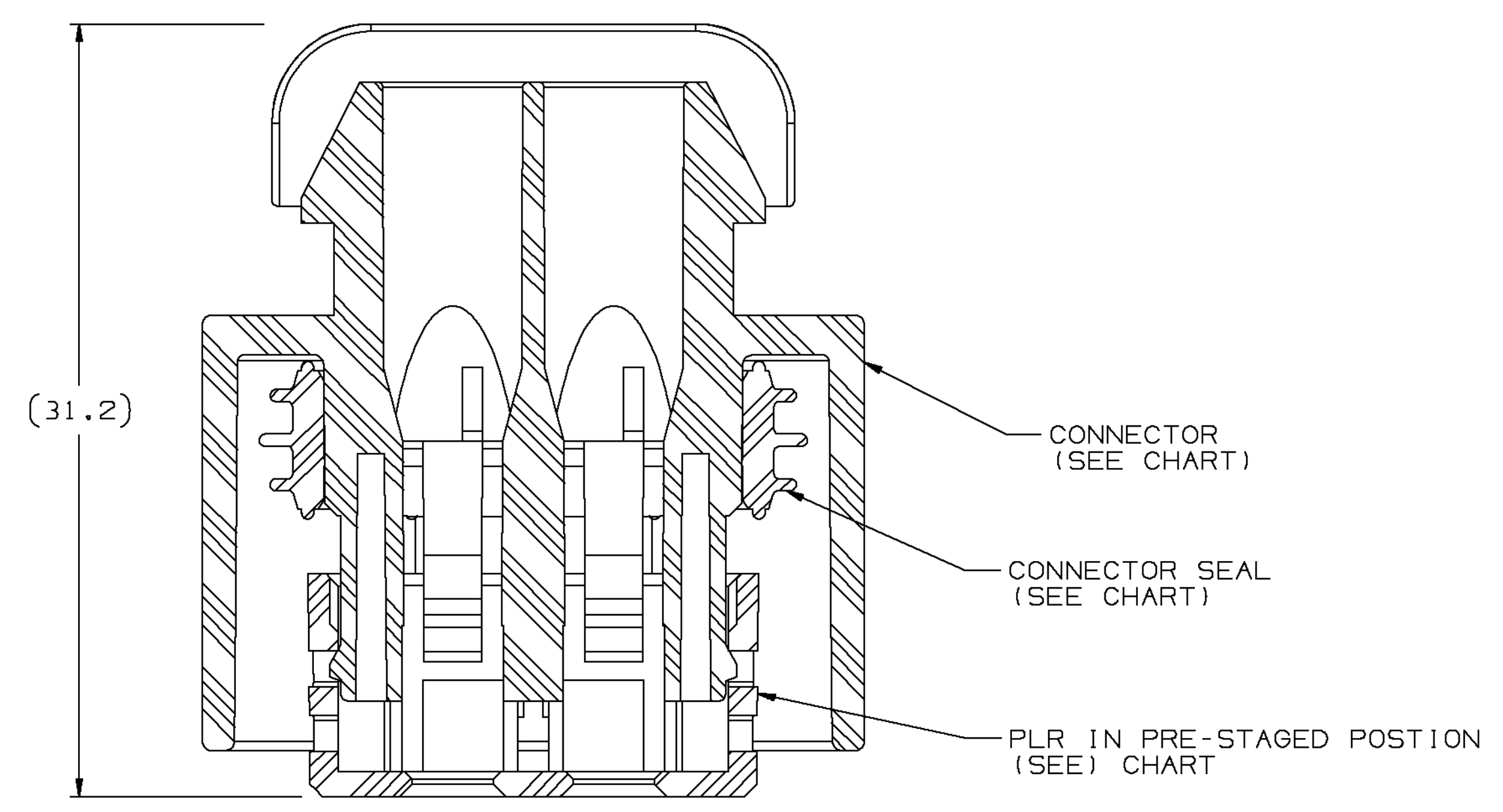


SYMBOL DEFINITION		MISSING NUMBERS		DWG STATUS			REVISION HISTORY			AUTH			
THE NUMBER INSIDE THE SYMBOL CORRESPONDS TO THE NUMBER ON THE INSPECTION REPORT FOR THIS DRAWING/PART NUMBER	TOTAL NO. OF SYMBOLS ON DRAWING	DATE	STG	REV	CHG	N/P	ZONE	DATE	STG	REV	CHG	N/P	ZONE
	16	31AU99	R	001	-	-							
	26	05MY00	R	002	-	-							
		19DE00	R	003	-	-							



- NOTES:
- UNLESS OTHERWISE SPECIFIED AND/OR INDICATED: DIMENSIONS ARE TO FACE OF VIEW SHOWN AND AUTOMATICALLY ROUNDED BY COMPUTER FOR INSPECTION. (SEE MATH MODEL FOR PRECISE DIMENSION) FOR ALL OTHER DIMENSIONS NOT SHOWN BUT REQUIRED FOR TOOL BUILD, SEE MATH MODEL FOR PRECISE TOOL PATH DATA.
 - MATING COMPONENTS: ACCEPTS TERMINAL 15304718 OR EQUIVALENT ACCEPTS CABLE SEAL 12191232 OR EQUIVALENT
PLASTIC MATING ASSEMBLIES: SEE CHART

PART NO	REV	N/P	TYPE	CONNECTOR	PLR	CPA	CONN SEAL	MATING CONN ASM'S	CONFIG REQ INFORMATION
15326636			AA	106	15326634 / ID406212	15326637 / ID406211	15317832	15326638 / ID406209	15326640 / ID406215
15326643			AA	105	15326641 / ID406205	15326644 / ID406204	15317832	15326645 / ID406203	15326647 / ID406208
15326632			AA	104	15326627 / ID406197	15326628 / ID406196	15317832	15326630 / ID406273	15326633 / ID406201
15326615			AA	103	15326610 / ID406190	15326611 / ID406188	15317832	15326612 / ID406187	15326623 / ID406193
15326677			AA	102	15326681 / ID406183	15326680 / ID406182	15317832	15326310 / ID406181	15326678 / ID406186

DELPHI Automotive Systems		DIMENSIONAL RANGE	
MATERIAL SPEC SEE DRAWING		FROM	TO
		0	> 20
		> 20	> 30
		> 30	> 70
		> 70	> 100
		TOLERANCE UNLESS OTHERWISE SPECIFIED	
		10.15 (+0.2 / -0.3) (+0.4 / -0.5)	
		ANGULAR TOLERANCE: ± 2°	
PART DRAWING			
CODE NUMBER	DWG DATE	SCALE	DISTR CODE
6900	31AU99	5:1	D
OC SPEC	STYLE	VOLUME cm³	
6900			
PART GEOMETRY	UNLESS OTHERWISE SPECIFIED:		
3D SOLID	PERFECT FORM REQUIRED FOR FEATURES OF SIZE AT MMC. TRUE POSITION TOLERANCES AND RELATED DATUMS APPLY AT CONDITION OF SIZE INDICATED IN FEATURE CONTROL FRAME. ALL OTHER GEOMETRIC TOLERANCES AND RELATED DATUMS APPLY RFS. SEPARATE TRUE POSITION CALLOUTS MAY BE GAGED SEPARATELY, REGARDLESS OF DATUM REFERENCE.		
UG	CHANGE RESTRICTED NO MANUAL CHANGES		
COPY OF MATH DATA DO NOT SCALE	REFERENCE	DR	DATE
	001	APVD1 J. BANKSTON	31AU99
		APVD2 J. BANKSTON	31AU99
		APVD3 J. SVETTE	01SE00
		APVD4	
		APVD5	
METRIC UNLESS OTHERWISE SPECIFIED, ALL DIMENSIONS ARE IN MILLIMETERS	DRAWING NAME		
	TAXI ASM CONN F GT 280 SLD		
THIRD ANGLE PROJECTION	SHEET NUMBER		
	1 OF 1		
DRAWING NUMBER		DWG STATUS	
15326988		R 003	
		SIZE	
		A0	

(3) PROCESS SENSITIVE DIMENSION
DIMENSIONS ENCLOSED IN () INDICATE REFERENCE DIMENSIONS AND NO TOLERANCE LIMITS ARE ESTABLISHED