

1411001-1 ✓ ACTIVE

Get .64 Connector System

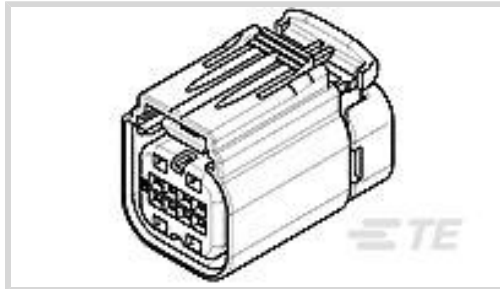
TE Internal #: 1411001-1

Housing for Female Terminals, Wire-to-Board / Wire-to-Device / Wire-to-Wire, 8 Position, .1 in [2.54 mm] Centerline, Get .64 Connector System

[View on TE.com >](#)



Connectors > Automotive Connectors > Connector Housings > GET .64 CONNECTOR SYSTEM, CONNECTOR HSG



Connector & Housing Type: **Housing for Female Terminals**

Mating Tab Width: **.64 mm [.025 in]**

Connector System: **Wire-to-Board, Wire-to-Device, Wire-to-Wire**

Number of Positions: **8**

Centerline (Pitch): **2.54 mm [.1 in]**

[All GET .64 CONNECTOR SYSTEM, CONNECTOR HSG \(106\)](#)

Features

Product Type Features

Connector & Housing Shape	Rectangular
Connector & Housing Type	Housing for Female Terminals
Connector System	Wire-to-Board, Wire-to-Device, Wire-to-Wire
Sealable	Yes
Hybrid Connector	No
Primary Locking Feature	Integrated in Housing

Configuration Features

Blank Cavity Position	4, 8
Number of Positions	8
Number of Rows	2

Body Features

Cable Exit Angle	180°
Body Material	PA GF
Primary Product Color	Black
Connector Code	B

Contact Features



Contact Size	.64mm
Contact Type	Receptacle
Mating Tab Width	.64 mm[.025 in]

Mechanical Attachment

Mounting Feature	Without
Terminal Position Assurance	Yes
Strain Relief	Without
Mating Alignment Type	Keyed
Mating Alignment	With
Connector Mounting Type	Cable Mount (Free-Hanging)

Housing Features

Centerline (Pitch)	2.54 mm[.1 in]
--------------------	----------------

Dimensions

Product Width	19.4 mm[.764 in]
Product Length	31.4 mm[1.236 in]
Product Height	23.8 mm[.937 in]
Row-to-Row Spacing	5.5 mm[.217 in]

Usage Conditions

Operating Temperature (Max)	70 °C, 75 °C, 80 °C, 85 °C, 90 °C, 100 °C, 105 °C, 110 °C, 120 °C, 125 °C[158 °F][167 °F][176 °F][185 °F][194 °F][212 °F][221 °F][230 °F][248 °F][257 °F]
Operating Temperature Range	-40 – 125 °C[-40 – 257 °F]

Operation/Application

Circuit Application	Signal
---------------------	--------

Industry Standards

Degree of Protection	IP67
----------------------	------

Packaging Features

Packaging Quantity	600
Packaging Method	Package

Other

Serviceable	Yes
Connector Position Assurance Capable	No

Product Compliance

[For compliance documentation, visit the product page on TE.com>](#)

EU RoHS Directive 2011/65/EU	Compliant
EU ELV Directive 2000/53/EC	Compliant
China RoHS 2 Directive MIIT Order No 32, 2016	No Restricted Materials Above Threshold
EU REACH Regulation (EC) No. 1907/2006	Current ECHA Candidate List: JAN 2022 (223) Candidate List Declared Against: JAN 2022 (223) Does not contain REACH SVHC
Halogen Content	Low Halogen - Br, Cl, F, I < 900 ppm per homogenous material. Also BFR/CFR/PVC Free
Solder Process Capability	Not applicable for solder process capability

Product Compliance Disclaimer

This information is provided based on reasonable inquiry of our suppliers and represents our current actual knowledge based on the information they provided. This information is subject to change. The part numbers that TE has identified as EU RoHS compliant have a maximum concentration of 0.1% by weight in homogenous materials for lead, hexavalent chromium, mercury, PBB, PBDE, DBP, BBP, DEHP, DIBP, and 0.01% for cadmium, or qualify for an exemption to these limits as defined in the Annexes of Directive 2011/65/EU (RoHS2). Finished electrical and electronic equipment products will be CE marked as required by Directive 2011/65/EU. Components may not be CE marked. Additionally, the part numbers that TE has identified as EU ELV compliant have a maximum concentration of 0.1% by weight in homogenous materials for lead, hexavalent chromium, and mercury, and 0.01% for cadmium, or qualify for an exemption to these limits as defined in the Annexes of Directive 2000/53/EC (ELV). Regarding the REACH Regulation, the information TE provides on SVHC in articles for this part number is based on the latest European Chemicals Agency (ECHA) 'Guidance on requirements for substances in articles' posted at this URL: <https://echa.europa.eu/guidance-documents/guidance-on-reach>

Compatible Parts



Also in the Series | [Get .64 Connector System](#)



Automotive Connector Caps & Covers (7)



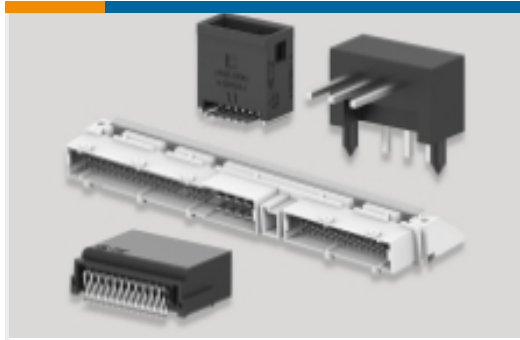
Automotive Housings(108)



Automotive Terminals(30)

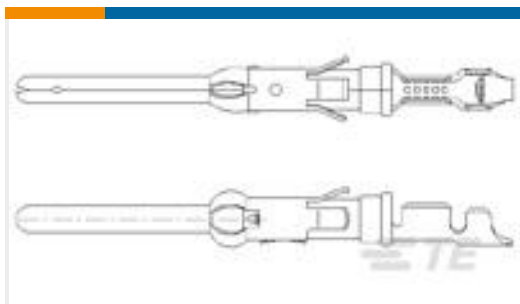


Insertion & Extraction Tools(1)



PCB Headers & Receptacles(1)

Customers Also Bought



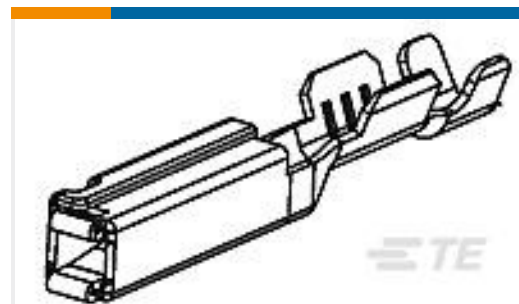
TE Part #163081-1
.062 DIA PIN ASSY 3+



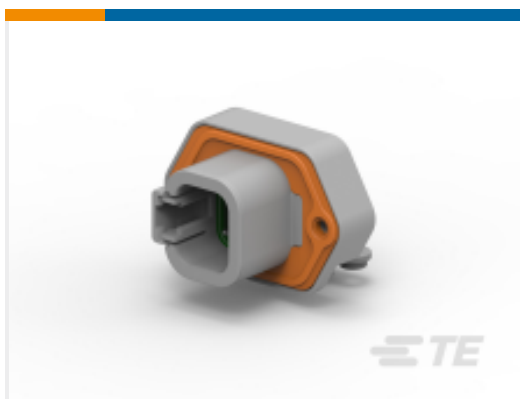
TE Part #1958192-1
PIDG 16-14 PVF2 WIRE PIN



TE Part #1958193-1
PIDG 12-10 PVF2 WIRE PIN



TE Part #1393366-1
V23540X7000Y 21=GET-FEM TERM S



TE Part #2297129-1
DTP13-4P-E028, HDR, 4P, GRY, RA,SN /NI/CU



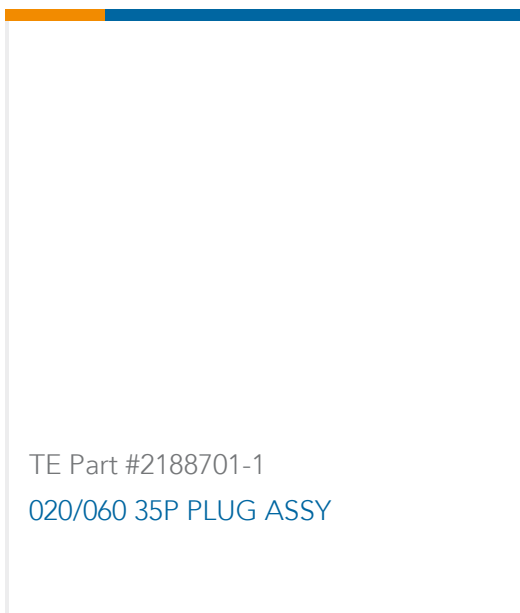
TE Part #1-2188225-2
020/060 28P PLUG ASSY(CODE A2)



TE Part #2188225-1
020/060 28P PLUG ASSY(CODE A1)



TE Part #2188698-1
020/060 38P PLUG ASSY



TE Part #2188701-1
020/060 35P PLUG ASSY

Documents



Product Drawings

[SEALED HARN ASSY W/O CPA KEY B](#)

English

[SEALED HARN ASSY W/O CPA KEY B](#)

English

CAD Files

[3D PDF](#)

3D

Customer View Model

[ENG_CVM_CVM_1411001-1_E.2d_dxf.zip](#)

English

Customer View Model

[ENG_CVM_CVM_1411001-1_E.3d_igs.zip](#)

English

Customer View Model

[ENG_CVM_CVM_1411001-1_E.3d_stp.zip](#)

English

By downloading the CAD file I accept and agree to the [Terms and Conditions](#) of use.

Datasheets & Catalog Pages

[GET 0.64 Interconnection System](#)

English

Product Specifications

[Application Specification](#)

English

Product Environmental Compliance

[Product Compliance](#)

English

[Product Compliance](#)

English

Instruction Sheets

[Instruction Sheet \(U.S.\)](#)

English