

1743793-1 ✓ ACTIVE

AMP | AMP MCP 9.5, AMP MCP Connector System

TE Internal #: 1743793-1

Housing for Female Terminals, Wire-to-Wire, 1 Position, Sealable, Black, Power, Cable Mount (Free-Hanging), Hybrid

[View on TE.com >](#)



Connectors > Automotive Connectors > Connector Housings > AMP MCP, UNSEALED CONNECTOR HOUSING



Connector & Housing Type: **Housing for Female Terminals**

Mating Tab Width: **9.5 mm [ .374 in ]**

Connector System: **Wire-to-Wire**

Number of Positions: **1**

Sealable: **Yes**

[All AMP MCP, UNSEALED CONNECTOR HOUSING \(187\)](#)

## Features

### Product Type Features

Connector & Housing Shape	Circular
Connector & Housing Type	Housing for Female Terminals
Connector System	Wire-to-Wire
Sealable	Yes
Hybrid Connector	No
Primary Locking Feature	On the Terminal

### Configuration Features

Number of Positions	1
Number of Rows	1

### Body Features

Cable Exit Angle	Other
Body Material	PA GF
Primary Product Color	Black



### Contact Features

Contact Size	9.5mm
Contact Type	Receptacle
Mating Tab Width	9.5 mm[.374 in]

### Mechanical Attachment

Mounting Feature	Without
Terminal Position Assurance	Yes
Mating Alignment Type	Polarization Slot
Mating Alignment	With
Connector Mounting Type	Cable Mount (Free-Hanging)

### Dimensions

Product Width	59 mm[2.322 in]
Product Length	34 mm[1.378 in]
Product Height	34.2 mm[1.346 in]

### Operation/Application

Circuit Application	Power
---------------------	-------

### Other

Serviceable	Yes
Connector Position Assurance Capable	No

### Product Compliance

[For compliance documentation, visit the product page on TE.com>](#)

EU RoHS Directive 2011/65/EU	Compliant
EU ELV Directive 2000/53/EC	Compliant
China RoHS 2 Directive MIIT Order No 32, 2016	No Restricted Materials Above Threshold
EU REACH Regulation (EC) No. 1907/2006	Current ECHA Candidate List: JAN 2022 (223) Candidate List Declared Against: JUL 2021 (219) SVHC > Threshold: Not Yet Reviewed
Halogen Content	BFR/CFR/PVC Free, but Br/Cl >900 ppm in other sources.
Solder Process Capability	Not applicable for solder process capability



Product Compliance Disclaimer

This information is provided based on reasonable inquiry of our suppliers and represents our current actual knowledge based on the information they provided. This information is subject to change. The part numbers that TE has identified as EU RoHS compliant have a maximum concentration of 0.1% by weight in homogenous materials for lead, hexavalent chromium, mercury, PBB, PBDE, DBP, BBP, DEHP, DIBP, and 0.01% for cadmium, or qualify for an exemption to these limits as defined in the Annexes of Directive 2011/65/EU (RoHS2). Finished electrical and electronic equipment products will be CE marked as required by Directive 2011/65/EU. Components may not be CE marked. Additionally, the part numbers that TE has identified as EU ELV compliant have a maximum concentration of 0.1% by weight in homogenous materials for lead, hexavalent chromium, and mercury, and 0.01% for cadmium, or qualify for an exemption to these limits as defined in the Annexes of Directive 2000/53/EC (ELV). Regarding the REACH Regulation, the information TE provides on SVHC in articles for this part number is based on the latest European Chemicals Agency (ECHA) 'Guidance on requirements for substances in articles' posted at this URL: <https://echa.europa.eu/guidance-documents/guidance-on-reach>

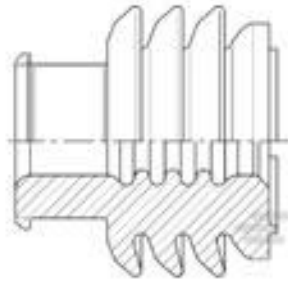
### Compatible Parts



TE Part # CAT-AM705-T273  
AMP MCP, RECEPTACLE AND TAB




TE Part # 1743797-1  
MCP 9.5MM 1P CAP ASSY




TE Part # 1355437-2  
MCP9,5 EINZELDICHTG


### Also in the Series | AMP MCP 9.5



Automotive Housings(21)



Automotive Seals & Cavity Plugs(3)



Automotive Terminals(4)

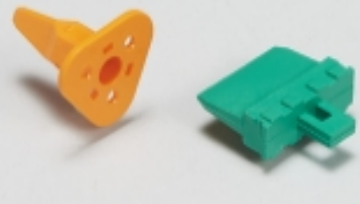


PCB Headers & Receptacles(1)


### Also in the Series | AMP MCP Connector System




Automotive Connector Caps & Covers (24)



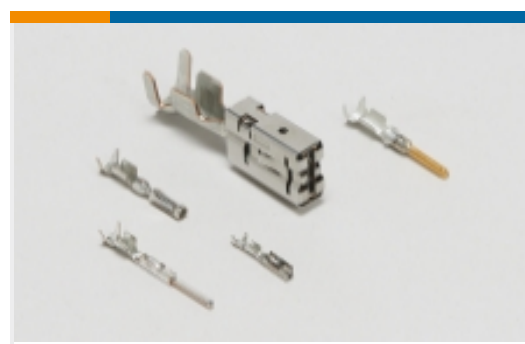
Automotive Connector Locks & Position Assurance(7)



Automotive Housings(352)



Automotive Seals & Cavity Plugs(6)



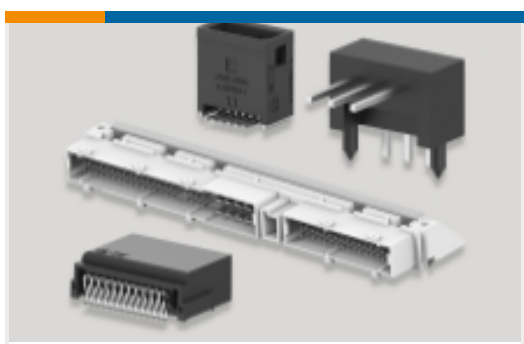
Automotive Terminals(125)



Insertion & Extraction Tools(13)



Other Automotive Connector Accessories(2)



PCB Headers & Receptacles(29)

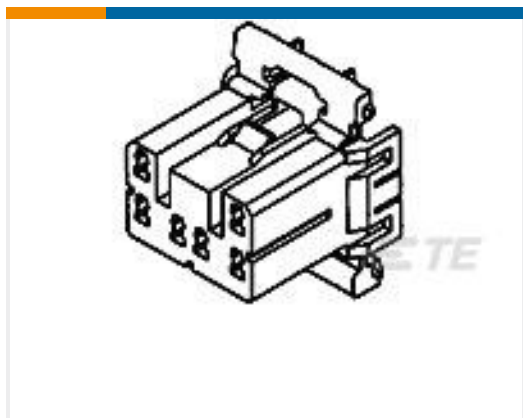
## Customers Also Bought



TE Part #925076-3  
4W CIRCULAR MATE-N-LOK SOCKET  
HSG BLK



TE Part #160786-2  
FF 250 TAB 0.5-1.5MM2 TPPB



TE Part #282366-1  
070 MULTILOCK PLUG HSG. 8 POS



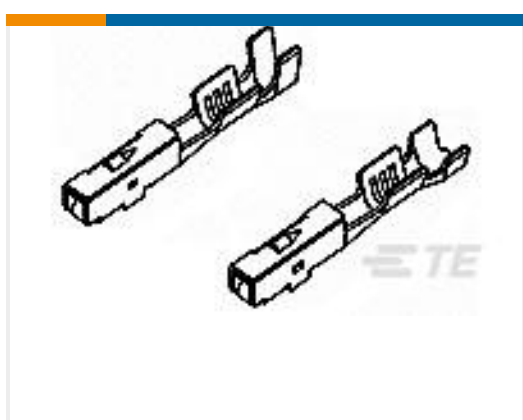
TE Part #962934-1  
TIMER, RECEPTACLE AND TAB



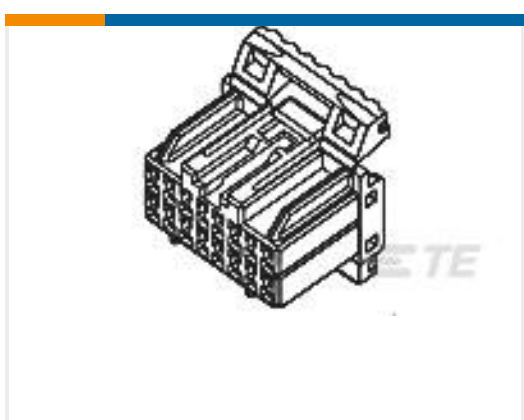
TE Part #1-967590-1  
AMP MCP 9.5, CONTACT, SWS



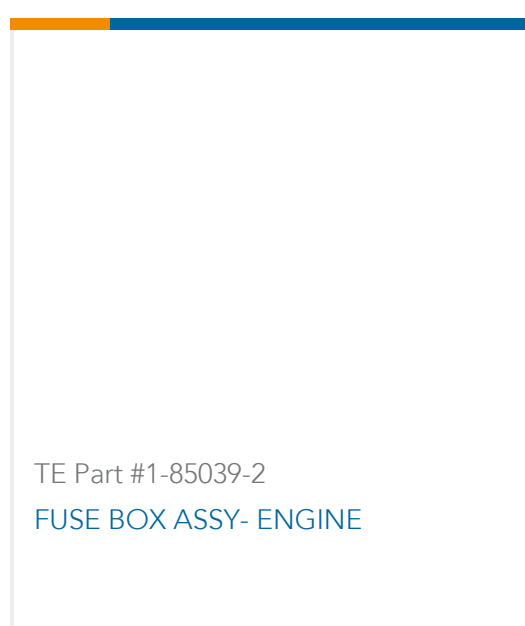
TE Part #2822353-1  
250 TYPE RUBBER PLUG



TE Part #179966-1  
070 REC CONTACT "M"



TE Part #174913-1  
HYBRID PLUG HSG 12P NATURAL



TE Part #1-85039-2  
FUSE BOX ASSY- ENGINE

## Documents

### Product Drawings

[MCP 9.5MM 1P PLUG ASSY](#)

English

### CAD Files

[Customer View Model](#)

[ENG\\_CVM\\_CVM\\_1743793-1\\_A.2d\\_dxf.zip](#)

English

[3D PDF](#)



3D

Customer View Model

[ENG\\_CVM\\_CVM\\_1743793-1\\_A.3d\\_igs.zip](#)

English

Customer View Model

[ENG\\_CVM\\_CVM\\_1743793-1\\_A.3d\\_stp.zip](#)

English

By downloading the CAD file I accept and agree to the [Terms and Conditions](#) of use.

---

## Product Specifications

[Product Specification](#)

English

---

## Instruction Sheets

[Instruction Sheet \(non U.S.\)](#)

English