



AMP

TE Internal #: 1612122-1

Automotive Connector Locks & Position Assurance, Yellow, Wire-to-Board, PBT GF, -30 – 80 °C [-22 – 176 °F]

[View on TE.com >](#)

Connectors > Automotive Connectors > Connector Accessories > Locks & Position Assurance



Primary Product Color: **Yellow**

Connector System: **Wire-to-Board**

Primary Product Material: **PBT GF**

Operating Temperature Range: **-30 – 80 °C [-22 – 176 °F]**

Features

Product Type Features

Connector System	Wire-to-Board
------------------	---------------

Body Features

Primary Product Color	Yellow
Primary Product Material	PBT GF

Usage Conditions

Operating Temperature Range	-30 – 80 °C[-22 – 176 °F]
-----------------------------	---------------------------

Industry Standards

UL Flammability Rating	UL 94HB
------------------------	---------

Packaging Features

Packaging Quantity	500
Packaging Method	Bag

Other

Serviceable	Yes
-------------	-----

Product Compliance

[For compliance documentation, visit the product page on TE.com>](#)

EU RoHS Directive 2011/65/EU	Compliant
EU ELV Directive 2000/53/EC	Compliant
China RoHS 2 Directive MIIT Order No 32, 2016	No Restricted Materials Above Threshold

EU REACH Regulation (EC) No. 1907/2006

Current ECHA Candidate List: JAN 2022 (223)

Candidate List Declared Against: JUL 2021 (219)

SVHC > Threshold:
Not Yet Reviewed

Halogen Content

Low Halogen - Br, Cl, F, I < 900 ppm per homogenous material. Also BFR/CFR/PVC Free

Solder Process Capability

Not applicable for solder process capability

Product Compliance Disclaimer

This information is provided based on reasonable inquiry of our suppliers and represents our current actual knowledge based on the information they provided. This information is subject to change. The part numbers that TE has identified as EU RoHS compliant have a maximum concentration of 0.1% by weight in homogenous materials for lead, hexavalent chromium, mercury, PBB, PBDE, DBP, BBP, DEHP, DIBP, and 0.01% for cadmium, or qualify for an exemption to these limits as defined in the Annexes of Directive 2011/65/EU (RoHS2). Finished electrical and electronic equipment products will be CE marked as required by Directive 2011/65/EU. Components may not be CE marked. Additionally, the part numbers that TE has identified as EU ELV compliant have a maximum concentration of 0.1% by weight in homogenous materials for lead, hexavalent chromium, and mercury, and 0.01% for cadmium, or qualify for an exemption to these limits as defined in the Annexes of Directive 2000/53/EC (ELV). Regarding the REACH Regulation, the information TE provides on SVHC in articles for this part number is based on the latest European Chemicals Agency (ECHA) 'Guidance on requirements for substances in articles' posted at this URL: <https://echa.europa.eu/guidance-documents/guidance-on-reach>

Compatible Parts



TE Part # 1612121-4
SQUIB 2POS PLUG HSG



TE Part # 1612121-1
SQUIB 2POS PLUG HSG



TE Part # 1612123-1
SQUIB FERRITE



TE Part # 1612121-3
SQUIB PLUG HSG

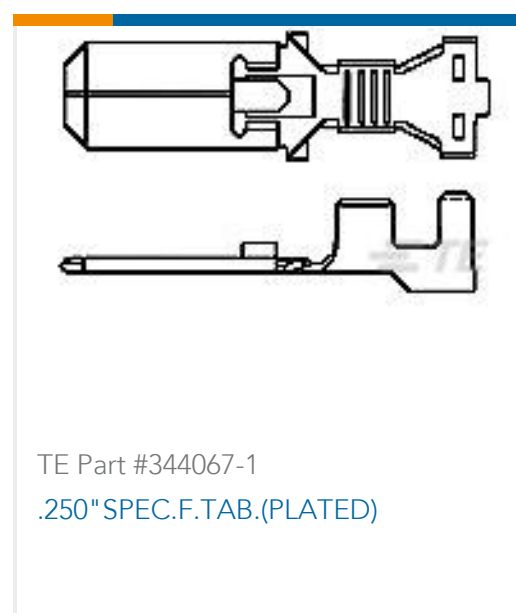


TE Part # 1612121-5
SQUIB 2POS PLUG HSG



TE Part # 1612121-2
SQUIB 2POS PLUG HSG

Customers Also Bought



Documents

Product Drawings

SQUIB LOCKING BUTTON

Japanese

CAD Files

Customer View Model

[ENG_CVM_CVM_1612122-1_C.2d_dxf.zip](#)

English

3D PDF

3D

Customer View Model

[ENG_CVM_CVM_1612122-1_C.3d_igs.zip](#)

English

Customer View Model

[ENG_CVM_CVM_1612122-1_C.3d_stp.zip](#)

English

By downloading the CAD file I accept and agree to the [Terms and Conditions](#) of use.

Product Specifications

CRIMPING SOCKET CONTACT FOR 1MM PIN

Japanese

SQUIB Connector 11DIA

Japanese

Product Specification

Japanese

SQUIB Connector 11DIA

Japanese

Product Specification

Japanese

11DIA SQUIB CONNECTOR COMPACT TYPE

Japanese

Product Environmental Compliance

Product Compliance

English



[Product Compliance](#)

English

[Instruction Sheets](#)

[Instruction Sheet \(non U.S.\)](#)

Japanese