

1743656-1 ✓ ACTIVE

Multilock Connector System

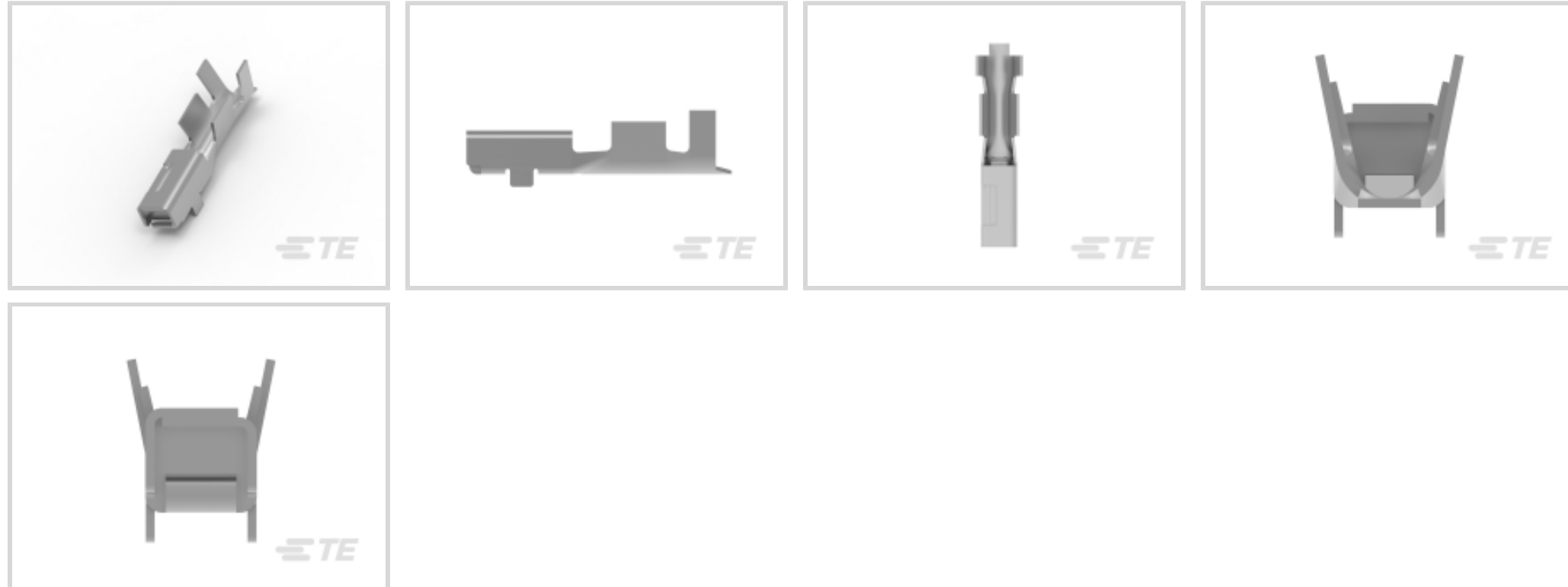
TE Internal #: 1743656-1

Automotive Terminals, Receptacle, Mating Tab Width 2.3 mm [.091 in], Tab Thickness .025 in [.64 mm], 15 – 14 AWG Wire Size, Multilock Connector System

[View on TE.com >](#)



Terminals & Splices > Automotive Terminals > MULTILOCK, RECEPTACLE AND TAB



Terminal Type: **Receptacle**

Mating Tab Width: **2.3 mm [.091 in]**

Mating Tab Thickness: **.64 mm [.025 in]**

Terminal Transmits: **0 – 24 A (Low Power)**

Wire Size: **15 – 14 AWG**

[All MULTILOCK, RECEPTACLE AND TAB \(143\)](#)

Features

Product Type Features

Receptacle Style	180°
Sealable	No
Primary Locking Feature	Clean Body

Contact Features

Crimp Type	F-Crimp
Terminal Type	Receptacle
Mating Tab Width	2.3 mm [.091 in]
Mating Tab Thickness	.64 mm [.025 in]
Interface Plating	Gold (Au)
Contact Termination Area Plating Material	Tin (Sn)

Termination Features

Termination Method to Wire & Cable	Crimp
------------------------------------	-------



Product Terminates To

Wire

Dimensions

Wire Size	1.5 – 2 mm ²
Wire Size Search	14 AWG, 15 AWG
Wire Insulation Diameter	1.9 – 2.8 mm [.075 – .11 in]

Usage Conditions

Insulation Option	Uninsulated
-------------------	-------------

Packaging Features

Packaging Method	Reel
Packaging Quantity	4000

Other

Terminal Transmits	0 – 24 A (Low Power)
--------------------	----------------------

Product Compliance

[For compliance documentation, visit the product page on TE.com>](#)

EU RoHS Directive 2011/65/EU	Compliant
EU ELV Directive 2000/53/EC	Compliant
China RoHS 2 Directive MIIT Order No 32, 2016	No Restricted Materials Above Threshold
EU REACH Regulation (EC) No. 1907/2006	Current ECHA Candidate List: JAN 2022 (223) Candidate List Declared Against: JAN 2022 (223) Does not contain REACH SVHC
Halogen Content	Low Halogen - Br, Cl, F, I < 900 ppm per homogenous material. Also BFR/CFR/PVC Free
Solder Process Capability	Not applicable for solder process capability

Product Compliance Disclaimer

This information is provided based on reasonable inquiry of our suppliers and represents our current actual knowledge based on the information they provided. This information is subject to change. The part numbers that TE has identified as EU RoHS compliant have a maximum concentration of 0.1% by weight in homogenous materials for lead, hexavalent chromium, mercury, PBB, PBDE, DBP, BBP, DEHP, DIBP, and 0.01% for cadmium, or qualify for an exemption to these limits as defined in the Annexes of Directive 2011/65/EU (RoHS2). Finished electrical and electronic equipment products will be CE marked as required by Directive 2011/65/EU. Components may not be CE marked. Additionally, the part numbers that TE has identified as EU ELV compliant have a maximum concentration of 0.1% by weight in homogenous materials for lead, hexavalent chromium, and mercury, and 0.01% for cadmium, or qualify for an exemption to these limits as defined in the Annexes of Directive 2000/53/EC (ELV). Regarding the REACH Regulation, the information TE provides on SVHC in articles for this part number is based on the latest European Chemicals Agency (ECHA) 'Guidance on requirements for substances in articles' posted at this URL: <https://echa.europa.eu/guidance-documents/guidance-on-reach>

Compatible Parts



TE Part # CAT-M9194-CH8172
MULTILOCK, CONNECTOR HOUSING



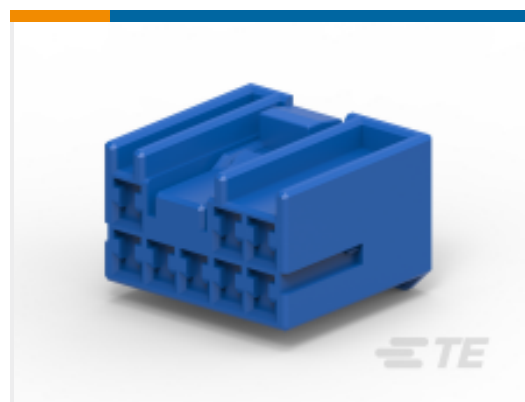
TE Part # 936095-3
090III 20P PLUG ASSY L-GRY



TE Part # 1743037-2
HYBRID 92P PLUG ASSY



TE Part # 368454-8
090/250 HYB 16P PLUG ASSY BLU



TE Part # 936233-8
090III 8P PLUG ASSY BLUE

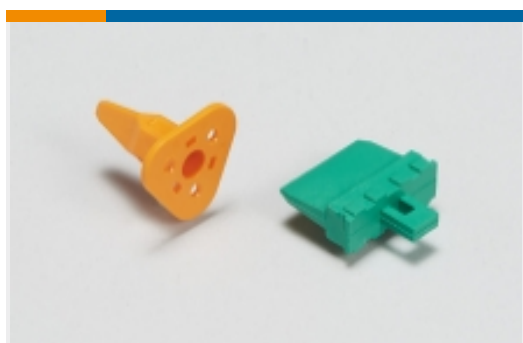
Also in the Series | Multilock Connector System



Automotive Connector Caps & Covers
(16)



Automotive Connector EMC Shielding
(1)



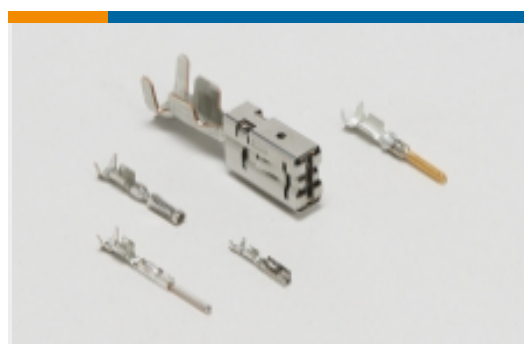
Automotive Connector Locks &
Position Assurance(2)



Automotive Housings(575)



Automotive Seals & Cavity Plugs(2)



Automotive Terminals(141)



Insertion & Extraction Tools(6)

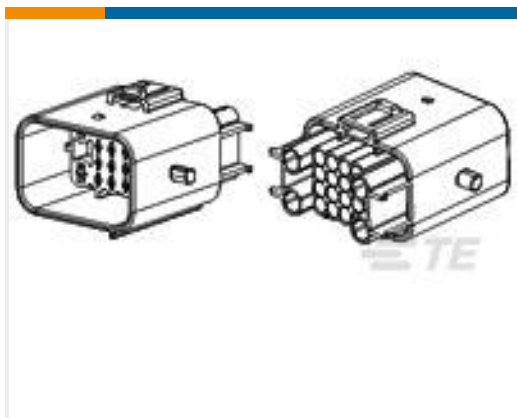
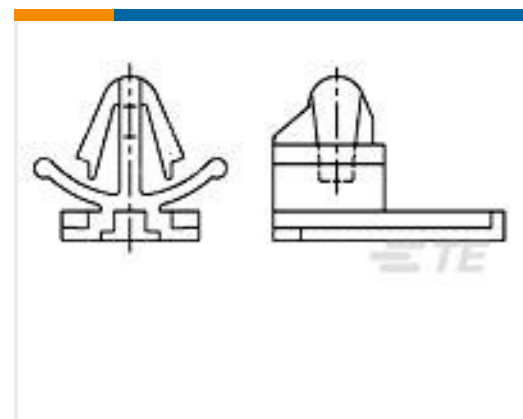
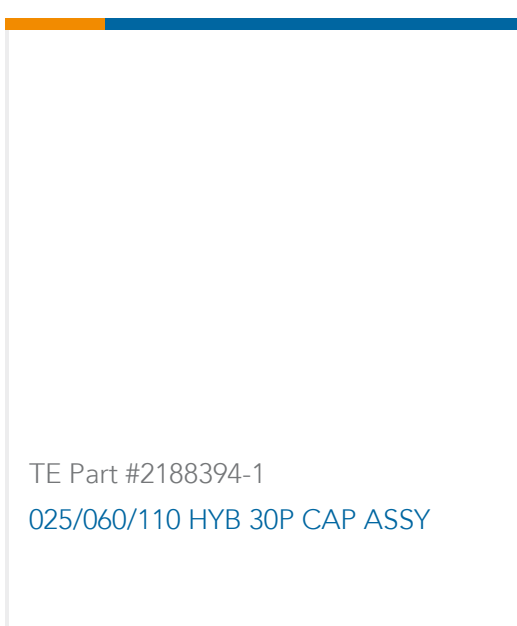


Other Automotive Connector
Accessories(9)



PCB Headers & Receptacles(129)

Customers Also Bought

TE Part #936780-2
MT-II/JPT SLD 20P CAP HSGTE Part #927829-2
SPT REC 6.3 Contact SRC SnTE Part #368086-1
MULTILOCK, RECEPTACLE AND TABTE Part #144969-4
MQSO,63 Au&Sn rec LL unseal. 0,2-0,6TE Part #936204-1
090III 18P PLUG ASSYTE Part #368165-1
CLIP HSG FOR 070/EJ MK-II(+)TE Part #2005330-1
025/090/110 HYB 24P CAP ASSYTE Part #2005327-1
025/090/110 HYB 24P PLUG ASSYTE Part #2188394-1
025/060/110 HYB 30P CAP ASSY

Documents

Product Drawings

090III MLC REC(L) CONT

English

CAD Files

3D PDF

3D

Customer View Model

ENG_CVM_CVM_1743656-1_A.2d_dxf.zip



English

Customer View Model

[ENG_CVM_CVM_1743656-1_A.3d_igs.zip](#)

English

Customer View Model

[ENG_CVM_CVM_1743656-1_A.3d_stp.zip](#)

English

By downloading the CAD file I accept and agree to the [Terms and Conditions](#) of use.

Datasheets & Catalog Pages

[MULTILOCK Connector System](#)

English

Product Specifications

[Application Specification](#)

English

Product Environmental Compliance

[Product Compliance](#)

English

[Product Compliance](#)

English