

1376109-1 ✓ ACTIVE

AMP | TH/.025 Connector System

TE Internal #: 1376109-1

Automotive Terminals, Tab, Mating Tab Width .64 mm [.025 in], Tab

Thickness .025 in [.64 mm], 24 – 20 AWG Wire Size, TH/.025

Connector System

[View on TE.com >](#)



Terminals & Splices > Automotive Terminals > TH/.025 CONNECTOR SYSTEM, RECPT AND TAB



Terminal Type: **Tab**

Mating Tab Width: **.64 mm [.025 in]**

Mating Tab Thickness: **.64 mm [.025 in]**

Terminal Transmits: **0 – 24 A (Low Power)**

Wire Size: **24 – 20 AWG**

[All TH/.025 CONNECTOR SYSTEM, RECPT AND TAB \(26\)](#)

## Features

### Product Type Features

Receptacle Style	180°
Sealable	No
Primary Locking Feature	Locking Lance

### Contact Features

Typical Current Rating	4 A
Crimp Type	F-Crimp
Terminal Type	Tab
Mating Tab Width	.64 mm [.025 in]
Mating Tab Thickness	.64 mm [.025 in]
Interface Plating	Tin (Sn)

### Termination Features

Termination Method to Wire & Cable	Crimp
Product Terminates To	Wire

### Dimensions

Wire Size	.22 – .56 mm <sup>2</sup>
Wire Size Search	20 AWG, 21 AWG, 22 AWG, 23 AWG, 24 AWG



Wire Insulation Diameter	.95 – 1.6 mm [.037 – .067 in]
--------------------------	-------------------------------

### Usage Conditions

Insulation Option	Uninsulated
Operating Temperature (Max)	80 °C, 85 °C, 90 °C, 100 °C, 105 °C [176 °F] [185 °F][194 °F][212 °F][221 °F]
Operating Temperature Range	-30 – 105 °C [-22 – 221 °F]

### Operation/Application

Compatible With Wire Base Material	Copper
------------------------------------	--------

### Packaging Features

Packaging Method	Reel
Packaging Quantity	10000

### Other

Terminal Transmits	0 – 24 A (Low Power)
--------------------	----------------------

## Product Compliance

[For compliance documentation, visit the product page on TE.com>](#)

EU RoHS Directive 2011/65/EU	Compliant
EU ELV Directive 2000/53/EC	Compliant
China RoHS 2 Directive MIIT Order No 32, 2016	No Restricted Materials Above Threshold
EU REACH Regulation (EC) No. 1907/2006	Current ECHA Candidate List: JAN 2022 (223) Candidate List Declared Against: JAN 2022 (223) Does not contain REACH SVHC
Halogen Content	Low Halogen - Br, Cl, F, I < 900 ppm per homogenous material. Also BFR/CFR/PVC Free
Solder Process Capability	Not applicable for solder process capability

#### Product Compliance Disclaimer

This information is provided based on reasonable inquiry of our suppliers and represents our current actual knowledge based on the information they provided. This information is subject to change. The part numbers that TE has identified as EU RoHS compliant have a maximum concentration of 0.1% by weight in homogenous materials for lead, hexavalent chromium, mercury, PBB, PBDE, DBP, BBP, DEHP, DIBP, and 0.01% for cadmium, or qualify for an exemption to these limits as defined in the Annexes of Directive 2011/65/EU (RoHS2). Finished electrical and electronic equipment products will be CE marked as required by Directive 2011/65/EU. Components may not be CE marked. Additionally, the part numbers that TE has identified as EU ELV compliant have a maximum concentration of 0.1% by weight in homogenous materials for lead, hexavalent chromium, and mercury, and 0.01% for cadmium, or qualify for an exemption to these limits as defined in the Annexes of Directive 2000/53/EC (ELV). Regarding the REACH Regulation, the information TE provides

on SVHC in articles for this part number is based on the latest European Chemicals Agency (ECHA) 'Guidance on requirements for substances in articles' posted at this URL: <https://echa.europa.eu/guidance-documents/guidance-on-reach>

## Compatible Parts



TE Part # CAT-T319-CH8172  
TH/.025 CONNECTOR SYSTEM,  
HOUSING



TE Part # 2305570-1  
TERMINAL CUTTER, SIDE FEED



TE Part # 2151494-1  
OCEAN\_2.0\_APPLICATOR-S-055F055F



TE Part # 4-1579008-5  
EXTRACTION TOOL



TE Part # 1366865-1  
EXT-TOOL FOR 025 TAB



TE Part # 2-2151494-1  
OCEAN\_2.0\_APPLICATOR-S-055F055F



TE Part # 2-2151494-2  
OCEAN\_2.0\_APPLICATOR-S-055F055F



TE Part # 2151494-2  
OCEAN\_2.0\_APPLICATOR-S-055F055F



TE Part # 5-2151494-1  
OCEAN\_2.0\_APPLICATOR-S-055F055F



TE Part # 5-2151494-2  
OCEAN\_2.0\_APPLICATOR-S-055F055F



TE Part # 7-2151494-1  
OCEAN\_2.0\_APPLICATOR-S-055F055F



TE Part # 7-2151494-2  
OCEAN\_2.0\_APPLICATOR-S-055F055F



**KIT**  
TE Part # 7-2151494-7  
OCEAN\_2.0\_SPARE\_PART\_KIT-  
055F055F



**KIT**  
TE Part # 7-2836361-7  
OC-140F140F-752-CRIMPTOOLINGKIT



TE Part # 7-1579014-2  
HT11K HAND TOOL TH 0.25  
CONTACTS

TE Part # 2-1722368-6  
ISOLATION CRIMP PLATE

## Also in the Series | TH/.025 Connector System



Automotive Connector Caps &amp; Covers (6)



Automotive Housings(203)



Automotive Seals &amp; Cavity Plugs(2)



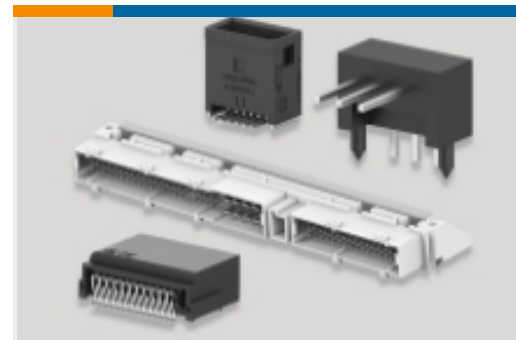
Automotive Terminals(25)



Insertion &amp; Extraction Tools(4)

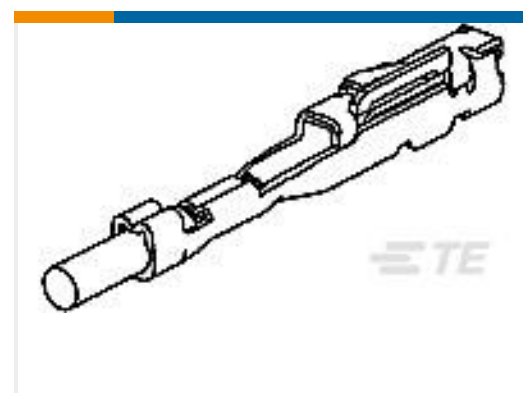


Other Automotive Connector Accessories(5)



PCB Headers &amp; Receptacles(144)

## Customers Also Bought

TE Part #1565380-1  
TH/.025 CONNECTOR SYSTEM,  
HOUSINGTE Part #1123343-1  
025 REC CONTACTTE Part #2069748-1  
0.64II CONNECTOR 1ROW 4POS  
PLUG HOUSINGTE Part #1473140-1  
SQUIB 11DIA MK-2 LOCKING BUTTOTE Part #2822391-1  
070 ECONOSEAL MARK-2+ PLUG 4P

## Documents

### Product Drawings

025 TAB CONT

Japanese

### CAD Files

3D PDF

3D

Customer View Model

ENG\_CVM\_CVM\_1376109-1\_K.2d\_dxf.zip



English

**Customer View Model**

[ENG\\_CVM\\_CVM\\_1376109-1\\_K.3d\\_igs.zip](#)

English

**Customer View Model**

[ENG\\_CVM\\_CVM\\_1376109-1\\_K.3d\\_stp.zip](#)

English

By downloading the CAD file I accept and agree to the [Terms and Conditions](#) of use.

---

## Datasheets & Catalog Pages

[TH/.025 Connector Series](#)

English

---

## Product Specifications

[Application Specification](#)

Japanese

[.025 IDC Connectors](#)

Japanese

[Application Specification](#)

Japanese

[Application Specification](#)

Japanese

---

## Product Environmental Compliance

[MD\\_1376109-1\\_09212015131\\_dmtec](#)

English

[MD\\_1376109-1\\_09212015131\\_dmtec](#)

English

---

## Instruction Sheets

[Instruction Sheet \(non U.S.\)](#)

Japanese

[025 Wire to Wire Connector](#)

Japanese

[Instruction Sheet \(non U.S.\)](#)

Japanese

[025 Wire to Wire Connector](#)

Japanese

[025 WIRE TO WIRE MALE CONNECTOR](#)

Japanese

[Instruction Sheet \(non U.S.\)](#)

Japanese

[025 WIRE TO WIRE MALE CONNECTOR](#)

Japanese



**Instruction Sheet (non U.S.)**

Japanese