

1438299-2 ✓ ACTIVE

AMP | Get .64 Connector System

TE Internal #: 1438299-2

Automotive Terminals, Tab, Mating Tab Width 1 mm [.039 in], Tab Thickness .025 in [.64 mm], 24 – 22 AWG Wire Size, Get .64 Connector System

[View on TE.com >](#)



Terminals & Splices > Automotive Terminals > GET .64 CONNECTOR SYSTEM, RECEPT AND TAB



Terminal Type: **Tab**

Mating Tab Width: **1 mm [.039 in]**

Mating Tab Thickness: **.64 mm [.025 in]**

Terminal Transmits: **0 – 24 A (Low Power)**

Wire Size: **24 – 22 AWG**

[All GET .64 CONNECTOR SYSTEM, RECEPT AND TAB \(29\)](#)

## Features

### Product Type Features

Sealable	No
Primary Locking Feature	Clean Body

### Contact Features

Typical Current Rating	9 A
Crimp Type	F-Crimp
Terminal Type	Tab
Mating Tab Width	1 mm [.039 in]
Mating Tab Thickness	.64 mm [.025 in]
Interface Plating	Tin (Sn)
Contact Termination Area Plating Material	Gold (Au)

### Termination Features

Termination Method to Wire & Cable	Crimp
Product Terminates To	Wire

### Dimensions

Wire Size	.22 – .35 mm <sup>2</sup>
Wire Size Search	22 AWG, 23 AWG, 24 AWG
Wire Insulation Diameter	1.1 – 1.65 mm [.043 – .065 in]



### Usage Conditions

Insulation Option	Uninsulated
Operating Temperature (Max)	80 °C, 85 °C, 90 °C, 100 °C, 105 °C, 110 °C, 120 °C, 125 °C[176 °F][185 °F][194 °F][212 °F][221 °F][230 °F][248 °F][257 °F]
Operating Temperature Range	-40 – 125 °C[-40 – 257 °F]

### Operation/Application

Compatible With Wire Base Material	Copper
------------------------------------	--------

### Industry Standards

Agency/Standard	SAE/USCAR-2, USCAR-21
-----------------	-----------------------

### Packaging Features

Packaging Method	Reel
Packaging Quantity	11000

### Other

Terminal Transmits	0 – 24 A (Low Power)
--------------------	----------------------

## Product Compliance

[For compliance documentation, visit the product page on TE.com>](#)

EU RoHS Directive 2011/65/EU	Compliant
EU ELV Directive 2000/53/EC	Compliant
China RoHS 2 Directive MIIT Order No 32, 2016	No Restricted Materials Above Threshold
EU REACH Regulation (EC) No. 1907/2006	Current ECHA Candidate List: JAN 2022 (223) Candidate List Declared Against: JAN 2022 (223) Does not contain REACH SVHC
Halogen Content	Low Halogen - Br, Cl, F, I < 900 ppm per homogenous material. Also BFR/CFR/PVC Free
Solder Process Capability	Not applicable for solder process capability

#### Product Compliance Disclaimer

This information is provided based on reasonable inquiry of our suppliers and represents our current actual knowledge based on the information they provided. This information is subject to change. The part numbers that TE has identified as EU RoHS compliant have a maximum concentration of 0.1% by weight in homogenous materials for lead, hexavalent chromium, mercury, PBB, PBDE, DBP, BBP, DEHP, DIBP, and 0.01% for cadmium, or qualify for an exemption to these limits as defined in the Annexes of Directive 2011/65/EU (RoHS2). Finished electrical and electronic equipment products will be CE marked as required by Directive 2011/65/EU. Components may not be CE marked. Additionally, the part

numbers that TE has identified as EU ELV compliant have a maximum concentration of 0.1% by weight in homogenous materials for lead, hexavalent chromium, and mercury, and 0.01% for cadmium, or qualify for an exemption to these limits as defined in the Annexes of Directive 2000/53/EC (ELV). Regarding the REACH Regulation, the information TE provides on SVHC in articles for this part number is based on the latest European Chemicals Agency (ECHA) 'Guidance on requirements for substances in articles' posted at this URL: <https://echa.europa.eu/guidance-documents/guidance-on-reach>

## Compatible Parts



TE Part # 2305570-1  
TERMINAL CUTTER, SIDE FEED



TE Part # 1393367-2  
GET-SOCKET TERMINAL, SILVER VE



TE Part # 2151540-1  
OCEAN\_2.0\_APPLICATOR-S-055F0700



TE Part # 2-2151540-1  
OCEAN\_2.0\_APPLICATOR-S-055F0700



TE Part # 2-2151540-2  
OCEAN\_2.0\_APPLICATOR-S-055F0700



TE Part # 2151540-2  
OCEAN\_2.0\_APPLICATOR-S-055F0700



TE Part # 7-2151540-1  
OCEAN\_2.0\_APPLICATOR-S-055F0700




TE Part # 7-2151540-2  
OCEAN\_2.0\_APPLICATOR-S-055F0700



**KIT**  
REPRESENTATION ONLY

TE Part # 7-2151540-7  
OCEAN\_2.0\_SPARE\_PART\_KIT-055F0700



TE Part # 2321456-1  
L663 WIRING HARNESS HIGH SPEC

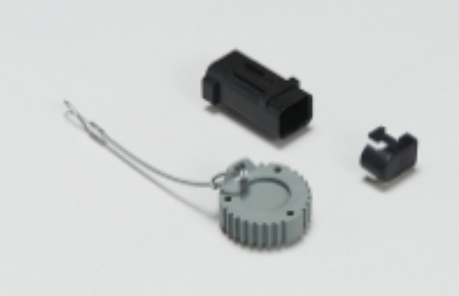


TE Part # 3-2151540-2  
OCEAN\_2.0\_APPLICATOR-S-055F0700




TE Part # 6-1393462-4  
GET-A HAND CRIMPING PLIERS


## Also in the Series | Get .64 Connector System




Automotive Connector Caps & Covers (7)



Automotive Housings(108)



Automotive Terminals(30)

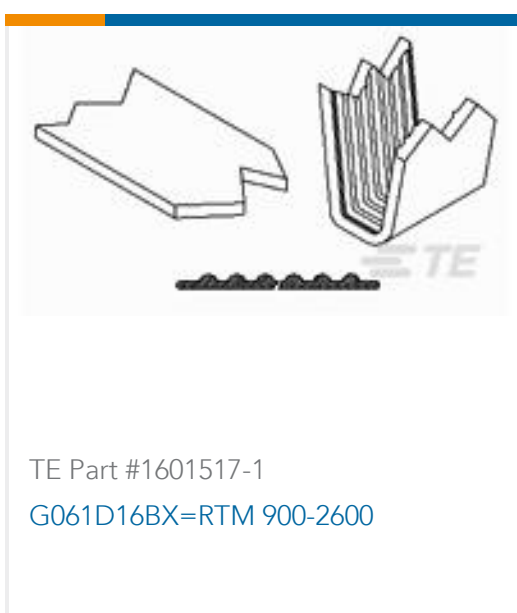


Insertion & Extraction Tools(1)



PCB Headers &amp; Receptacles(1)

## Customers Also Bought

TE Part #1452601-1  
2 POS. GET MALE-HSG., ASSYTE Part #964265-2  
TAB A 1.6x0.6 CONTACT CF SRC SnTE Part #1393367-1  
V23540X7000Y 11=GET-FEM TERM S**CRIMPER** REPRESENTATION ONLYTE Part #1-1803504-3  
CRIMPER, WIRE FTE Part #1601261-2  
TAB, OFFSET, 4.52x0.51, STD, SMZTE Part #7-2150363-7  
OCEAN\_2.0\_SPARE\_PART\_KIT-100F180FTE Part #2356394-1  
2POS, MCON 1.2 CB REC 2p TL UNSEALEDTE Part #2356394-2  
2POS, MCON 1.2 CB REC 2p TL UNSEALEDTE Part #1601517-1  
G061D16BX=RTM 900-2600

## Documents

### Product Drawings

[GET MALE TERM, A, SN](#)

English

### CAD Files

[Customer View Model](#)

[ENG\\_CVM\\_CVM\\_1438299-2\\_K.2d\\_dxf.zip](#)

English

[3D PDF](#)



3D

Customer View Model

[ENG\\_CVM\\_CVM\\_1438299-2\\_K.3d\\_igs.zip](#)

English

Customer View Model

[ENG\\_CVM\\_CVM\\_1438299-2\\_K.3d\\_stp.zip](#)

English

By downloading the CAD file I accept and agree to the [Terms and Conditions](#) of use.

---

### Datasheets & Catalog Pages

[GET 0.64 Interconnection System](#)

English

---

### Product Specifications

[Application Specification](#)

English

---

### Product Environmental Compliance

[MD\\_1438299-2\\_07032017952\\_dmtec](#)

English

[MD\\_1438299-2\\_07032017952\\_dmtec](#)

English