

177918-1 ✓ ACTIVE



Power Double Lock

TE Internal #: 177918-1

Rectangular Connector Locking, Double Lock Plate, 2 Position, .156 in [3.96 mm] Centerline, Wire & Cable, UL 94V-0, Power Double Lock

[View on TE.com >](#)

Connectors > Rectangular Connectors > Rectangular Connector Accessories > Locking > Power Double Lock TPA



Connector & Contact Retention Accessory Type: **Double Lock Plate**

Number of Positions: **2**

Centerline (Pitch): **3.96 mm [.156 in]**

Sealable: **No**

Connector & Contact Terminates To: **Wire & Cable**

[All Power Double Lock TPA \(6\)](#)

Features

Product Type Features

Product Type	Accessory
Glow Wire Rating	Standard Part - Not Glow Wire
Connector & Contact Retention Accessory Type	Double Lock Plate
Sealable	No
Connector & Contact Terminates To	Wire & Cable

Configuration Features

Number of Positions	2
---------------------	---

Body Features

Color	Natural
-------	---------

Housing Features

Housing Material	Glass-Filled Nylon 66
Centerline (Pitch)	3.96 mm[.156 in]



Dimensions

Height	4.46 mm
Length	12.1 mm

Usage Conditions

Operating Temperature Range	-30 – 105 °C[-22 – 221 °F]
-----------------------------	----------------------------

Operation/Application

For Use With	"Cap: 177906, 177908, 179463 or 179465", Plug: 177898 or 177900
--------------	--

Industry Standards

UL Flammability Rating	UL 94V-0
------------------------	----------

Packaging Features

Packaging Method	Bag/Box
Packaging Quantity	1000

Other

Comment	Quantity required based on connector being used.
---------	--

Product Compliance

[For compliance documentation, visit the product page on TE.com>](#)

EU RoHS Directive 2011/65/EU	Compliant
EU ELV Directive 2000/53/EC	Compliant
China RoHS 2 Directive MIIT Order No 32, 2016	No Restricted Materials Above Threshold
EU REACH Regulation (EC) No. 1907/2006	Current ECHA Candidate List: JAN 2022 (223) Candidate List Declared Against: JAN 2022 (223) Does not contain REACH SVHC
Halogen Content	Not Low Halogen - contains Br or Cl > 900 ppm.
Solder Process Capability	Not applicable for solder process capability

Product Compliance Disclaimer

This information is provided based on reasonable inquiry of our suppliers and represents our current actual knowledge based on the information they provided. This information is subject to change. The part numbers that TE has identified as EU RoHS compliant have a maximum concentration of 0.1% by weight in homogenous materials for lead, hexavalent chromium, mercury, PBB, PBDE, DBP, BBP, DEHP, DIBP, and 0.01% for cadmium, or qualify for an exemption to these limits as defined in the Annexes of Directive 2011/65/EU (RoHS2). Finished electrical and electronic equipment products will be CE marked as required by Directive 2011/65/EU. Components may not be CE marked. Additionally, the part

numbers that TE has identified as EU ELV compliant have a maximum concentration of 0.1% by weight in homogenous materials for lead, hexavalent chromium, and mercury, and 0.01% for cadmium, or qualify for an exemption to these limits as defined in the Annexes of Directive 2000/53/EC (ELV). Regarding the REACH Regulation, the information TE provides on SVHC in articles for this part number is based on the latest European Chemicals Agency (ECHA) 'Guidance on requirements for substances in articles' posted at this URL: <https://echa.europa.eu/guidance-documents/guidance-on-reach>

Compatible Parts



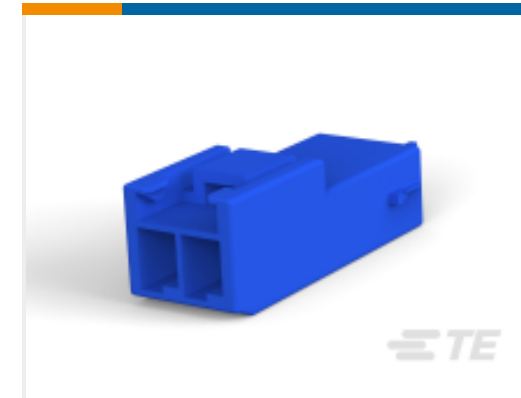
TE Part # 2005249-9
PDL 2P CAP 3.96 P/M(GWT) BLK



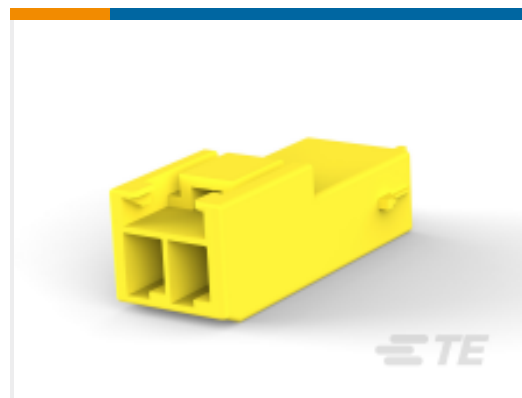
TE Part # CAT-P87024-C1701A
Glow Wire Power Double Lock Cap



TE Part # CAT-P87024-P729A
Glow Wire Power Double Lock Plug



TE Part # 2005248-6
PDL 2P CAP 3.96 F/H(GWT) BLU



TE Part # 2005248-4
PDL 2P CAP 3.96 F/H(GWT) YEL



TE Part # 368590-1
PDL 2P DBL PLATE 3.96(GWT) NAT



TE Part # 368575-2
PDL 4P PLUG 3.96 D/R(GWT) RED



TE Part # 368575-4
PDL 4P PLUG 3.96 D/R(GWT) YEL



TE Part # 368575-6
PDL 4P PLUG 3.96 D/R(GWT) BLU

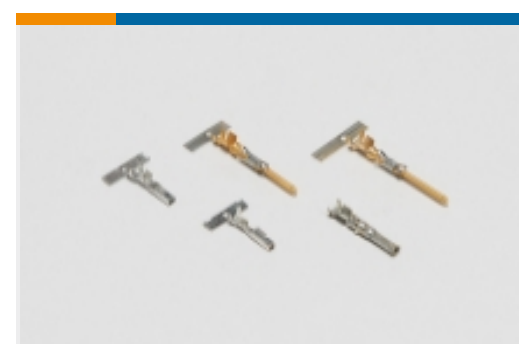
Also in the Series | Power Double Lock



Connector Contacts(1)



Insertion & Extraction Tools(2)



Power Contacts(23)

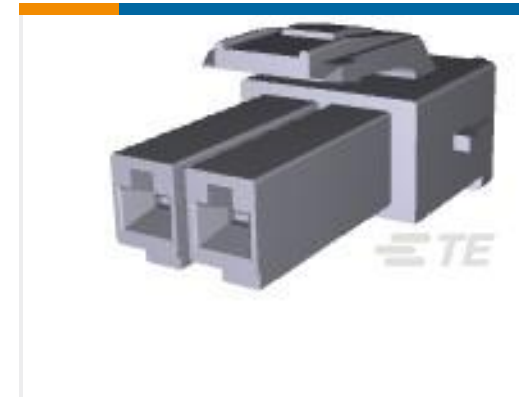


Rectangular Connector Locking(14)



Rectangular Power Connectors(280)

Customers Also Bought

TE Part #177909-1
STD Temp Power Double Lock CapTE Part #177905-1
POWER DBL LOCK PLUG HSG 12PTE Part #2005247-1
PDL 2P PLUG 3.96(GWT) NATTE Part #177917-1
Power Double Lock TabTE Part #179466-1
AMP POWER DBL LOCK CAP HSG 6PTE Part #179593-2
POWER D/LOCK REC CONT. H/P L/PTE Part #1743728-1
FG TERMINAL

Documents

Product Drawings

POWER DBL LOCK PLATE 2P

English

CAD Files

Customer View Model

[ENG_CVM_CVM_177918-1_E.2d_dxf.zip](#)

English

3D PDF

3D

Customer View Model

[ENG_CVM_CVM_177918-1_E.3d_igs.zip](#)

English

Customer View Model

[ENG_CVM_CVM_177918-1_E.3d_stp.zip](#)

English

By downloading the CAD file I accept and agree to the [Terms and Conditions](#) of use.



Datasheets & Catalog Pages

[SOFT_SHELL_PIN_AND_SOCKET_CONNECTORS_CATALOG](#)

English

[1773458-5_POWER_DBL_LOCK_\(PDL\)_CONNECTORS](#)

English

Product Specifications

[Engineering Report](#)

English

Product Environmental Compliance

[MD_177918-1_032020181241_dmtec](#)

English

[MD_177918-1_032020181241_dmtec](#)

English

Instruction Sheets

[Instruction Sheet \(non U.S.\)](#)

English

[AMP POWER DOUBLELOCK CONNECTOR SERIES](#)

English