

Receptacle Housings

Technical Features

No. of Positions:

3 Positions

Housing Material:

PBT GF15

Wire Size Range:

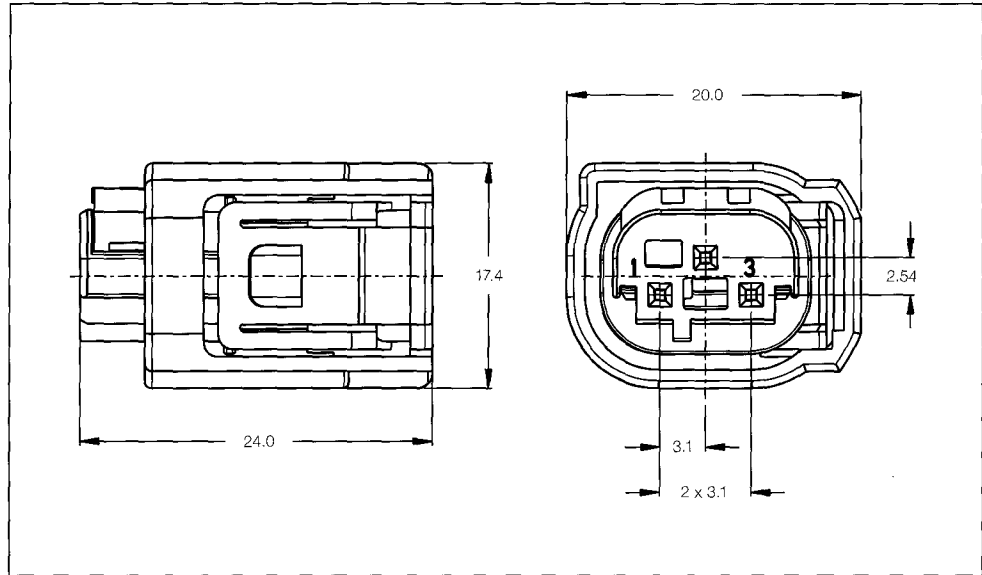
0.75 mm² Max.

Product Specification:

108-18272-0

Application Specification:

114-18061



3 Position Receptacle Housings

No. of Pos.	Keying Options	Housing Color	Part Numbers							
			Receptacle Housing	Cover	Locking Device	Cover and Lever	Retainer Housing	Mating Tab Housing	Mating PCB Header Right-Angle	Mating PCB Header Vertical
3	A	Black	1-967642-1	-	-	-	-	-	-	-
	B	Grey	2-967642-1	-	-	-	-	-	-	-
	B	Grey	2-967642-2	-	-	-	-	-	-	-
	E	Brown	5-967642-1	-	-	-	-	-	-	-