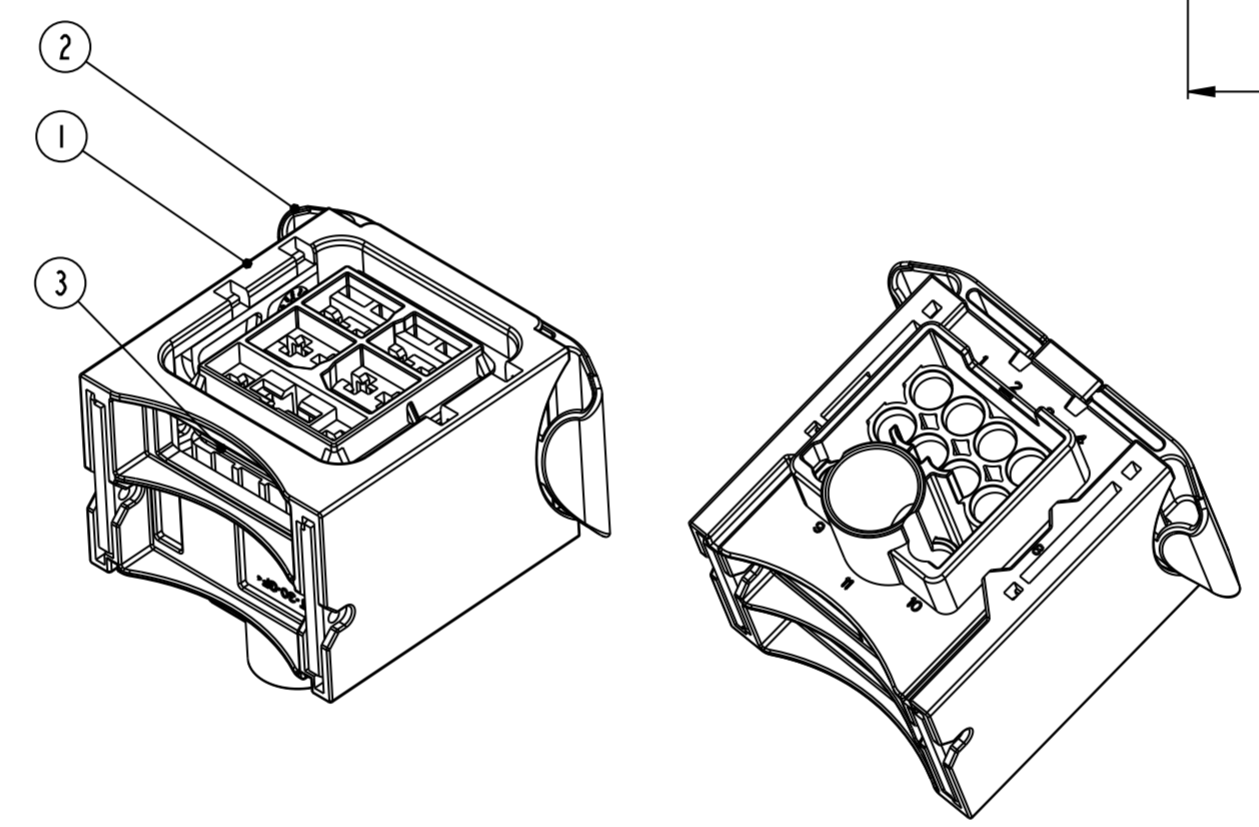
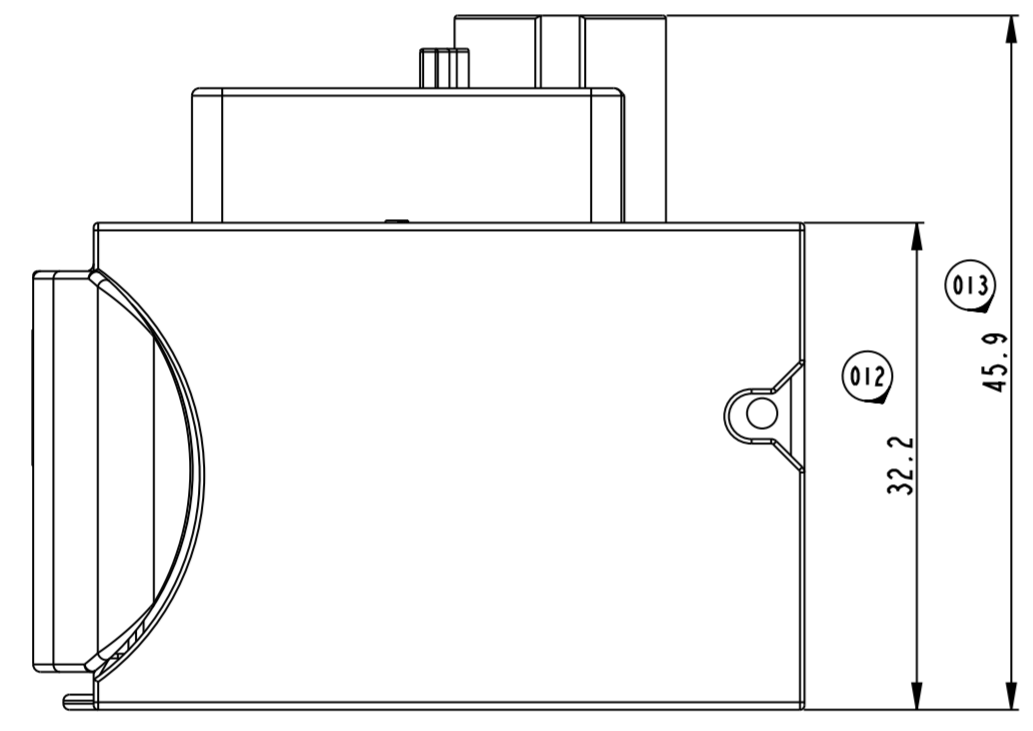
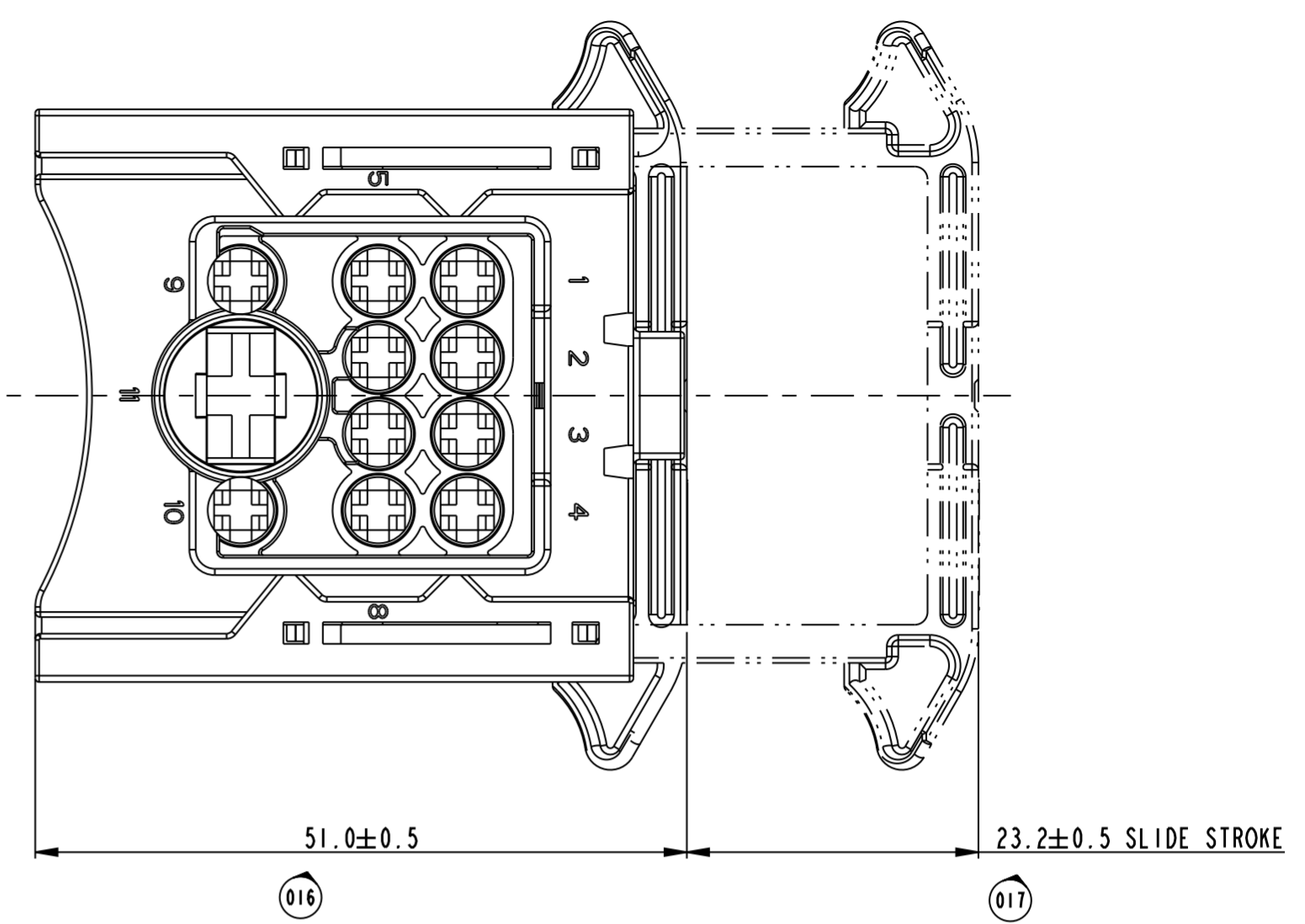
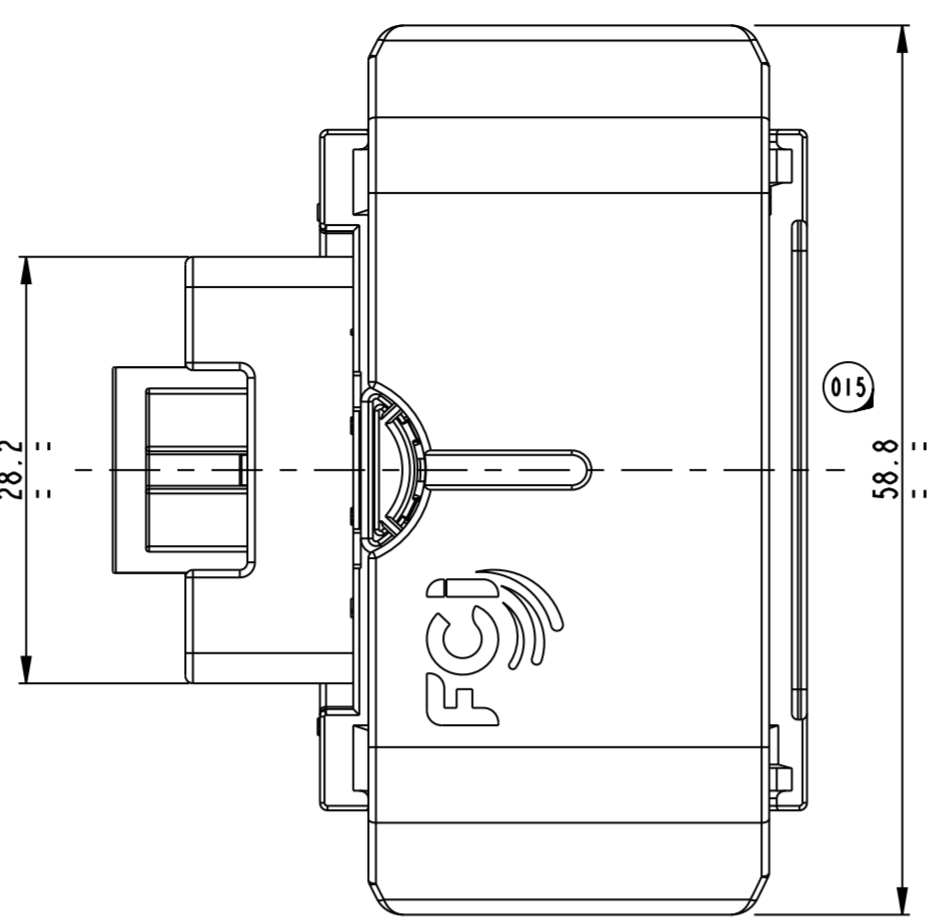
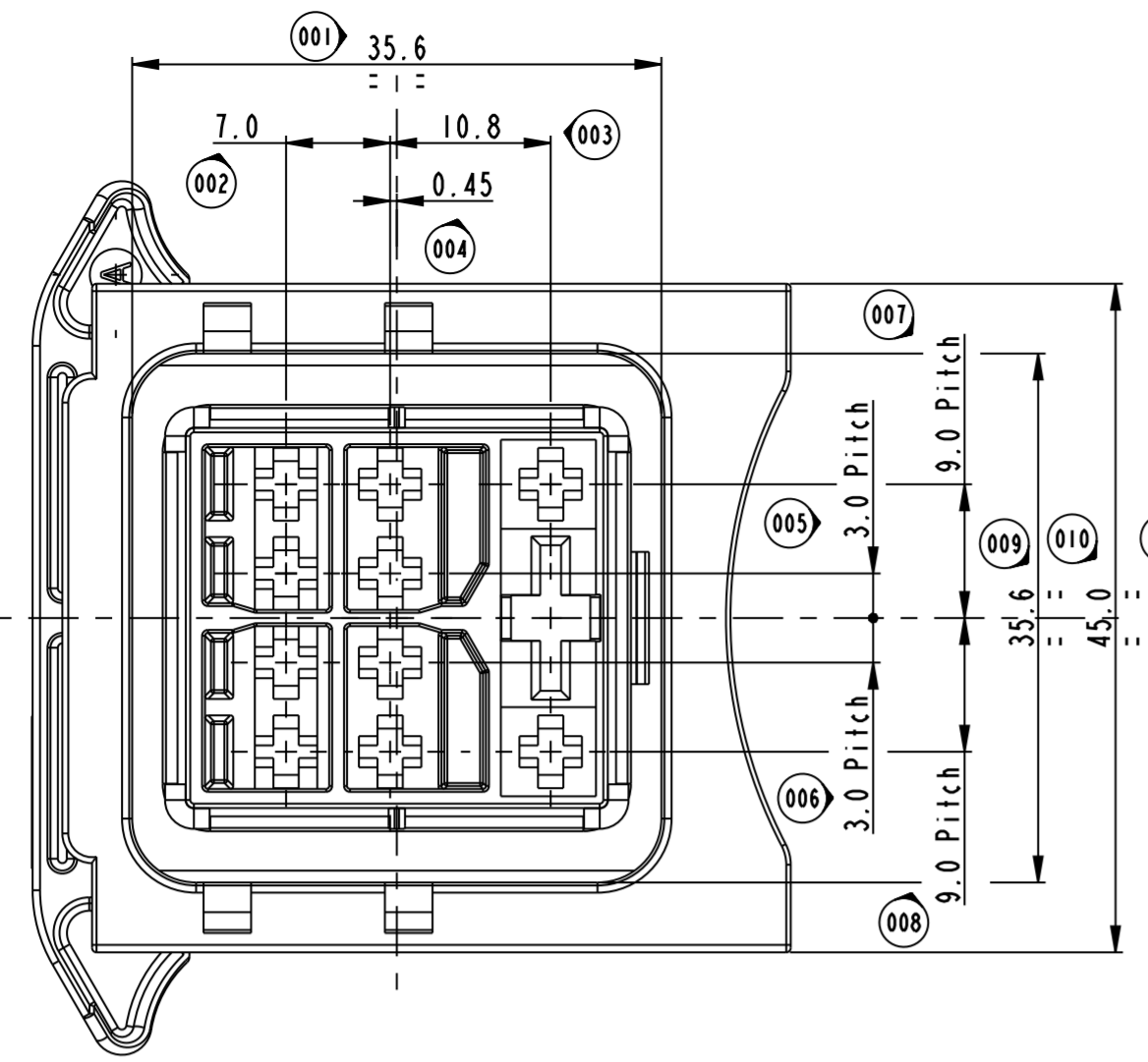


LAY OUT 11 WAY



9.5mm FEMALE TERM. P/N F682210	8.0-10.0	60993304 YELLOW	5.4-6.6	60993306 WHITE
9.5mm FEMALE TERM. P/N F582210	6.0	60993301 BLACK	3.8-5.2	
9.5mm FEMALE TERM. P/N 60070451	4.0	60993308 GREEN	3.4-3.7	60994007 GREEN
DCS2 2.8mm FEMALE TERM. P/N 60012941	1.5-2.5	60994034 YELLOW	2.7-2.9	
		60994023 RED	2.2-2.6	
DCS2 2.8mm FEMALE TERM. P/N 60012931	0.5-1.0	60994015 BLUE	1.2-2.0	
DCS2 2.8mm FEMALE TERM. P/N 60012911	0.35			
USABLE TERMINAL FOR THIS CONNECTOR	WIRE SIZE	P/N SWS COLOUR	∅ INSULATION	P/N CAVITY PLUG COLOUR

ASSEMBLY CONFIGURATIONS

LAY OUT	9 WAY	7 WAY	10 WAY	11 WAY	
P/N	1721105	F554310	F654310	1721105A	
REV.	A	A	A	A	
CLOSED CAVITIES	5, 8	2, 3, 5, 8	9	none	
1 HOUSING	BLACK	DARK BROWN	DARK GREEN	GREY	PBT 30GF
2 SLIDE	RED	RED	RED	VIOLET	PA66 30GF
3 SEAL	RED	RED	RED	RED	SILICON RUBBER
REF. COMPONENT					MATERIAL

STRICTLY CONFIDENTIAL

12-01246	26/09/12	C	PN F682210 replaced 60070471 and F582210 replaced 60070461	DT	MC
12-00609	07/05/12	B	Added new layout 7way and 10way (ESR EU-120263) and layout 11way	DT	MC
12-00042	08/02/12	A	Modified cavities position of the 9way as the 11way (ref.eca 12-01212)	DT	MC
			Changed Slide colour and drawing description	DT	MC
ECH-NO. NUMERO ECH	DATE DD / MM / YY	REVISION REVISIONE	POSITION POSIZIONE	CHANGE DESCRIPTION DESCRIZIONE MODIFICA	DRAWN BY AUTORE
1721105	30/07/04	R.P.		CONNECTOR FOR GLOW PLUG UNIT	FSD 309771
1721105	30/07/04	T.C.			
1721105	30/07/04	T.C.			
TOLERANCES TOLLERANZE ± 0.3 mm. / ± P			MATERIAL : MATERIALE : SEE TABLE	SURFACE FINISH FINITURA SUPERFICIALE	
DO NOT SCALE DRAWING DISEGNO FUORI SCALA			COLOUR : COLORE : SEE TABLE	CAD SYSTEM CAD SISTEMA	
DRAWN BY DISEGNATORE DATE DATA 30/07/04 NAME NONE			DRAWING NUMBER NUMERO DISEGNO FSD 309771		
CHECKED BY CONTROLLATO DATE DATA 30/07/04 NAME NONE			FILE NAME NUMERO CAT. SEE TABLE		
APPROVED BY APPROVATO DATE DATA 30/07/04 NAME NONE			SCALE SCALA 1:1		