

**PLEASE CHECK WWW.MOLEX.COM FOR LATEST PART INFORMATION**

**Part Number:** [5601250600](#)  
**Status:** **Active**  
**Overview:** [DuraClik Connector System](#)  
**Description:** DuraClik ISL Wire-to-Board Terminal Position Assurance (TPA) Retainer, 6 Circuits, Gray

**Documents:**

|   |   |
|---|---|
| <a href="#">3D Model</a>                                      | <a href="#">Application Specification AS-560123-001-001 (PDF)</a> |
| <a href="#">3D Model (PDF)</a>                                | <a href="#">Packaging Specification PK-560125-001-001 (PDF)</a>   |
| <a href="#">Drawing (PDF)</a>                                 | <a href="#">Datasheet (PDF)</a>                                   |
| <a href="#">Product Specification PS-560123-001-001 (PDF)</a> | <a href="#">RoHS Certificate of Compliance (PDF)</a>              |
| <a href="#">Product Specification PS-560123-003-001 (PDF)</a> |   |

**General**

|                |   |
|----------------|---|
| Product Family | Accessories                               |
| Series         | <a href="#">560125</a>                    |
| Application    | Automotive                                |
| Component Type | Terminal Position Assurance               |
| Overview       | <a href="#">DuraClik Connector System</a> |
| Product Name   | DuraClik                                  |
| UPC            | 889056288286                              |

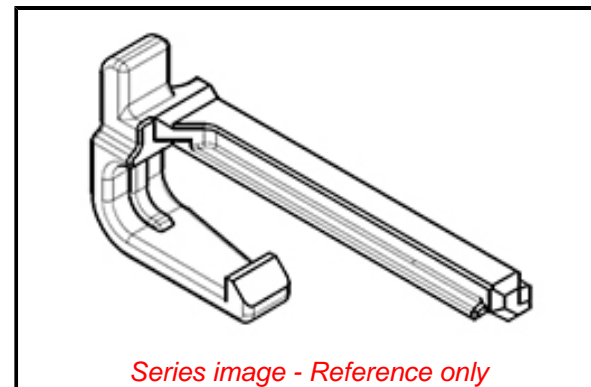
**Physical**

|                               |                |
|-------------------------------|----------------|
| Circuits (Loaded)             | 6              |
| Circuits (maximum)            | 6              |
| Color - Resin                 | Gray           |
| Lock to Mating Part           | Yes            |
| Material - Resin              | PBT            |
| Net Weight                    | 0.072/g        |
| Number of Rows                | 1              |
| Packaging Type                | Bag            |
| Polarized to Mating Part      | Yes            |
| Temperature Range - Operating | -40° to +130°C |

**Material Info**

**Reference - Drawing Numbers**

|                           |                                      |
|---------------------------|--------------------------------------|
| Application Specification | AS-560123-001-001                    |
| Packaging Specification   | PK-560125-001-001                    |
| Product Specification     | PS-560123-001-001, PS-560123-003-001 |
| Sales Drawing             | SD-560125-004                        |



**EU ELV**

**Compliant**

**EU RoHS**

**Compliant**

**REACH SVHC**

Not Contained Per -  
D(2020)4578-DC (25  
June 2020)

**Halogen-Free**

**Status**

**Not Low-Halogen**

For more information, please visit [Contact US](#)

China ROHS

ELV

RoHS Phthalates

**China RoHS**

Green Image

Compliant

Not Contained

**Search Parts in this Series**

[560125 Series](#)

**Use With**

DuraClik ISL Terminal Housing [5601230600](#)  
, [5601230601](#) , [5601230602](#) , [5601230604](#)