



Terminals &amp; Splices &gt; Automotive Terminals

Terminal Type: **Receptacle**Mating Tab Width: **.64 mm [.025 in]**Mating Tab Thickness: **.64 mm [.025 in]**Terminal Transmits: **0 – 24 A (Low Power)**Wire Size: **22 AWG**

## Features

### Product Type Features

Receptacle Style	180°
Sealable	No

### Contact Features

Typical Current Rating	7.7 A
Crimp Type	F-Crimp
Terminal Type	Receptacle
Mating Tab Width	.64 mm [.025 in]
Mating Tab Thickness	.64 mm [.025 in]
Interface Plating	Tin (Sn)
Contact Termination Area Plating Material	Tin (Sn)

### Termination Features

Termination Method to Wire & Cable	Crimp
Product Terminates To	Wire

### Dimensions

Wire Size	.3 mm <sup>2</sup>
Wire Size Search	22 AWG
Wire Insulation Diameter	.35 mm [.047 – .063 in]

### Usage Conditions



Insulation Option	Uninsulated
Operating Temperature (Max)	80 °C, 85 °C, 90 °C, 100 °C, 105 °C, 110 °C, 120 °C, 125 °C[176 °F][185 °F][194 °F][212 °F][221 °F][230 °F][248 °F][257 °F]
Operating Temperature Range	-40 – 125 °C[-40 – 257 °F]

### Operation/Application

Compatible With Wire Base Material	Copper
------------------------------------	--------

### Packaging Features

Packaging Method	Package
Packaging Quantity	7000

### Other

Terminal Transmits	0 – 24 A (Low Power)
--------------------	----------------------

## Product Compliance

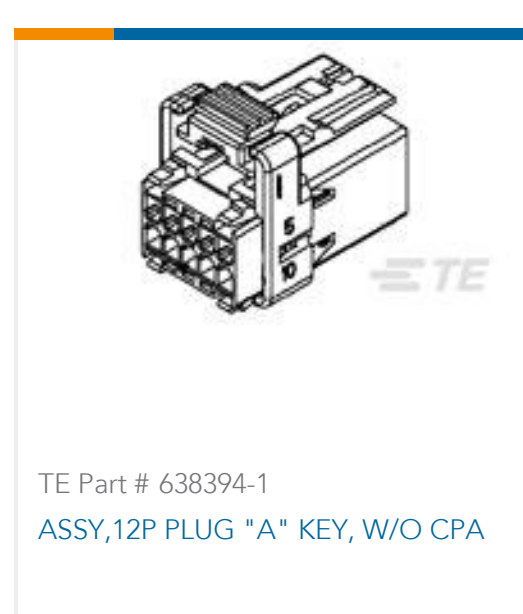
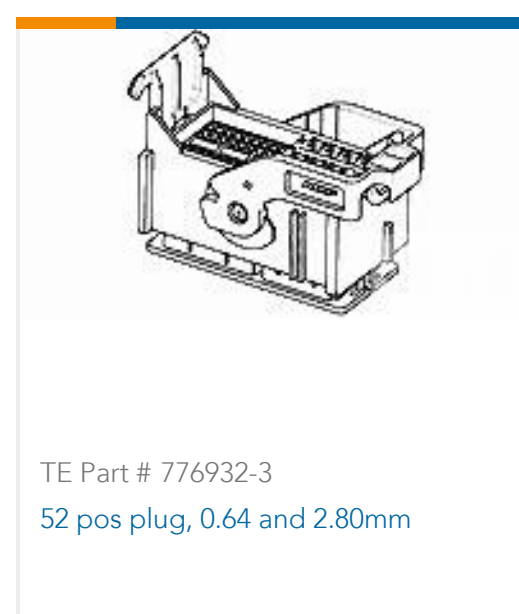
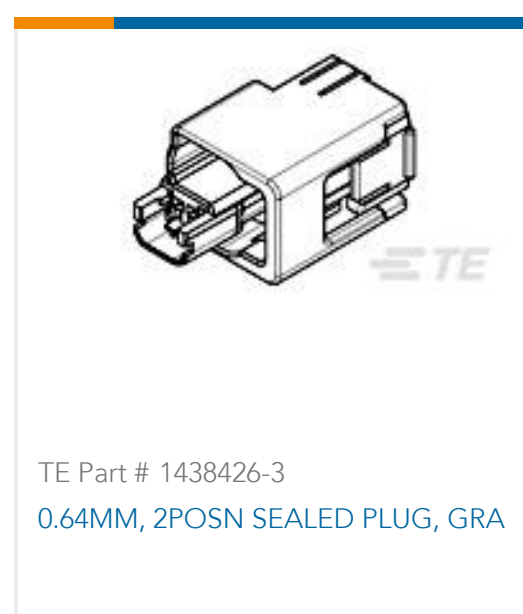
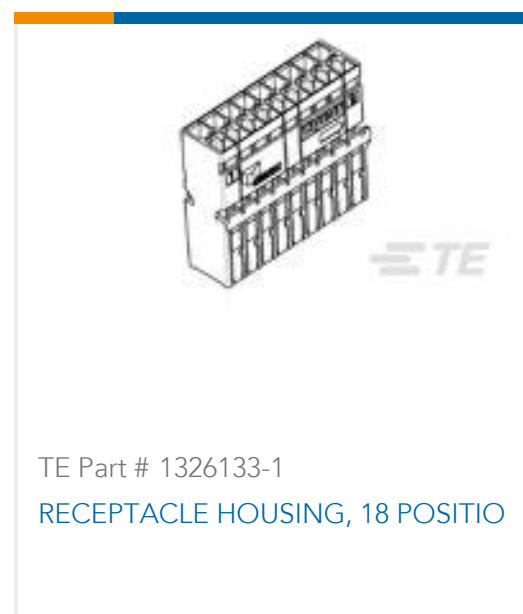
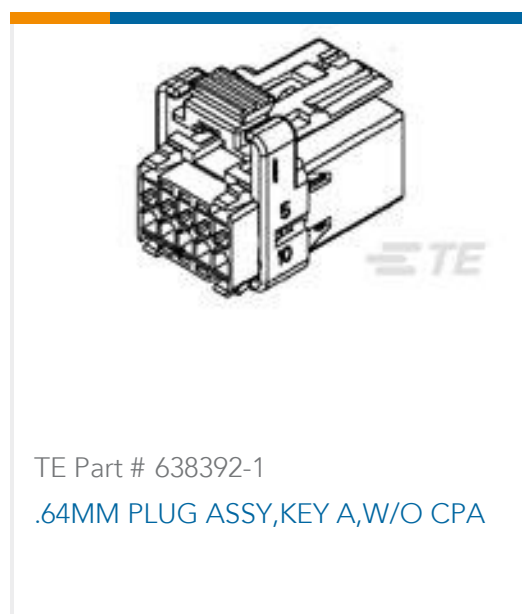
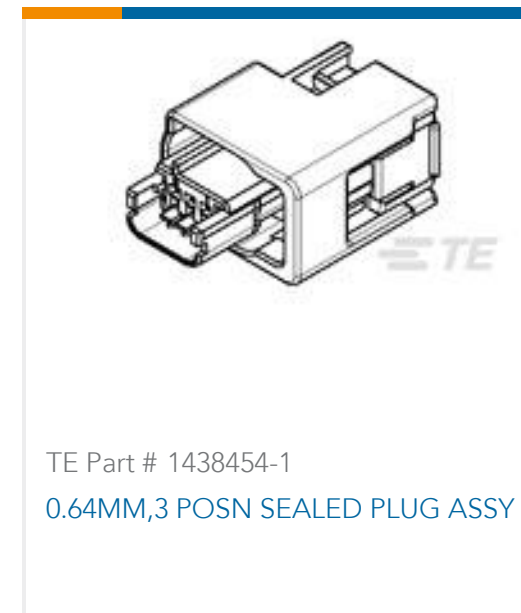
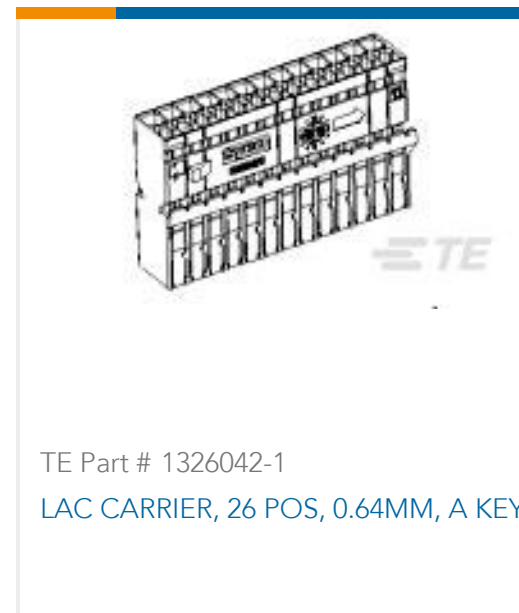
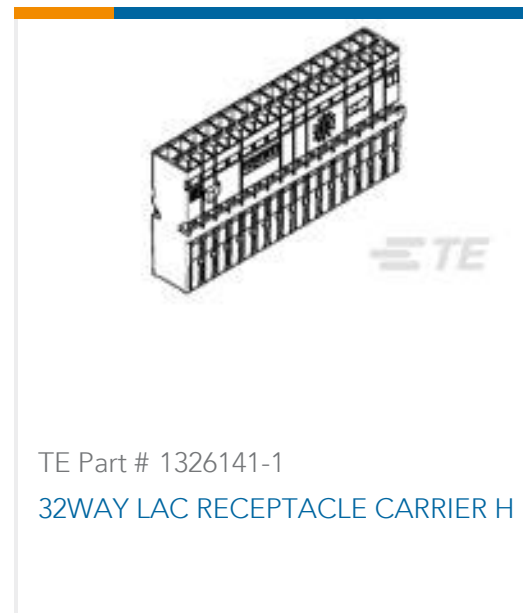
[For compliance documentation, visit the product page on TE.com>](#)

EU RoHS Directive 2011/65/EU	Compliant
EU ELV Directive 2000/53/EC	Compliant
China RoHS 2 Directive MIIT Order No 32, 2016	No Restricted Materials Above Threshold
EU REACH Regulation (EC) No. 1907/2006	Current ECHA Candidate List: JAN 2022 (223) Candidate List Declared Against: JAN 2022 (223) Does not contain REACH SVHC
Halogen Content	Low Halogen - Br, Cl, F, I < 900 ppm per homogenous material. Also BFR/CFR/PVC Free
Solder Process Capability	Not applicable for solder process capability

#### Product Compliance Disclaimer

This information is provided based on reasonable inquiry of our suppliers and represents our current actual knowledge based on the information they provided. This information is subject to change. The part numbers that TE has identified as EU RoHS compliant have a maximum concentration of 0.1% by weight in homogenous materials for lead, hexavalent chromium, mercury, PBB, PBDE, DBP, BBP, DEHP, DIBP, and 0.01% for cadmium, or qualify for an exemption to these limits as defined in the Annexes of Directive 2011/65/EU (RoHS2). Finished electrical and electronic equipment products will be CE marked as required by Directive 2011/65/EU. Components may not be CE marked. Additionally, the part numbers that TE has identified as EU ELV compliant have a maximum concentration of 0.1% by weight in homogenous materials for lead, hexavalent chromium, and mercury, and 0.01% for cadmium, or qualify for an exemption to these limits as defined in the Annexes of Directive 2000/53/EC (ELV). Regarding the REACH Regulation, the information TE provides on SVHC in articles for this part number is based on the latest European Chemicals Agency (ECHA) 'Guidance on requirements for substances in articles' posted at this URL: <https://echa.europa.eu/guidance-documents/guidance-on-reach>

## Compatible Parts

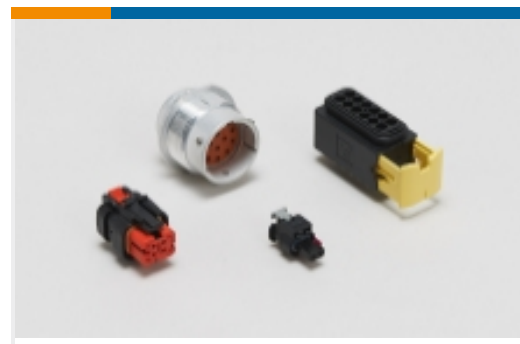


Also in the Series | **AMP 0.64 Connector System**

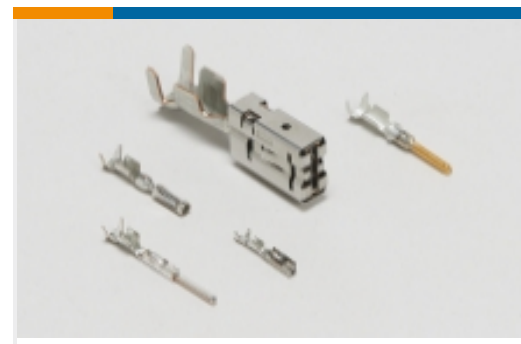




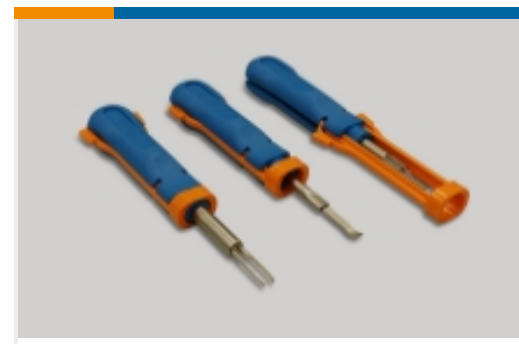
Automotive Connector Caps & Covers (19)



Automotive Housings(31)



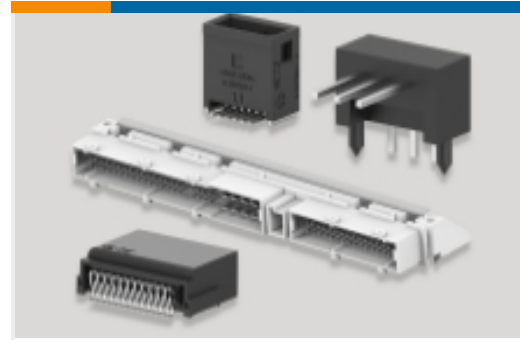
Automotive Terminals(13)



Insertion & Extraction Tools(1)

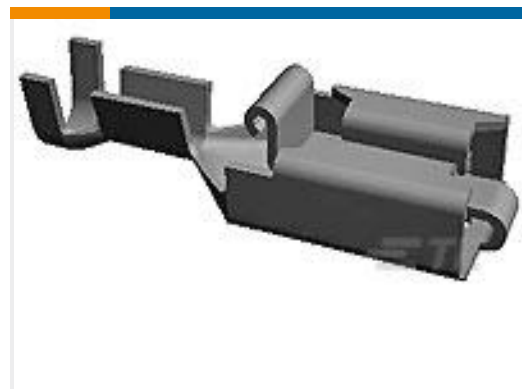


Other Automotive Connector Accessories(1)

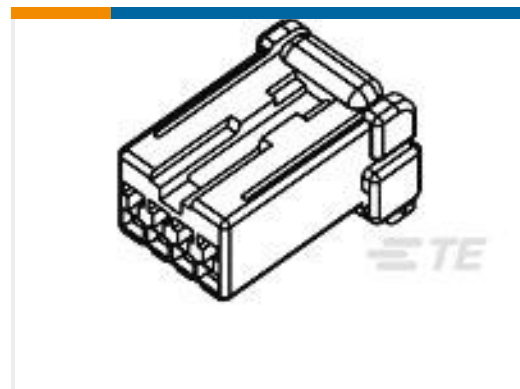


PCB Headers & Receptacles(42)

## Customers Also Bought



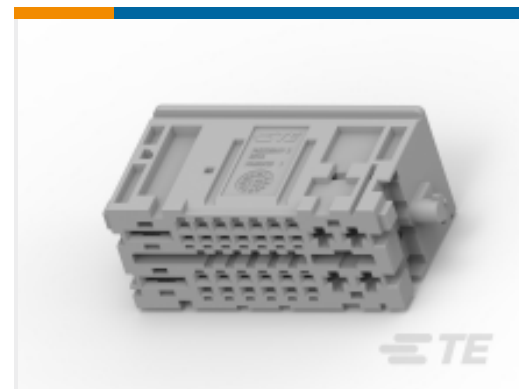
TE Part #281828-2  
PL 2.5-4.0 MM2 TPBR



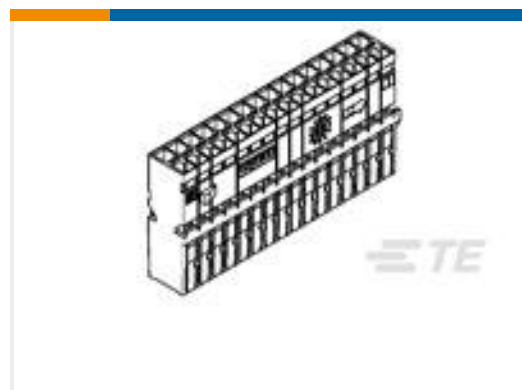
TE Part #776204-2  
6POS PLUG HSG, .040 SERIES BLK



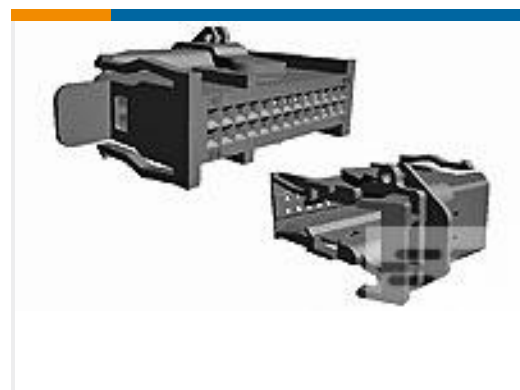
TE Part #2098627-2  
22P UNSEALED HYBRID PLUG ASSEM



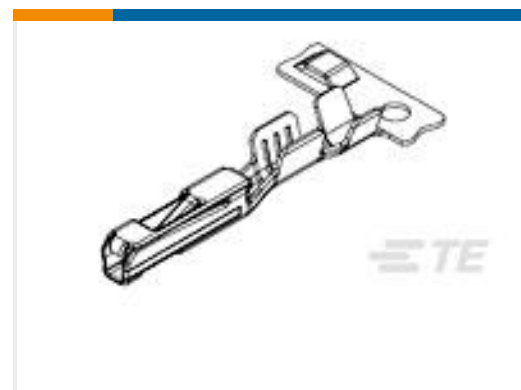
TE Part #2236047-2  
32POS, MIXED, RECEPTACLE CONNECTOR, COD B



TE Part #1326141-1  
32WAY LAC RECEPTACLE CARRIER H



TE Part #1326140-1  
32WAY LAC SHIELD ASSEMBLY 70 D



TE Part #1326028-2  
0.64MM FEMALE CONTACT, AU, 22AWG



TE Part #1-2287336-1  
72POS, MIXED, REC HSG, ASSY



TE Part #2236048-1  
KIT SEC. LOCK FOR 32 WAYS CONN.



TE Part #2209954-2  
AIRBAG 24P COVER ASSY

## Documents



### Product Drawings

[CONTACT,FEMALE,0.64MM,SN,22](#)

English

---

### CAD Files

Customer View Model

[ENG\\_CVM\\_638551-2\\_B.3d\\_igs.zip](#)

English

Customer View Model

[ENG\\_CVM\\_638551-2\\_B.3d\\_stp.zip](#)

English

Customer View Model

[ENG\\_CVM\\_638551-2\\_B.2d\\_dxf.zip](#)

English

[3D PDF](#)

English

By downloading the CAD file I accept and agree to the [Terms and Conditions](#) of use.

---

### Product Specifications

[Application Specification](#)

English

---

### Product Environmental Compliance

[Product Compliance](#)

English

[Product Compliance](#)

English

---

### Instruction Sheets

[Instruction Sheet \(U.S.\)](#)

English

[Instruction Sheet \(U.S.\)](#)

English