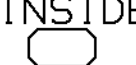
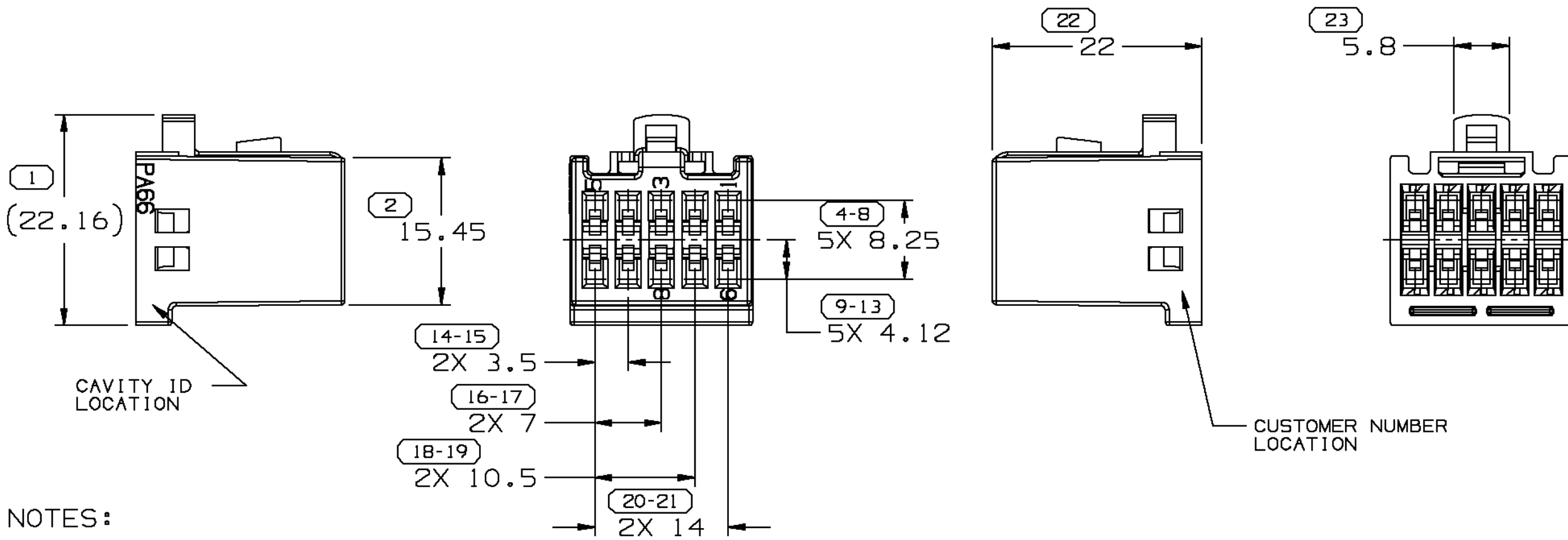
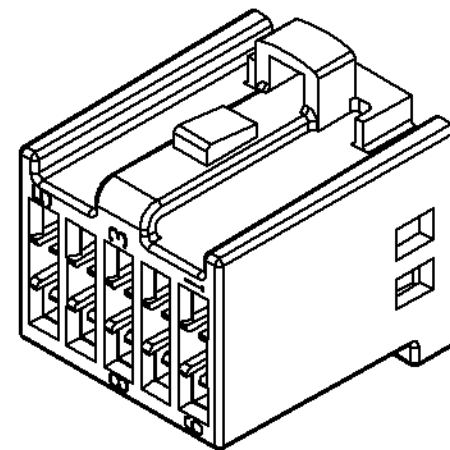
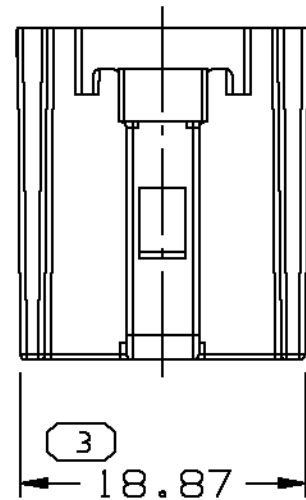


SYMBOL DEFINITION		MISSING NUMBERS	
THE NUMBER INSIDE THE SYMBOL  CORRESPONDS TO THE NUMBER ON THE INSPECTION REPORT FOR THIS DRAWING/PART NUMBER	TOTAL NO. OF SYMBOLS ON DRAWING 11		
	LAST NO. USED 23		

DWG STATUS					ZONE	REVISION HISTORY				AUTH	DR	CK	APVD
DATE	STG	REV	CHG	N/P									
11DE98	R	001	-	-		RELEASED				980005	DEH	DEH	JA
29MR99	R	002	-	-		REVISED MODEL				194015	DEH	DEH	LP
18JN99	R	003	-	-		DRAWING REVISED				194069	RJP	RJP	LP
24JA02	R	003	-	AA		REVISED MATL WAS R0071754 PA66 HS IM - BLK; REVISED NOTE 2, CONN WAS 15336737 OR EQUIVALENT; REMOVED "OR EQUIVALENT" FROM TPA & TERMINAL; ADDED NOTE 3				219828	MAC	MAC	LP



NOTES:

- UNLESS OTHERWISE SPECIFIED AND/OR INDICATED: DIMENSIONS ARE TO FACE OF VIEW SHOWN AND AUTOMATICALLY ROUNDED BY COMPUTER FOR INSPECTION. (SEE MATH MODEL FOR PRECISE DIMENSION) FOR ALL OTHER DIMENSIONS NOT SHOWN BUT REQUIRED FOR TOOL BUILD, SEE MATH MODEL FOR PRECISE TOOL PATH DATA.
- MATING COMPONENTS OR EQUIVALENT:
CONNECTOR 15329066 OR 15359295
TPA 15329074
TERMINAL 12191811
- FOR MATING DETAIL INFORMATION, REFERENCE 15358928
- MATERIAL RECYCLING CODE >PBT-GF30< PER SAE J1344. (2.3)X(0.1) RAISED CHARACTERS AS SHOWN TO BE LOCATED ON ANY EXTERIOR SURFACE. OPTIONAL CONSTRUCTION TO BE NO MATERIAL RECYCLING CODE.
- (2.3)X(0.1) RAISED DELPHI CORPORATE BRAND TO BE LOCATED ON ANY EXTERIOR SURFACE, PREFERABLY VISIBLE AT FINAL ASSEMBLY. OPTIONAL CONSTRUCTION TO BE "PED" OR NO LOGO.

THE DIMENSION NUMBER(S) SHOWN BELOW INDICATE DIMENSIONS THAT ARE PROCESS SENSITIVE FOR PART PRODUCTION					
1	3	22			
DIMENSIONS ENCLOSED IN () INDICATE REFERENCE DIMENSIONS AND NO TOLERANCE LIMITS ARE ESTABLISHED					
DIMENSIONAL RANGE (MM) CHART E					
FROM	0	> 20	> 30	> 70	> 100
TO	20	30	70	100	
TOLERANCE UNLESS OTHERWISE SPECIFIED					
	±0.15	±0.2	±0.3	±0.4	±0.5
ANGULAR TOLERANCE ± 2°					

DELPHI Automotive Systems					
MATERIAL SPEC M3592001 PA66 HS IM - BLK					
SUBSTANCES OF CONCERN AND RECYCLED CONTENT PER DELPHI-A 10949001					
PART DRAWING				DISTR CODE D	
CODE NUMBER 6901	DWG DATE 11DE98	SCALE 2:1			
QC SPEC	STYLE	VOLUME cm ³ 3.286			
PART GEOMETRY 3D SOLID	UNLESS OTHERWISE SPECIFIED: THIS DOCUMENT IS IN ACCORDANCE WITH ASME Y14.5M - 1994 AS AMENDED BY THE GM GLOBAL DIMENSIONING AND TOLERANCING ADDENDUM - 1997. ALL GEOMETRIC TOLERANCES AND RELATED DATUMS APPLY RFS. RULE #1 (PERFECT FORM AT MMC) DOES NOT APPLY WHEN RELATIONSHIP BETWEEN FEATURES IS ESTABLISHED BY ORIENTATION OR LOCATION TOLERANCES. SEPARATE POSITION CALLOUTS MAY BE GAGED SEPARATELY REGARDLESS OF DATUM REFERENCES.				
COPY OF MATH DATA DO NOT SCALE	REFERENCE		DR	D. HEBERLEIN	DATE 11DE98
			APVD1	D. HEBERLEIN	11DE98
			APVD2	D. HEBERLEIN	11DE98
			APVD3	J. ANGELO	04JA99
			APVD4		
		APVD5			
METRIC UNLESS OTHERWISE SPECIFIED, ALL DIMENSIONS ARE IN MILLIMETERS					
THIRD ANGLE PROJECTION	DRAWING NAME CONN 10F GT 150				
SHEET NUMBER 1 OF 1	DRAWING NUMBER 15329073		DWG STATUS R 003 AA		
		SIZE A2			