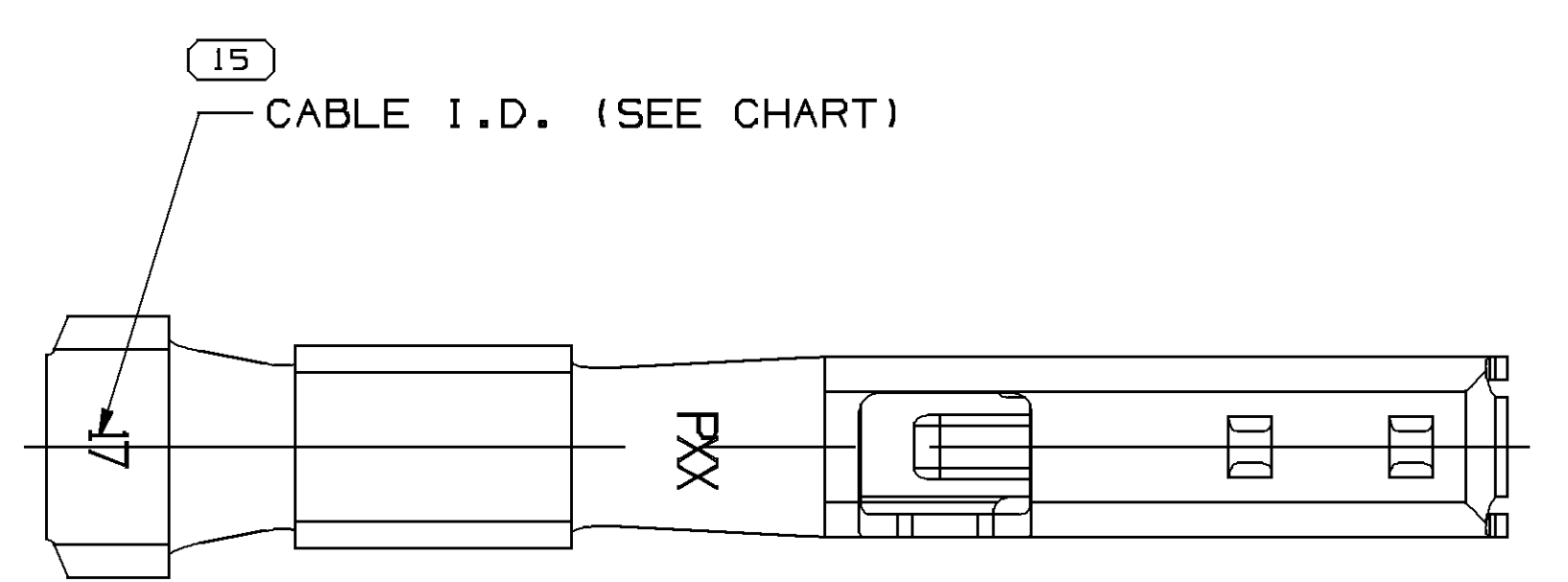
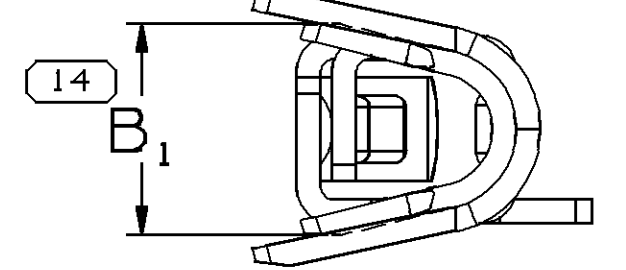
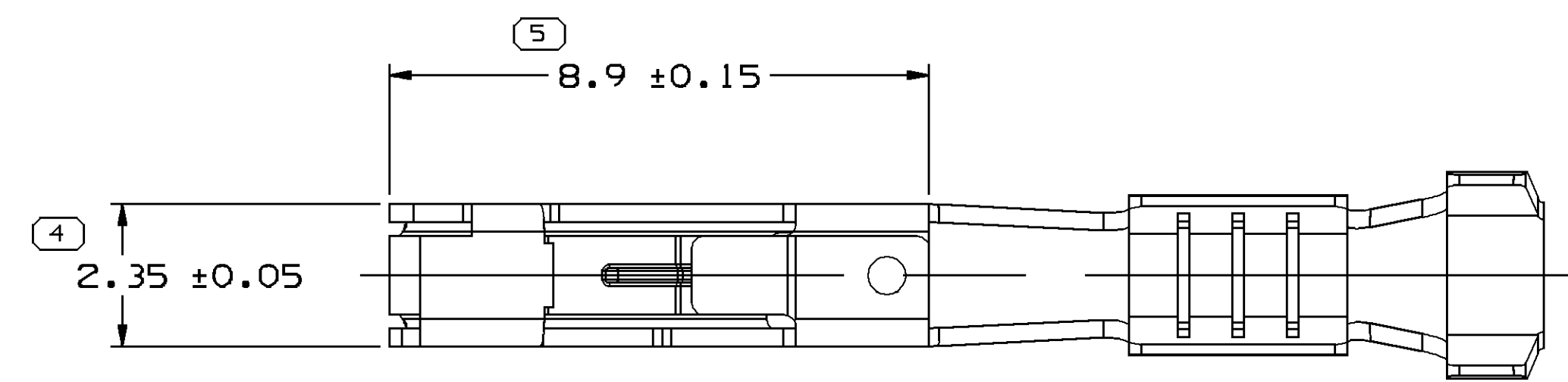
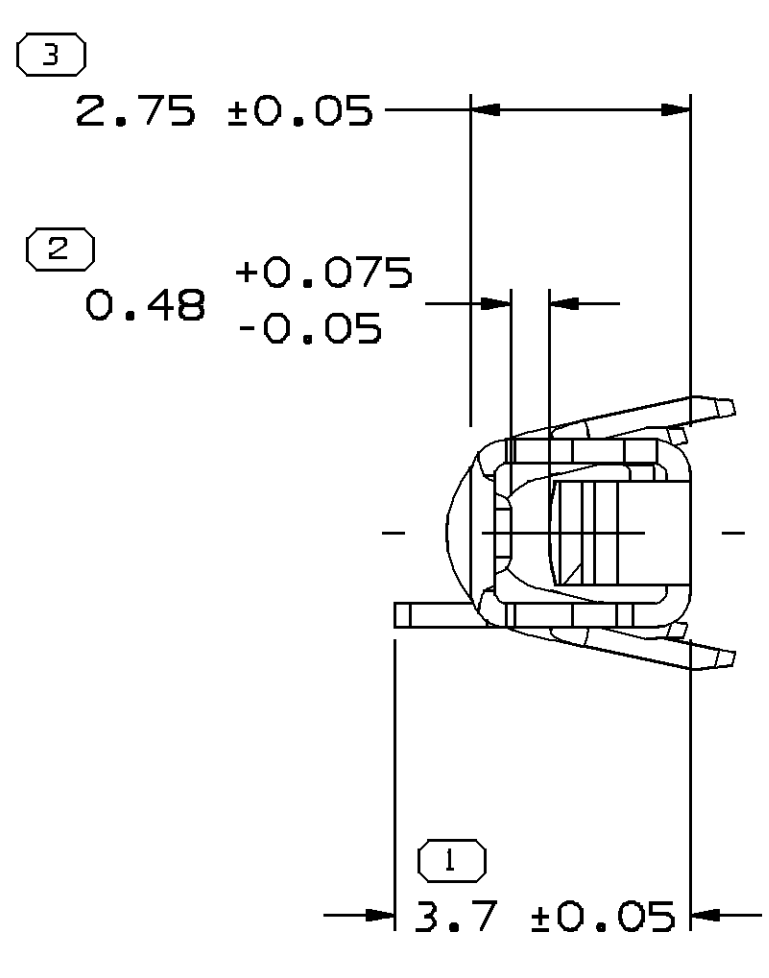
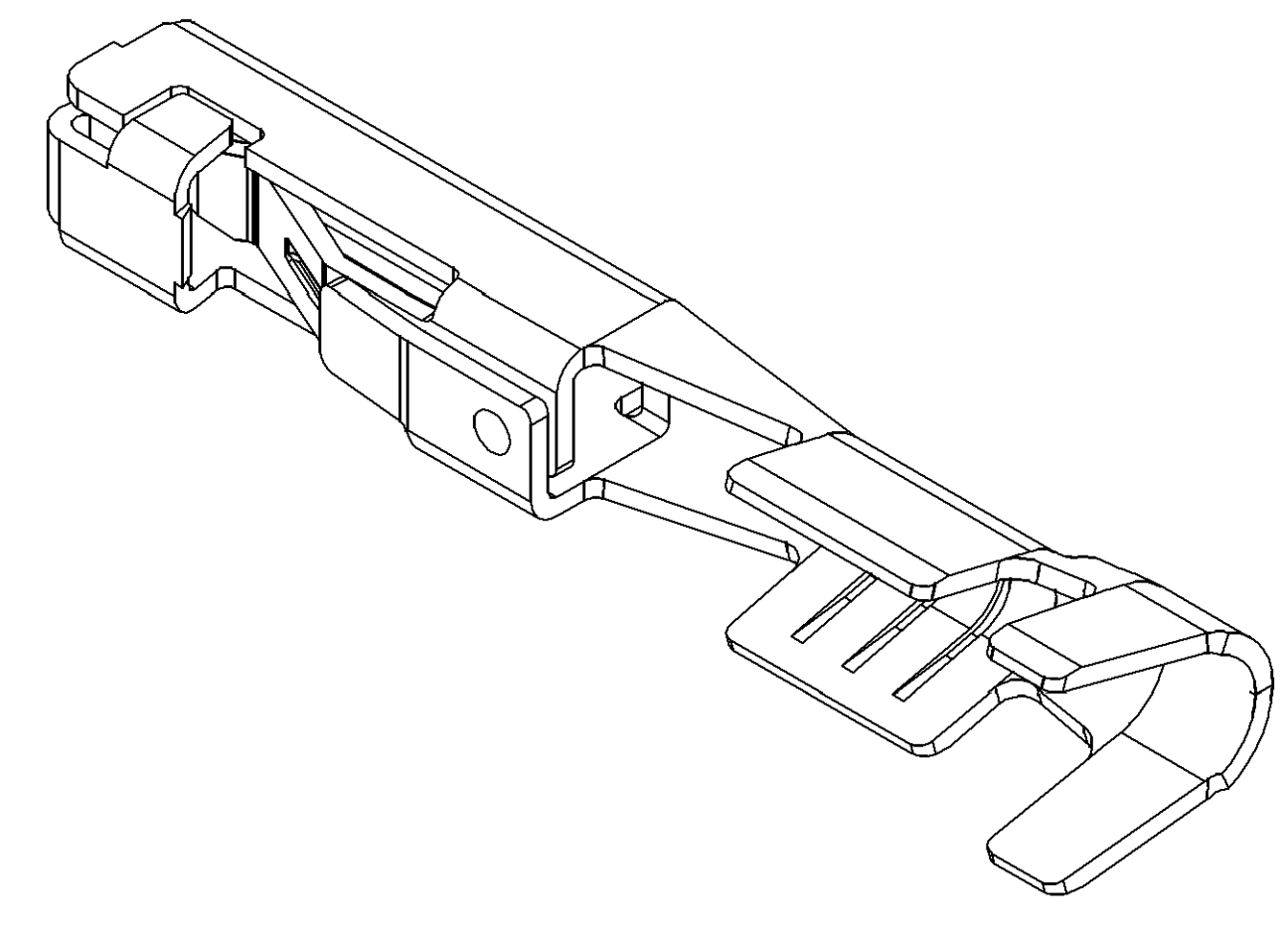
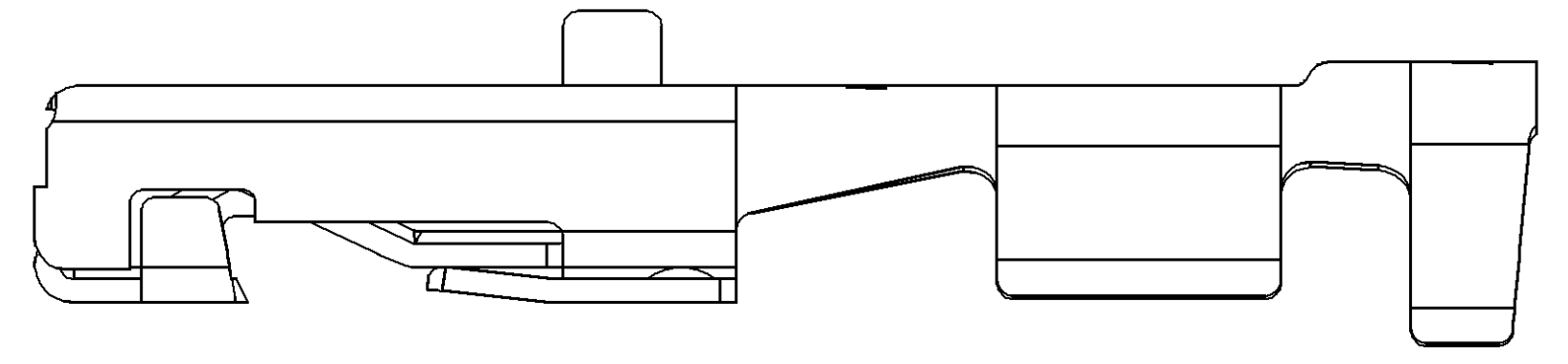
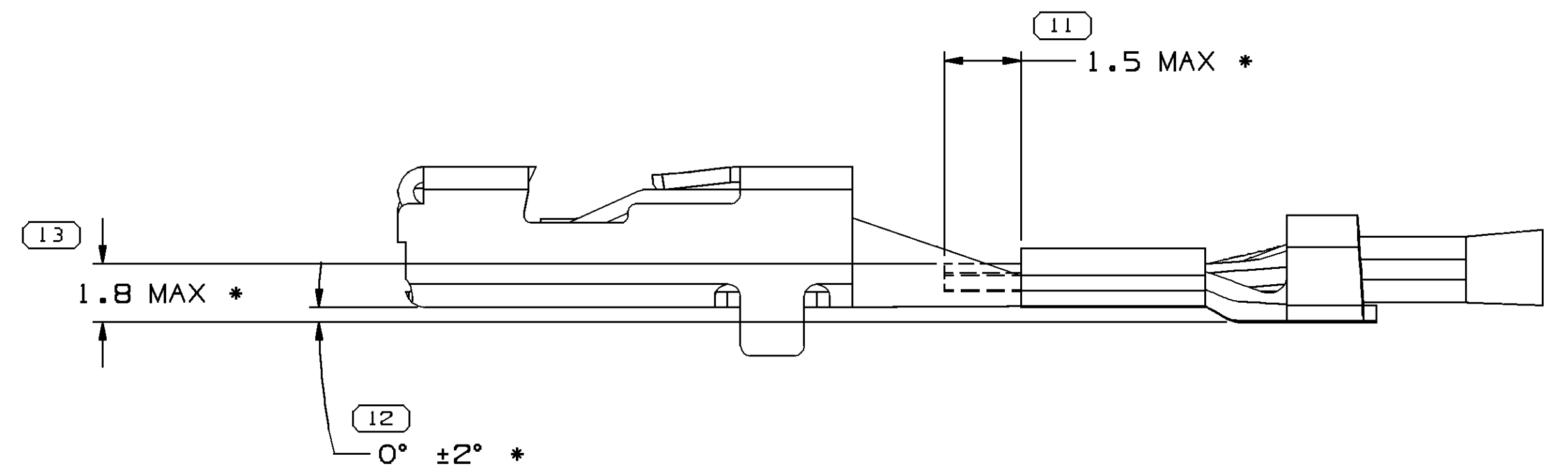
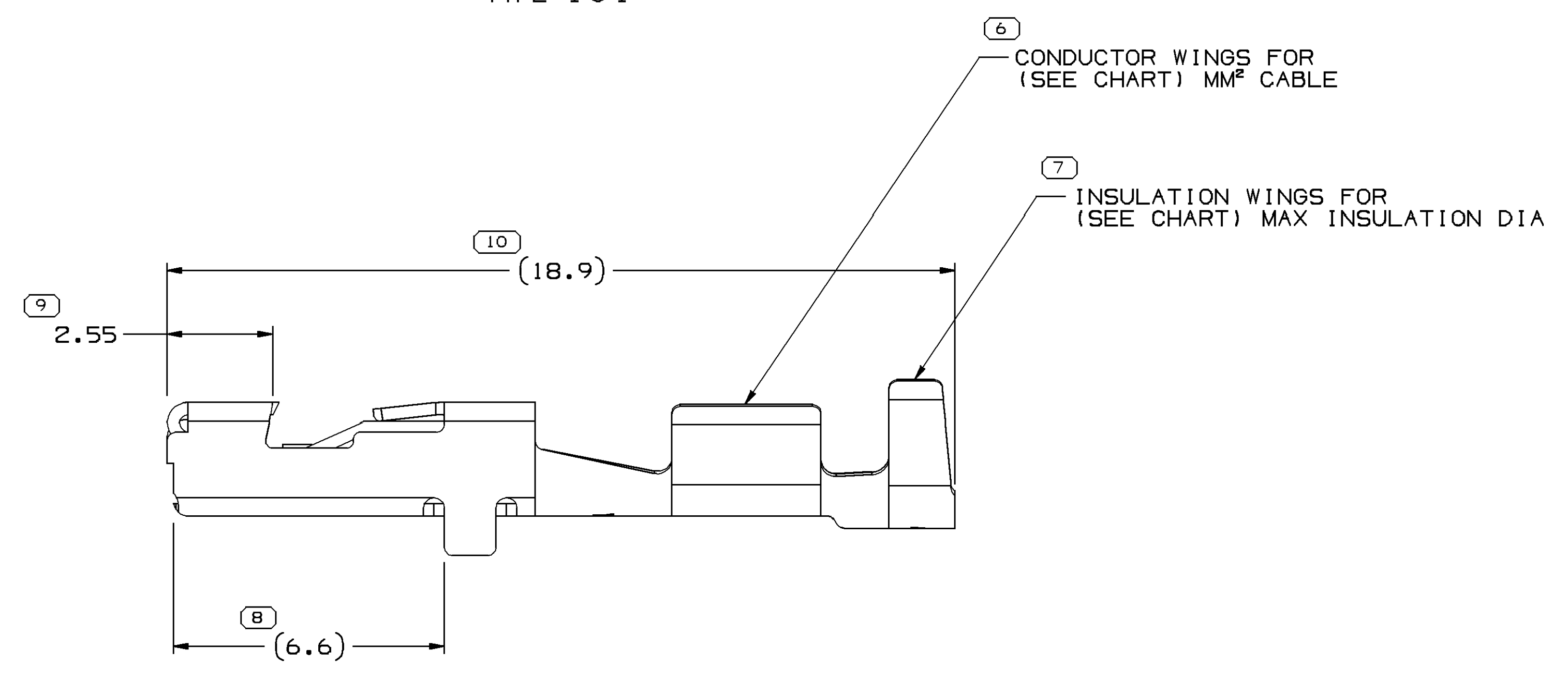


SYMBOL DEFINITION		TOTAL NO OF INSPECTIONS REQUIRED	15
A DIMENSION WITHOUT AN INSPECTION REPORT SYMBOL DOES NOT REQUIRE INSPECTION. IT MAY BE CONTROLLED ON THE INDIVIDUAL COMPONENT DRAWING.		LAST NO. USED	15

MISSING SYMBOLS					NO MISSING SYMBOL NUMBER					
DATE	STG	REV	N/P	CHG	ZONE	REVISION HISTORY	AUTH	DR	APVD	
05M105	R	01	-	-	-	ALL PARTS - RELEASED	266775	HAM	HAM	WLM
03JN05	R	02	-	-	-	ALL PARTS - ADDED 10° BACK ANGLE ON LOCK SURFACE & NOTE #4	268600	HAM	HAM	WLM
19SE05	R	03	-	-	-	ALL PARTS - REVISED DIMS IN TQD	271682	LMB	LMB	WLM
12JA06	R	04	-	-	-	UPDATED PDM ATTRIBUTES	276210	LMB	LMB	WLM
27JA06	R	05	-	-	-	ALL PARTS - REVISED GRAPHICS	276765	PCP	PCP	WLM
27FE06	R	06	-	-	-	UPDATED PDM ATTRIBUTES	277892	MM	MM	WLM



TYPE 101



- NOTES
- UNLESS OTHERWISE SPECIFIED AND/OR INDICATED:
DIMENSIONS ARE TO FACE OF VIEW SHOWN AND AUTOMATICALLY ROUNDED BY COMPUTER FOR INSPECTION (SEE MATH MODEL FOR PRECISE DIMENSIONS). FOR ALL OTHER DIMENSIONS NOT SHOWN BUT REQUIRED FOR TOOL BUILD, SEE MATH MODEL FOR PRECISE TOOL PATH DATA.
 - REFERENCE MATING COMPONENTS OR EQUIVALENT:
TERMINAL MUST MATE WITH 0.8MM THICK BLADES WITHOUT EXCEPTION
 - * DENOTES DIMENSIONS MADE AT CUT-OFF AND CRIMP DIE.
 - DO NOT PROBE, TEST OR OTHERWISE CONTACT THE INTERIOR REGION, SPRING OR ANY MOVING PART OF THIS TERMINAL. SEVERE DAMAGE CAN OCCUR, COMPROMISING THE PERFORMANCE OF THE ELECTRICAL INTERFACE.

PART DRAWING	
STYLE	D
VOLUME 10/1	DISTR CODE
UNLESS OTHERWISE SPECIFIED	
THIS DOCUMENT IS IN ACCORDANCE WITH ASME Y14.5M-1994 AS AMENDED BY Y14.5M-2009 DIMENSIONING AND TOLERANCE PRACTICES. SEPARATE WRITINGS OF TOLERANCE ADDENDUMS SHALL BE BASED SEPARATELY PER DELPHI REFERENCES.	
ALL DIMENSIONS ARE IN MILLIMETERS	

DELPHI	
DELPHI PACKARD ELECTRIC SYSTEMS	
WARREN, OH	
DR	DATE
APV01 HOLLY A. MEEKER	05MY05
APV02 HOLLY A. MEEKER	05MY05
APV03 WILLIAM L. MEASE	07JN05
APV04	
APV05	
SUBSTANCES OF CONCERN AND RECYCLED CONTENT PER DELPHI 10949001	
DRAWING NAME	
TAXI TERM F GT FBT 150	
DRAWING NUMBER	
13526681	
SIZE	SCALE
A0	10:1
FRAME NO	SHEET NO
1 OF 1	1 OF 1
REV	N/P
06	-

PART NO	REV	N/P	STATUS	TYPE	MAT'L SPEC	MAT'L SIZE	SIZE (MM ²)	ID	DIA	B ₁ ± 0.05
13526680	03	AC		102	M3659A23 C42500 EX HD	0.3 X 27.3B	0.35 - 0.5	21	1.8 - 1.2	2.1
13526678	03	AC		101	M3659A23 C42500 EX HD	0.3 X 27.3B	0.75 - 1	17	2.25 - 1.7	2.65

DELPHI: 13526681 - CUS01-301 Date: 08-Feb-06 Time: 14:02