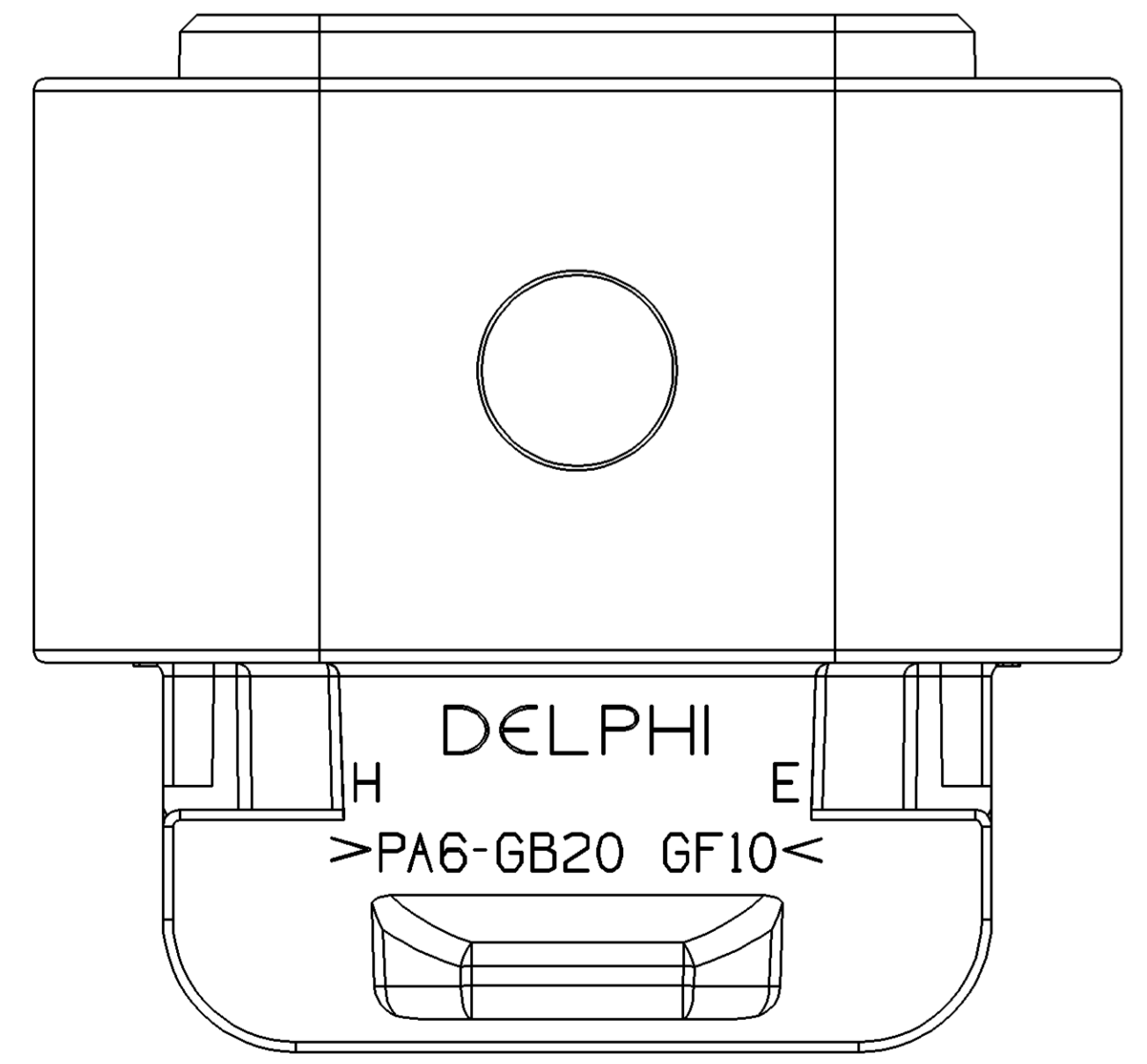
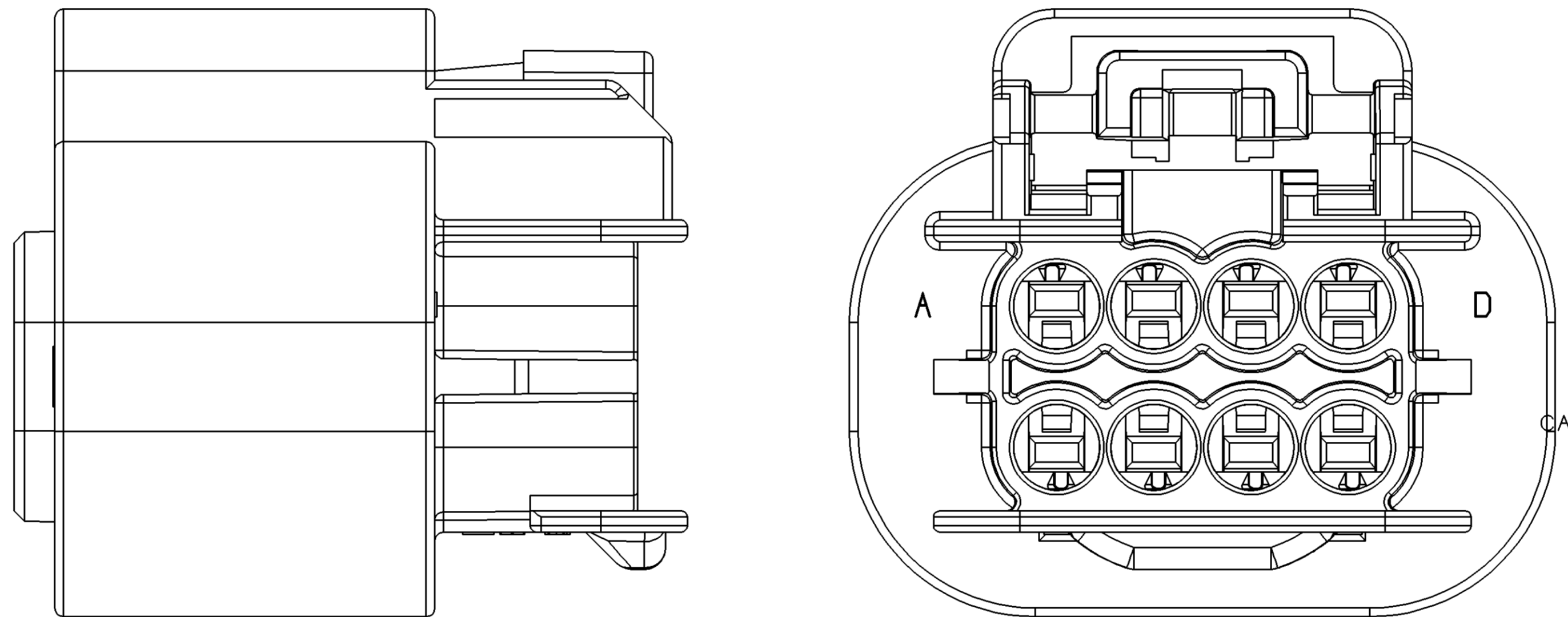
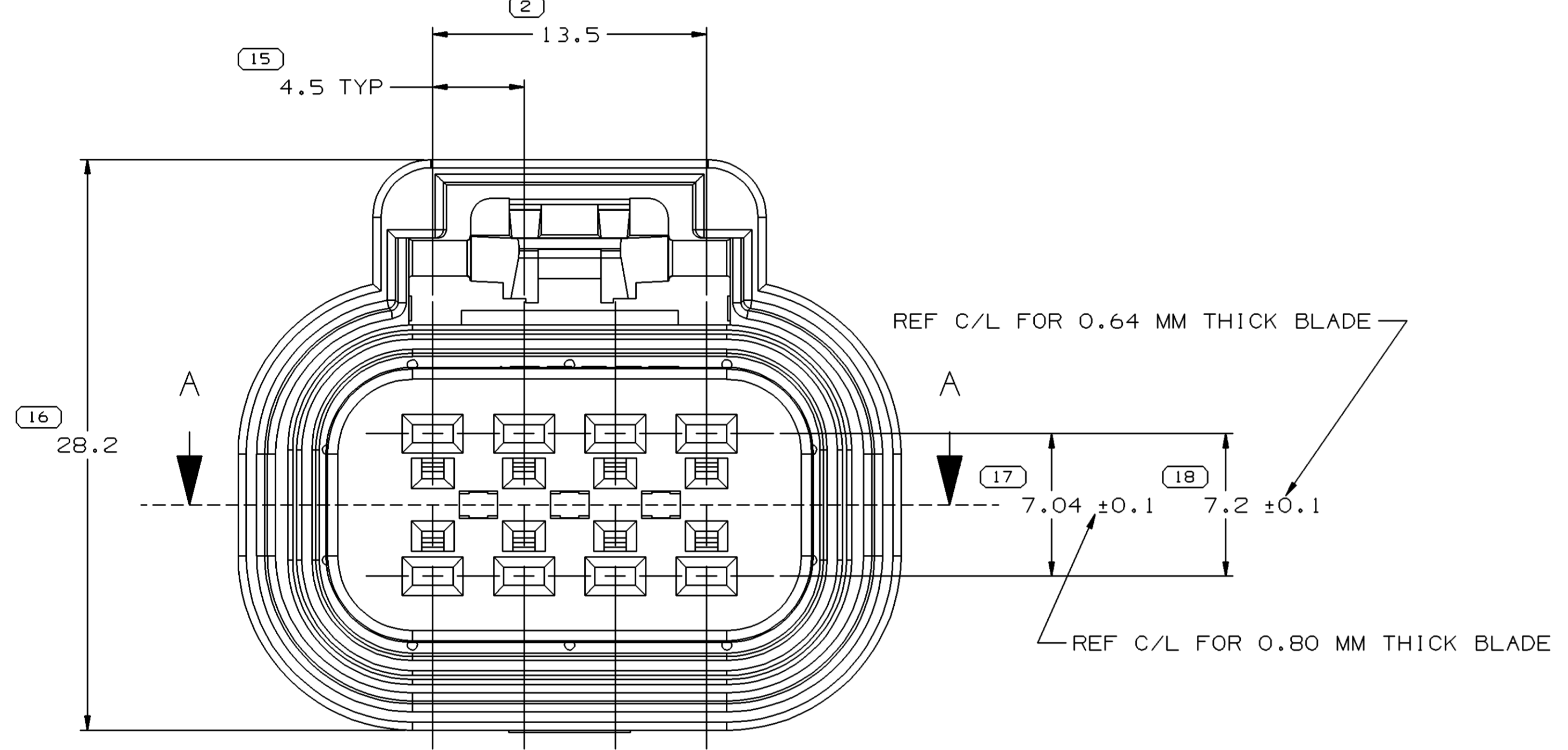
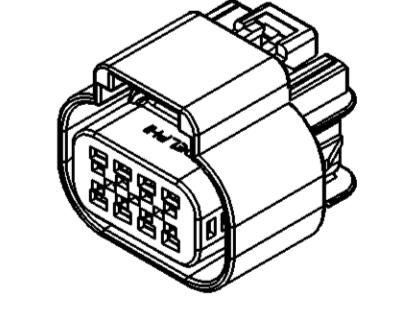
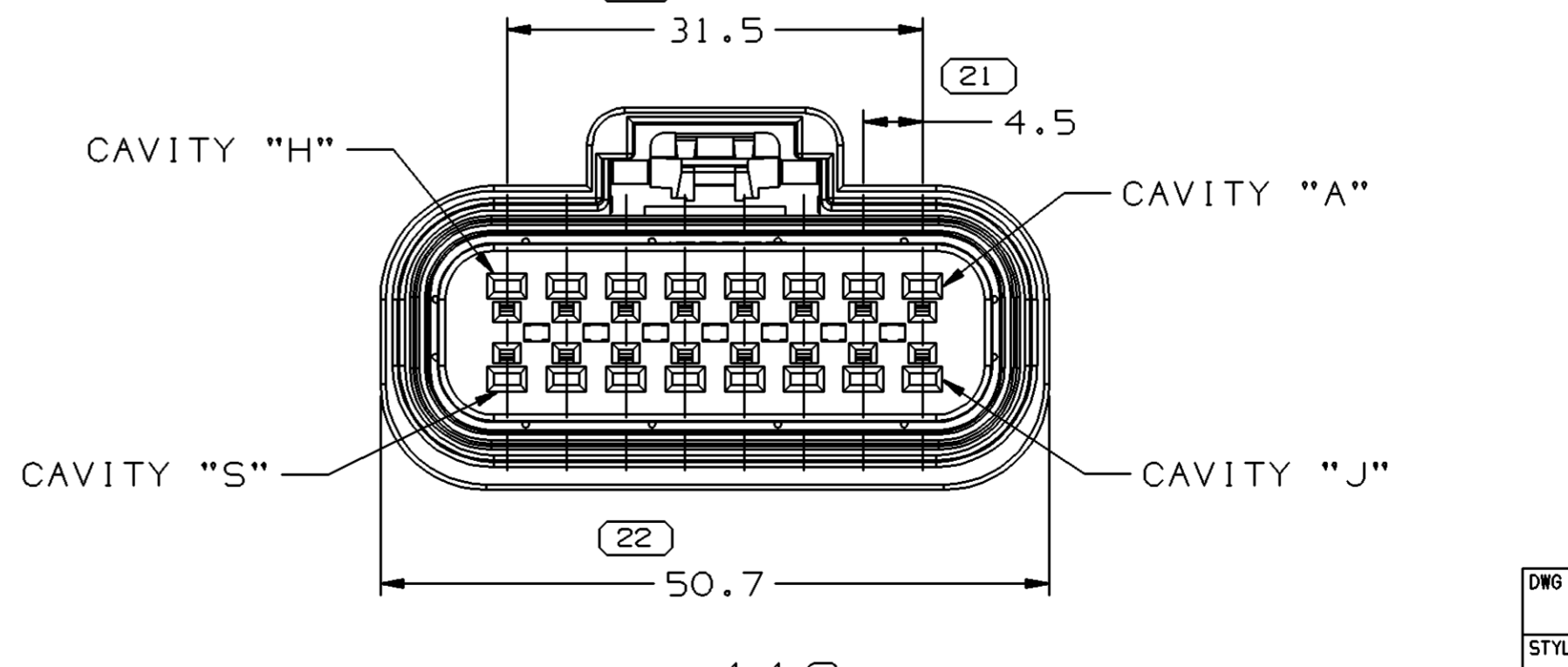
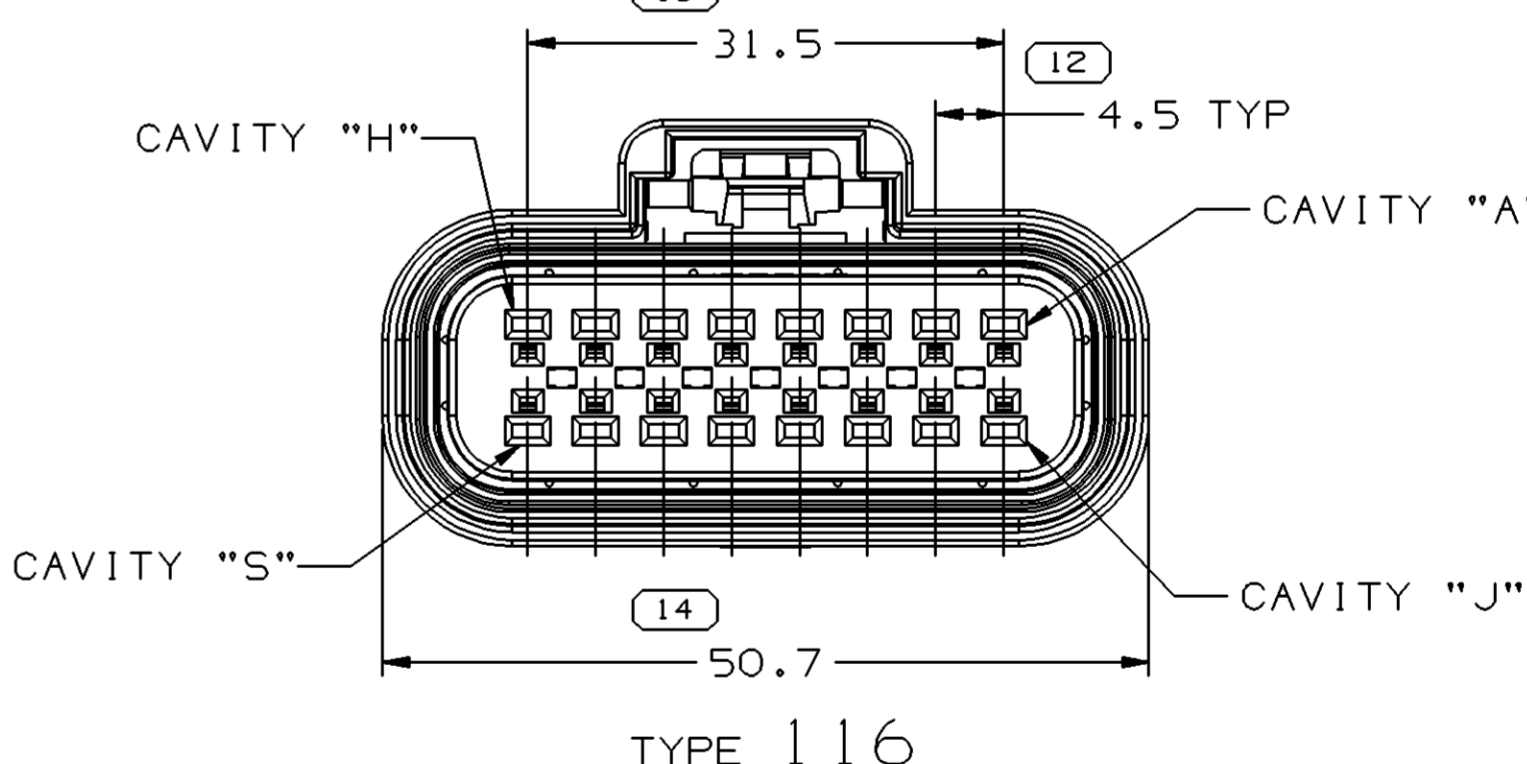
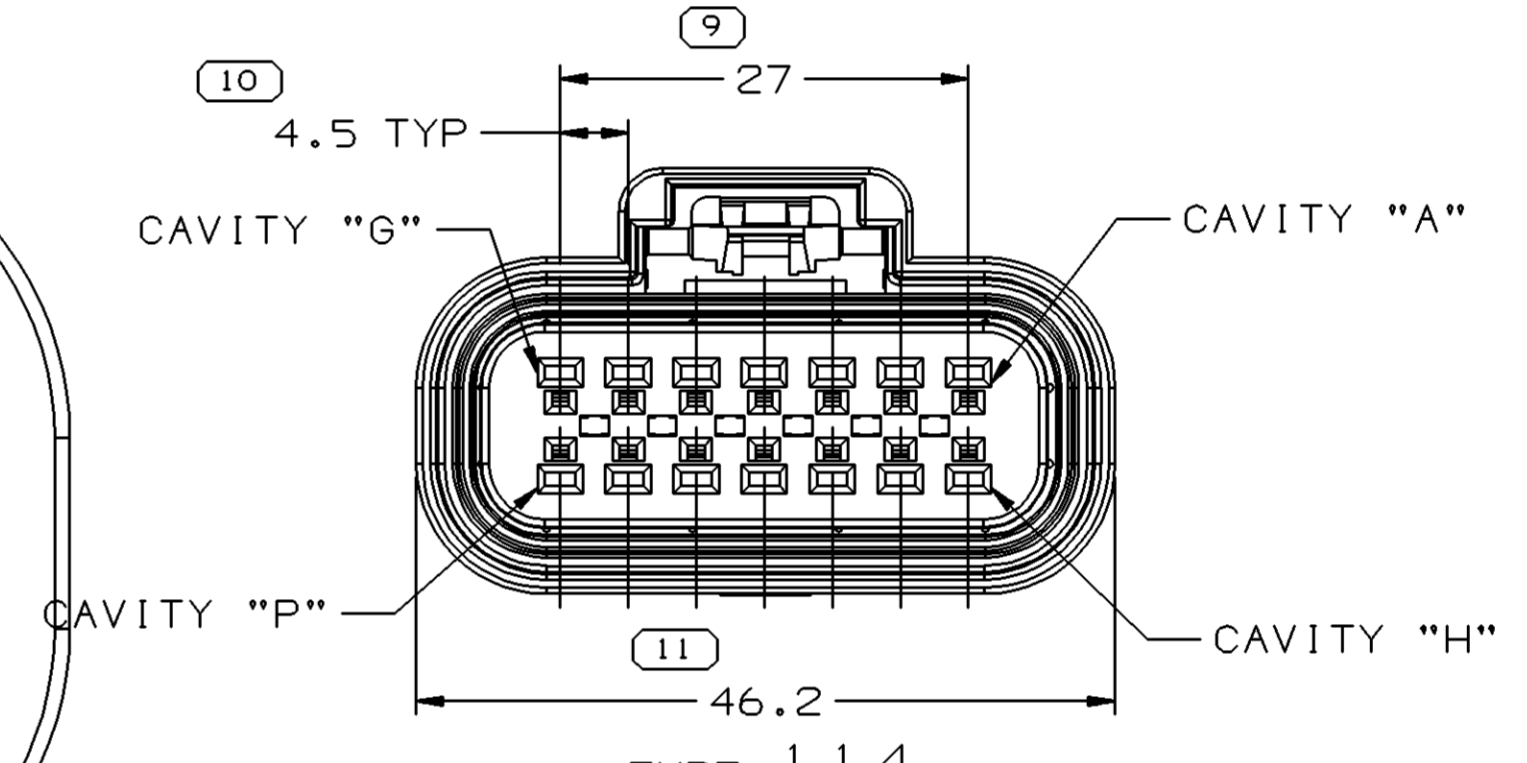
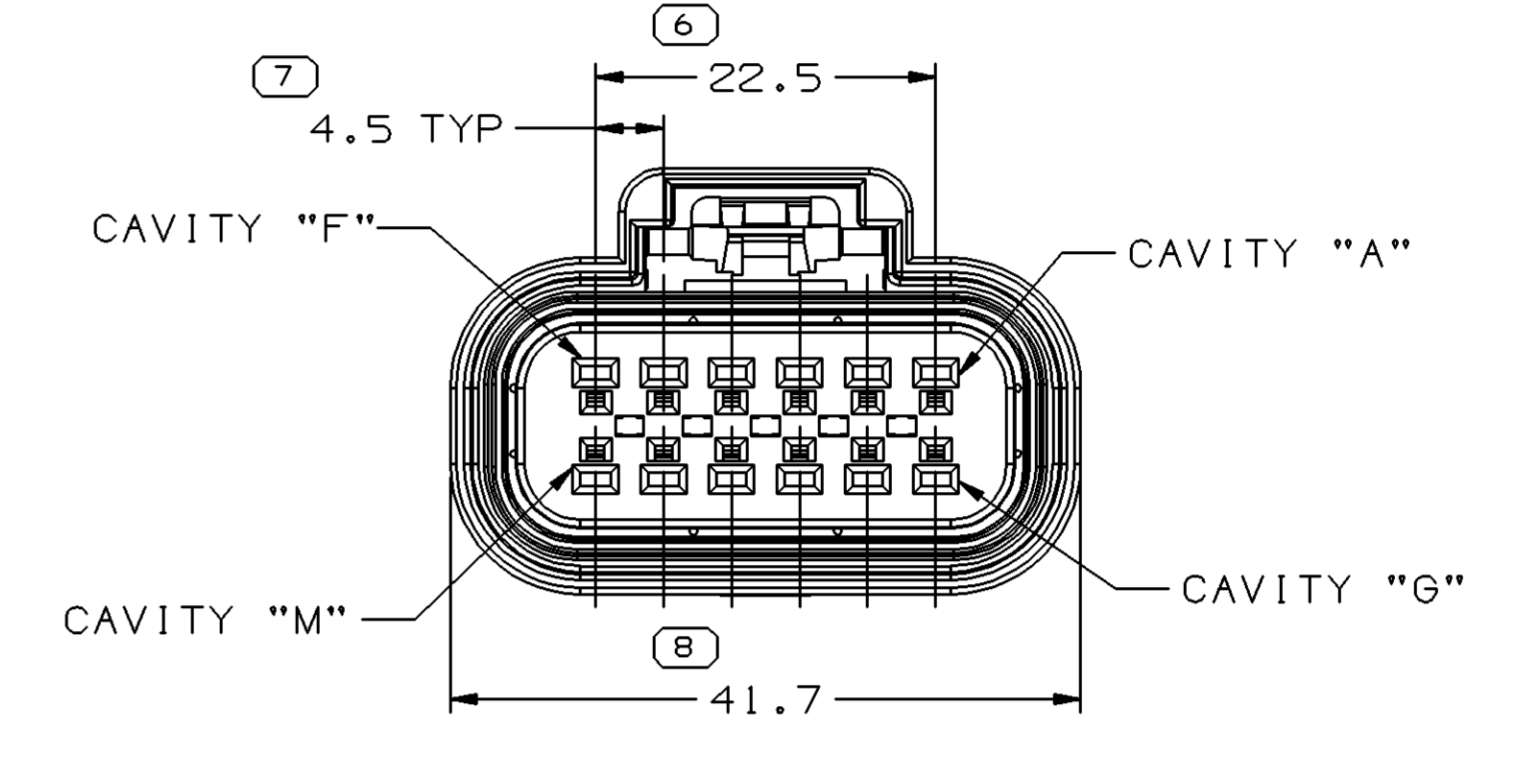
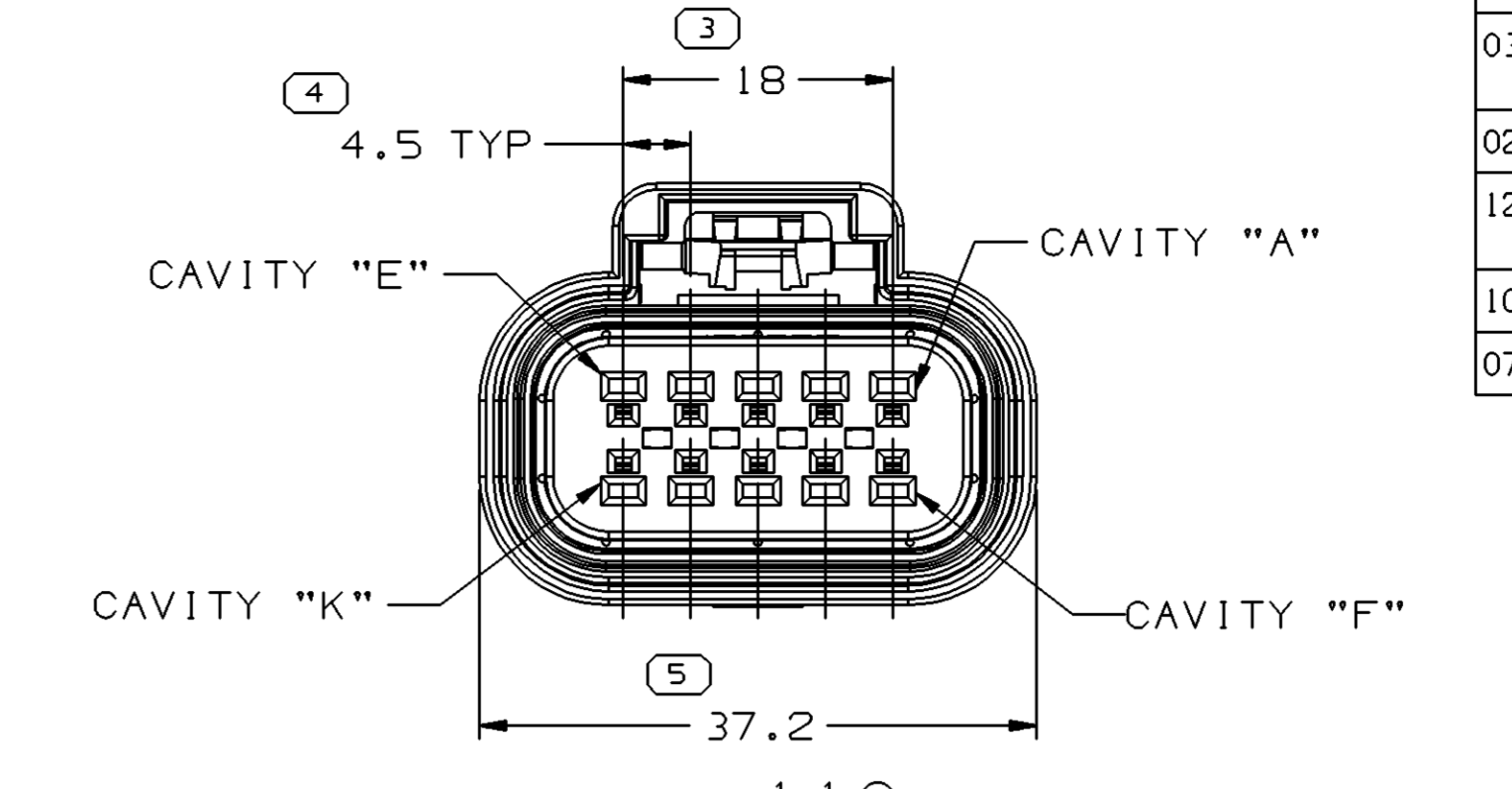
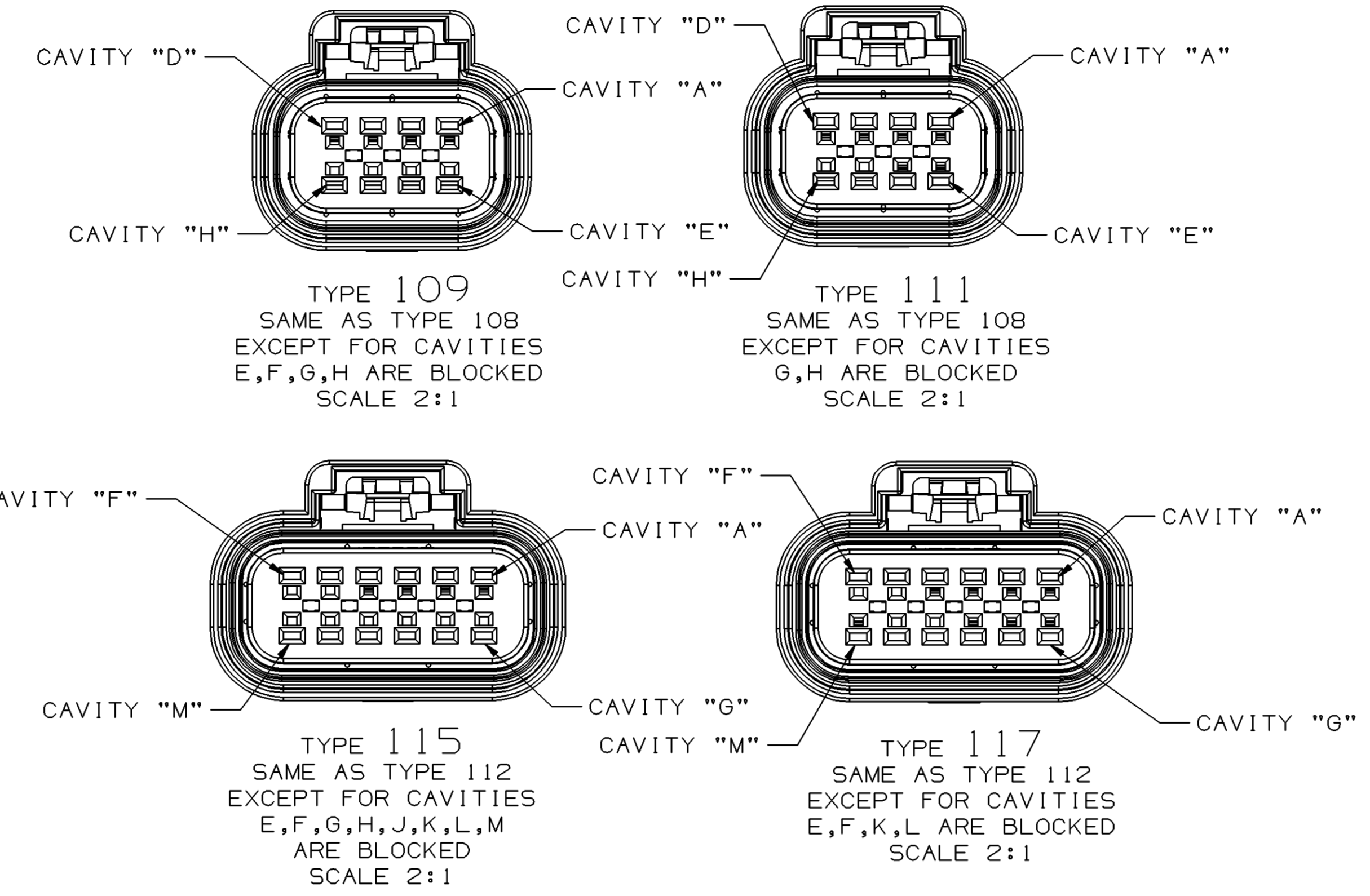
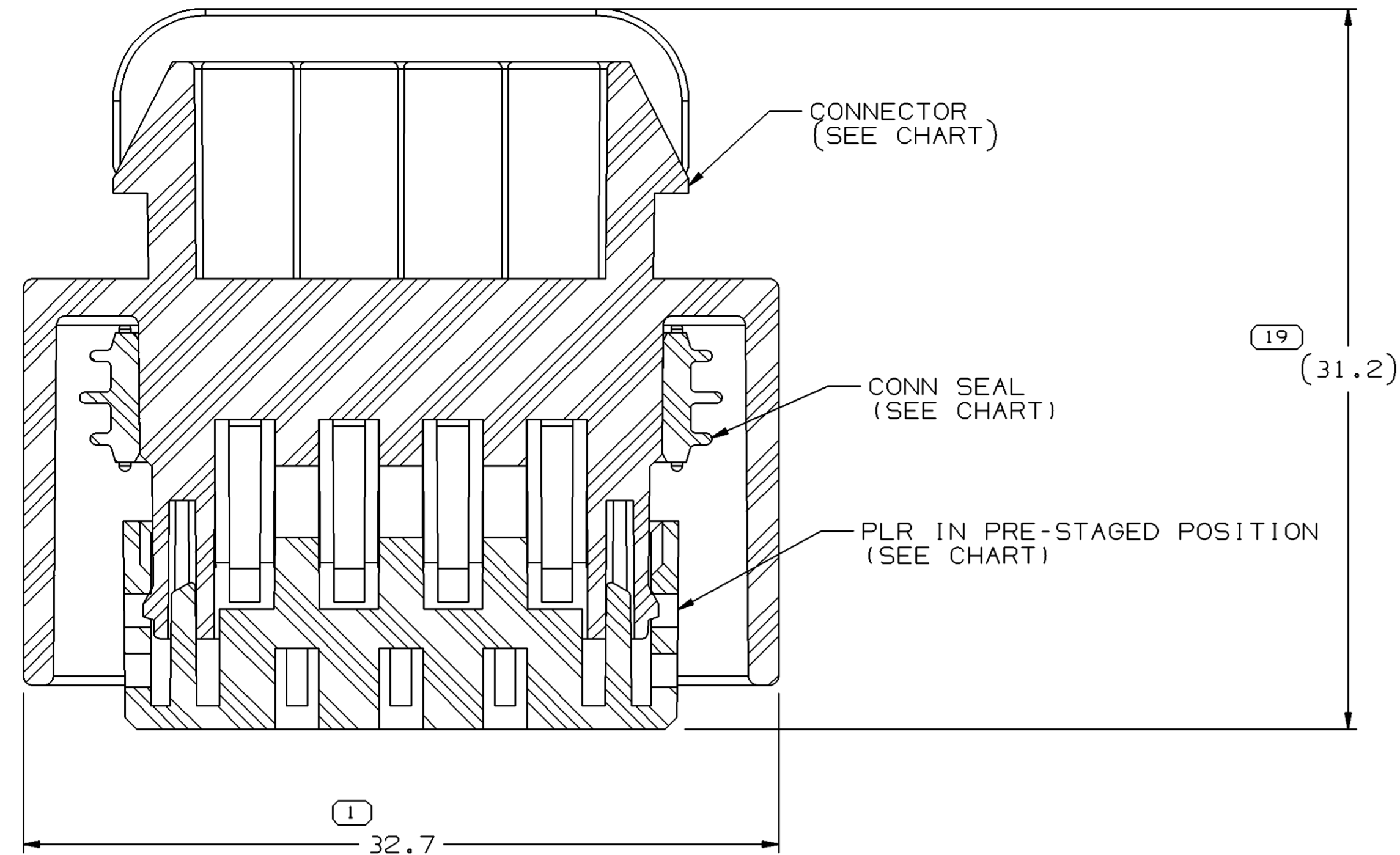


SYMBOL DEFINITION		TOTAL NO OF INSPECTIONS REQUIRED		MISSING SYMBOLS	
A DIMENSION WITHOUT AN INSPECTION REPORT SYMBOL DOES NOT REQUIRE INSPECTION. IT MAY BE CONTROLLED ON THE INDIVIDUAL COMPONENT DRAWING.		22		NO MISSING SYMBOL NUMBER	
		LAST NO. USED	22		

DWO STATUS						REVISION HISTORY				AUTH		
DATE	STG	REV	N/P	CHG	ZONE					DR	APVD	APVD
12MR02	R	04	-	-		CLEARED REVISION COLUMN ALL PARTS - REDRAWN TO NEW FORMAT & ADDED TPA COLUMN				222112	LMB	LMB
28JN02	R	05	-	-		UPDATED POM ATTRIBUTES				227240	HAM	HAM
30AP03	-	06	-	-		15465944 THRU 15465947 - RELEASED				239314	JS	JS
020C03	R	07	-	-		15479300 - RELEASED				246054	EES	EES
030C03	R	08	-	-		ALL PARTS EXCEPT 15479300 - UPDATED WITH CURRENT CONNECTOR REVISIONS				246605	EES	EES
02N003	R	09	-	-		ALL PARTS - REVISED NOTE #2				248208	MAC	MAC
12JA04	R	10	-	-		15479300 - 15358785 TPA WAS 15458785; ALL PARTS - ADDED 15317832 CPA				250447	TLD	TLD
10AU04	R	11	-	-		15465947, 15465945 - OBSOLETE				257407	ADK	ADK
07SE04	R	12	-	-		15465945 - REINSTATED				258738	EES	EES



NOTES:

- UNLESS OTHERWISE SPECIFIED AND/OR INDICATED: DIMENSIONS ARE TO FACE OF VIEW SHOWN AND AUTOMATICALLY ROUNDED BY COMPUTER FOR INSPECTION. (SEE MATH MODEL FOR PRECISE DIMENSION) FOR ALL OTHER DIMENSIONS NOT SHOWN BUT REQUIRED FOR TOOL BUILD, SEE MATH MODEL FOR PRECISE TOOL PATH DATA.
- THIS PART ACCEPTS THE FOLLOWING COMPONENTS OR EQUIVALENT: TERMINAL 12191818 CPA 15317832 OR EQUIVALENT CABLE SEAL 15366021 THIS CONNECTION MEETS OR EXCEEDS SAE/USCAR-2 AUGUST 1997, SECTION 5.3.1.2, TERMINAL DISENGAGE CRITERIA WITHOUT THE APPLICATION OF A TERMINAL POSITION ASSURANCE (TPA) SECONDARY LOCK. THIS CONNECTION MEETS OR EXCEEDS SAE/USCAR-2 AUGUST 1997, SECTION 5.3.1.2, TERMINAL DISENGAGE CRITERIA WITH THE APPLICATION OF A TERMINAL POSITION ASSURANCE (TPA) SECONDARY LOCK. (SEE CHART BELOW FOR APPROPRIATE TPA).
- PLASTIC MATING ASSEMBLIES: SEE CHART

PART NO	STG	REV	N/P	STATUS	TYPE	CONNECTOR	CONN SEAL	TPA	PLR	MATING CONN ASM'S	CONFIG REQ INFORMATION
15479300	R	01	AB	OBSOLETE	118	15479299	15326866 / ID406241	15358785	15326865 / ID406242	15326868 / ID406247	15446049
15465947	R	02	AC		117	15465025	15326852 / ID406228	15430903	15326851 / ID406229	15326854 / ID406233	15336047
15465946	R	02	AB		115	15465024	15326852 / ID406228	15430903	15326851 / ID406229	15326854 / ID406233	15336047
15465945	R	02	AD		111	15465021	15326838 / ID406216	15418415	15326837 / ID406217	15326840 / ID406221	15336044
15465944	R	02	AB		109	15465020	15326838 / ID406216	15418415	15326837 / ID406217	15326840 / ID406221	15336044
15326863 / ID406245	R	03	AB		116	15326862 / ID406244	15326866 / ID406241	15358785	15326865 / ID406242	15326868 / ID406247	15336049
15326856 / ID406238	R	03	AB		114	15326855 / ID406237	15326859 / ID406234	15430904	15326858 / ID406235	15326861 / ID406240	15336048
15326849 / ID406231	R	02	AB		112	15326848 / ID406230	15326852 / ID406228	15430903	15326851 / ID406229	15326854 / ID406233	15336047
15326842 / ID406225	R	02	AB		110	15326841 / ID406224	15326845 / ID406222	15418288	15326844 / ID406223	15326847 / ID406227	15336045
15326835 / ID406219	R	02	AB		108	15326834 / ID406218	15326838 / ID406216	15418415	15326837 / ID406217	15326840 / ID406221	15336044

DIMENSIONAL RANGE (MM)		TOLERANCE	
FROM	TO	±	ANGULAR TOLERANCE
> 0	> 30	> 0.15	12°
> 30	> 70	> 0.20	12°
> 70	> 100	> 0.25	12°
> 100	> 150	> 0.30	12°
> 150	> 200	> 0.35	12°
> 200	> 250	> 0.40	12°
> 250	> 300	> 0.45	12°
> 300	> 400	> 0.50	12°

DELPHI
DELPHI PACKARD ELECTRIC SYSTEMS
WARREN, OH

DR	DATE
DR B. NAGY	23 JUN 97
APVD1 M. MCCALL	17 JUL 97
APVD2 M. MCCALL	17 JUL 97
APVD3 M. CHUPAK	25 JUL 97
APVD4	
APVD5	

THIS DOCUMENT IS IN ACCORDANCE WITH ASME Y14.5M-1994 AS INDICATED BY THE DIMENSIONING AND TOLERANCING ADDENDUM - 1997. ALL GEOMETRIC TOLERANCES AND RELATED DATUM APPLICABLE TO THIS DRAWING ARE ESTABLISHED BY ORIENTATION OR LOCATION TOLERANCES, REGARDLESS OF DATUM REFERENCE. ALL DIMENSIONS ARE IN MILLIMETERS.

DRAWING NAME: TAXI ASM CONN F GT 150
DRAWING NUMBER: 15326973

SIZE: A0
SCALE: 5:1
FRAME NO: 1 OF 1
SHEET NO: 1 OF 1
DATE: 12-1