

1718762-3 ✓ ACTIVE

AMP | MCON Interconnection System

TE Internal #: 1718762-3

Automotive Terminals, Tab, Mating Tab Width 1.2 mm [.047 in], Tab

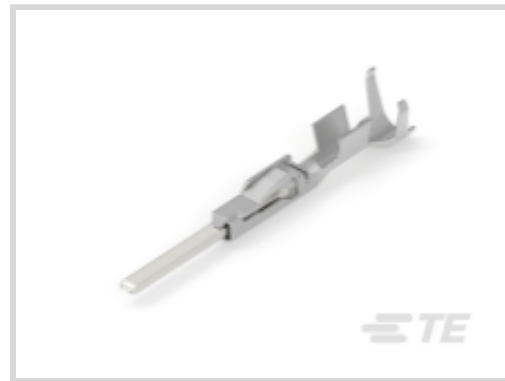
Thickness .024 in [.6 mm], 17 – 15 AWG Wire Size, MCON

Interconnection System

[View on TE.com >](#)



Terminals & Splices > Automotive Terminals > MCON, RECEPTACLE AND TAB



Terminal Type: **Tab**

Mating Tab Width: **1.2 mm [.047 in]**

Mating Tab Thickness: **.6 mm [.024 in]**

Terminal Transmits: **0 – 24 A (Low Power)**

Wire Size: **17 – 15 AWG**

[All MCON, RECEPTACLE AND TAB \(103\)](#)

## Features

### Product Type Features

Receptacle Style	180°
Sealable	Yes
Primary Locking Feature	Locking Lance

### Body Features

Terminal Seal Type	Single Wire Seal (SWS)
--------------------	------------------------

### Contact Features

Typical Current Rating	10 A
Crimp Type	F-Crimp
Terminal Type	Tab
Mating Tab Width	1.2 mm [.047 in]
Mating Tab Thickness	.6 mm [.024 in]
Interface Plating	Silver (Ag)
Contact Termination Area Plating Material	Tin (Sn)

### Termination Features

Termination Method to Wire & Cable	Crimp
Product Terminates To	Wire



### Dimensions

Wire Size	1 – 1.5 mm <sup>2</sup>
Wire Size Search	15 AWG, 16 AWG, 17 AWG
Wire Insulation Diameter	1.9 – 2.4 mm [.075 – .094 in]

### Usage Conditions

Insulation Option	Uninsulated
Operating Temperature (Max)	80 °C, 85 °C, 90 °C, 100 °C, 105 °C, 110 °C, 120 °C, 125 °C, 130 °C, 140 °C, 145 °C, 150 °C [176 °F][185 °F][194 °F][212 °F][221 °F][230 °F][248 °F][257 °F][266 °F][284 °F][293 °F][302 °F]
Operating Temperature Range	-40 – 150 °C [-40 – 302 °F]

### Operation/Application

Compatible With Wire Base Material	Copper
------------------------------------	--------

### Industry Standards

Agency/Standard	LV214
-----------------	-------

### Packaging Features

Packaging Method	Reel
Packaging Quantity	6000

### Other

Terminal Transmits	0 – 24 A (Low Power)
--------------------	----------------------

### Product Compliance

[For compliance documentation, visit the product page on TE.com>](#)

EU RoHS Directive 2011/65/EU	Compliant
EU ELV Directive 2000/53/EC	Compliant
China RoHS 2 Directive MIIT Order No 32, 2016	No Restricted Materials Above Threshold
EU REACH Regulation (EC) No. 1907/2006	Current ECHA Candidate List: JAN 2022 (223) Candidate List Declared Against: JAN 2022 (223) Does not contain REACH SVHC
Halogen Content	Low Halogen - Br, Cl, F, I < 900 ppm per homogenous material. Also BFR/CFR/PVC Free
Solder Process Capability	Not applicable for solder process capability

Product Compliance Disclaimer

This information is provided based on reasonable inquiry of our suppliers and represents our current actual knowledge based on the information they provided. This information is subject to change. The part numbers that TE has identified as EU RoHS compliant have a maximum concentration of 0.1% by weight in homogenous materials for lead, hexavalent chromium, mercury, PBB, PBDE, DBP, BBP, DEHP, DIBP, and 0.01% for cadmium, or qualify for an exemption to these limits as defined in the Annexes of Directive 2011/65/EU (RoHS2). Finished electrical and electronic equipment products will be CE marked as required by Directive 2011/65/EU. Components may not be CE marked. Additionally, the part numbers that TE has identified as EU ELV compliant have a maximum concentration of 0.1% by weight in homogenous materials for lead, hexavalent chromium, and mercury, and 0.01% for cadmium, or qualify for an exemption to these limits as defined in the Annexes of Directive 2000/53/EC (ELV). Regarding the REACH Regulation, the information TE provides on SVHC in articles for this part number is based on the latest European Chemicals Agency (ECHA) 'Guidance on requirements for substances in articles' posted at this URL: <https://echa.europa.eu/guidance-documents/guidance-on-reach>

## Compatible Parts



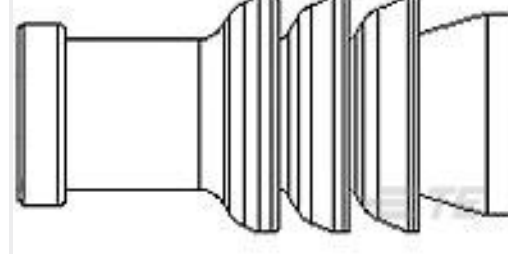
TE Part # CAT-M4595-CH8172  
MCON, CONNECTOR HOUSING



TE Part # 5-1579007-3  
EXTRACTION TOOL



TE Part # 964972-1  
EINZELLEITERDICHTNG



TE Part # 967067-2  
MQS EINZELLEITDICHT



TE Part # 2305570-1  
TERMINAL CUTTER, SIDE FEED



TE Part # 7-1452671-3  
MCON 1.2 LL REC SWS AG



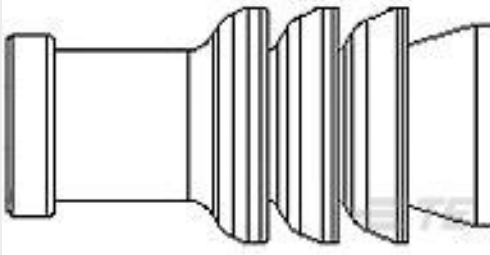
TE Part # 2151480-1  
OCEAN\_2.0\_APPLICATOR-S-070F130SP



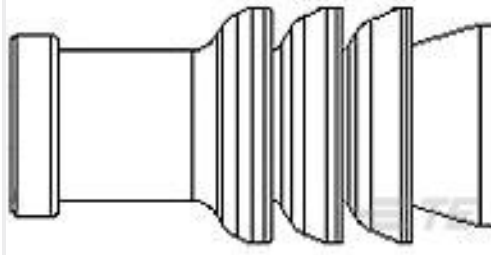
TE Part # 3-1579028-8  
EXTRACTION TOOL



TE Part # 5-1579018-6  
INSERTION TOOL



TE Part # 963142-2  
SWS, MQS, CVTY DIA, 4.0, GRY



TE Part # 967067-1  
MQS SGL WIRE SEAL



TE Part # 2-2151480-1  
OCEAN\_2.0\_APPLICATOR-S-070F130SP




TE Part # 2-2151480-2  
OCEAN\_2.0\_APPLICATOR-S-070F130SP



TE Part # 2151480-2  
OCEAN\_2.0\_APPLICATOR-S-070F130SP



TE Part # 2372541-1  
SDE F 1.2 MM SWS 15--18 ASSY



TE Part # 2372541-2  
SDE F 1.2 MM SWS 15--18 DIE SET



TE Part # 5-2151480-1  
OCEAN\_2.0\_APPLICATOR-S-070F130SP



TE Part # 5-2151480-2  
OCEAN\_2.0\_APPLICATOR-S-070F130SP




TE Part # 7-2151480-1  
OCEAN\_2.0\_APPLICATOR-S-070F130SP



TE Part # 7-2151480-2  
OCEAN\_2.0\_APPLICATOR-S-070F130SP


## Also in the Series | MCON Interconnection System




Automotive Connector Caps & Covers (24)




Automotive Connector Locks & Position Assurance(11)




Automotive Housings(288)




Automotive Seals & Cavity Plugs(4)



Automotive Terminals(113)



Insertion & Extraction Tools(31)



Other Automotive Connector Accessories(6)



PCB Headers & Receptacles(1)

## Customers Also Bought



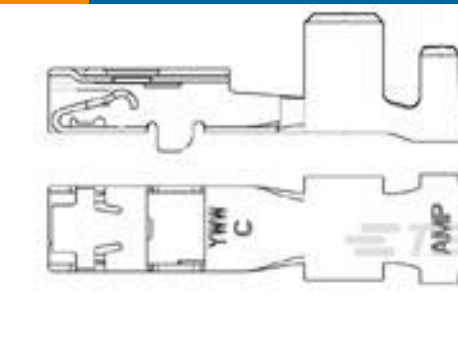
TE Part #1-1564526-1  
18POS,TAB 1.6X0.6,TAB HSG,ASSY



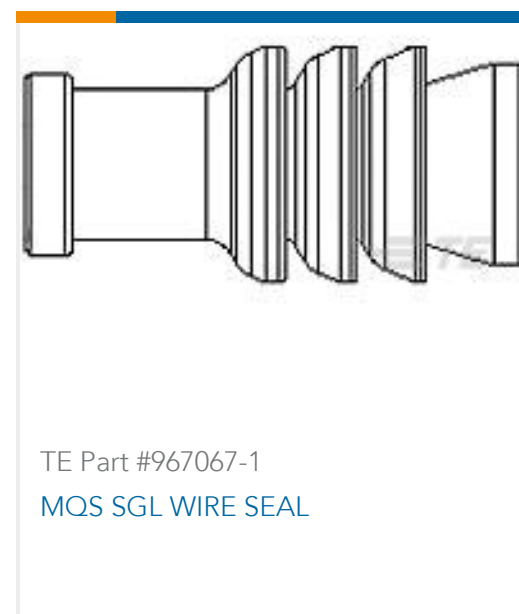
TE Part #343445-2  
AMP-IN MINI (SPECIAL) 18.5-14 AWG



TE Part #2-1703498-1  
2POS, MCON 1.2 LL TAB SEALED COD B



TE Part #1326030-7  
2.8MM RECP,UNSEAL,14-16AWG,REV COD B



## Documents

### Product Drawings

#### MCON 1.2 LL TAB SWS AG

English

### CAD Files

#### Customer View Model

[ENG\\_CVM\\_CVM\\_1718762-3\\_B.2d\\_dxf.zip](#)

English

#### 3D PDF

3D

#### Customer View Model

[ENG\\_CVM\\_CVM\\_1718762-3\\_B.3d\\_igs.zip](#)

English

#### Customer View Model

[ENG\\_CVM\\_CVM\\_1718762-3\\_B.3d\\_stp.zip](#)

English

By downloading the CAD file I accept and agree to the [Terms and Conditions](#) of use.

### Datasheets & Catalog Pages

#### MCON Interconnection System

English

### Product Specifications

#### Product Specification

English