



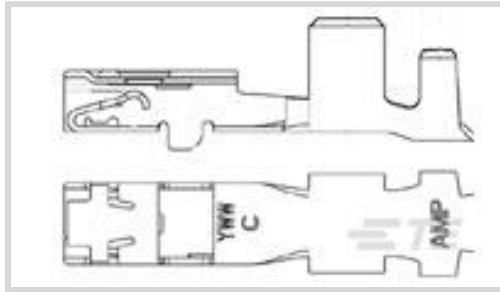
1.5/2.8 Connector System

TE Internal #: 1326030-3

Automotive Terminals, Receptacle, Mating Tab Width 2.8 mm [.11 in], Tab Thickness .031 in [.8 mm], 16 – 14 AWG Wire Size, 1.5/2.8 Connector System

[View on TE.com >](#)

Terminals & Splices > Automotive Terminals > 1.5/2.8 CONNECTOR SYSTEM, RECPT AND TAB



Terminal Type: **Receptacle**

Mating Tab Width: **2.8 mm [.11 in]**

Mating Tab Thickness: **.8 mm [.031 in]**

Terminal Transmits: **0 – 24 A (Low Power)**

Wire Size: **16 – 14 AWG**

[All 1.5/2.8 CONNECTOR SYSTEM, RECPT AND TAB \(40\)](#)

Features

Product Type Features

Receptacle Style	180°
Sealable	No

Contact Features

Typical Current Rating	17 A
Crimp Type	F-Crimp
Terminal Type	Receptacle
Mating Tab Width	2.8 mm[.11 in]
Mating Tab Thickness	.8 mm[.031 in]
Interface Plating	Tin (Sn)
Contact Termination Area Plating Material	Tin (Sn)

Termination Features

Termination Method to Wire & Cable	Crimp
Product Terminates To	Wire

Dimensions

Wire Size	1.25 – 2 mm ²
Wire Size Search	14 AWG, 15 AWG, 16 AWG
Wire Insulation Diameter	1.2 – 4.04 mm[.047 – .161 in]



Usage Conditions

Insulation Option	Uninsulated
Operating Temperature (Max)	80 °C, 85 °C, 90 °C, 100 °C, 105 °C, 110 °C, 120 °C, 125 °C [176 °F][185 °F][194 °F][212 °F][221 °F][230 °F][248 °F][257 °F]
Operating Temperature Range	-40 – 125 °C [-40 – 257 °F]

Packaging Features

Packaging Method	Reel
Packaging Quantity	3000

Other

Terminal Transmits	0 – 24 A (Low Power)
--------------------	----------------------

Product Compliance

[For compliance documentation, visit the product page on TE.com>](#)

EU RoHS Directive 2011/65/EU	Compliant
EU ELV Directive 2000/53/EC	Compliant
China RoHS 2 Directive MIIT Order No 32, 2016	No Restricted Materials Above Threshold
EU REACH Regulation (EC) No. 1907/2006	Current ECHA Candidate List: JAN 2022 (223) Candidate List Declared Against: JAN 2022 (223) Does not contain REACH SVHC
Halogen Content	Low Halogen - Br, Cl, F, I < 900 ppm per homogenous material. Also BFR/CFR/PVC Free
Solder Process Capability	Not applicable for solder process capability

Product Compliance Disclaimer

This information is provided based on reasonable inquiry of our suppliers and represents our current actual knowledge based on the information they provided. This information is subject to change. The part numbers that TE has identified as EU RoHS compliant have a maximum concentration of 0.1% by weight in homogenous materials for lead, hexavalent chromium, mercury, PBB, PBDE, DBP, BBP, DEHP, DIBP, and 0.01% for cadmium, or qualify for an exemption to these limits as defined in the Annexes of Directive 2011/65/EU (RoHS2). Finished electrical and electronic equipment products will be CE marked as required by Directive 2011/65/EU. Components may not be CE marked. Additionally, the part numbers that TE has identified as EU ELV compliant have a maximum concentration of 0.1% by weight in homogenous materials for lead, hexavalent chromium, and mercury, and 0.01% for cadmium, or qualify for an exemption to these limits as defined in the Annexes of Directive 2000/53/EC (ELV). Regarding the REACH Regulation, the information TE provides on SVHC in articles for this part number is based on the latest European Chemicals Agency (ECHA) 'Guidance on requirements for substances in articles' posted at this URL: <https://echa.europa.eu/guidance-documents/guidance-on-reach>

Compatible Parts



TE Part # CAT-G3353-CH8172
GET .64 CONNECTOR SYSTEM,
CONNECTOR HSG



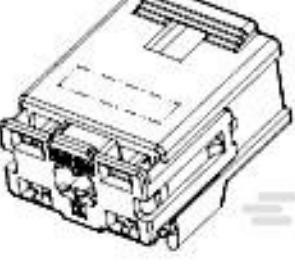
TE Part # CAT-T319-CH8172
TH/.025 CONNECTOR SYSTEM,
HOUSING



TE Part # 1438759-1
22WAY HYBRID .040/2.8 PLUG ASSY
KEY 'B'



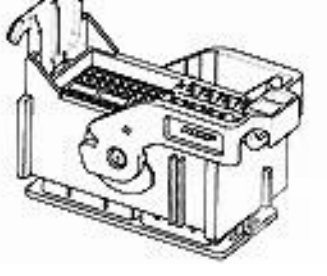
TE Part # 1326359-1
11P 2.8MM LVG-HNG PLUG - KEY A



TE Part # 1456471-1
8p Hybrid 0.64/2.8 Unsealed Pl



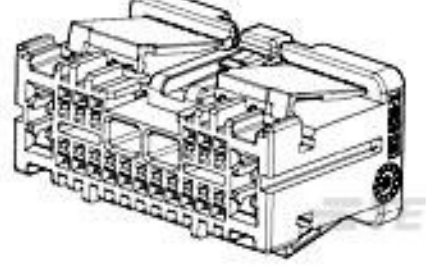
TE Part # 1452842-3
22 POS FEMALE HSG ASSY



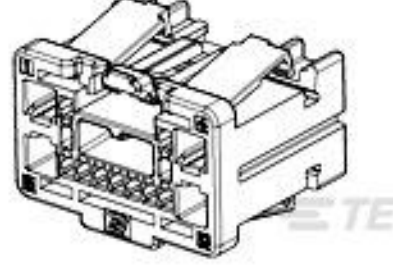
TE Part # 776932-3
52 pos plug, 0.64 and 2.80mm



TE Part # 1438759-2
22Way Hybrid 040/2.8 Plug Assy Key
"C"



TE Part # 1924126-1
21p Hybrid - 1pc Unsealed Plug, Key A



TE Part # 1924667-1
13p Hybrid - 1pc Unsealed Plug, Key A



TE Part # 2203937-1
52 pos plug assy, 0.64 and 2.8



TE Part # 2203937-5
52 pos plug assy, 0.64 and 2.8



TE Part # 2295163-1
22POS,MIXED,REC HSG,ASSY



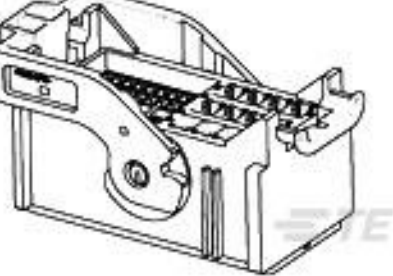
TE Part # 2295163-2
22POS,MIXED,REC HSG,ASSY



TE Part # 2295163-3
22POS,MIXED,REC HSG,ASSY



TE Part # 2295163-4
22POS,MIXED,REC HSG,ASSY

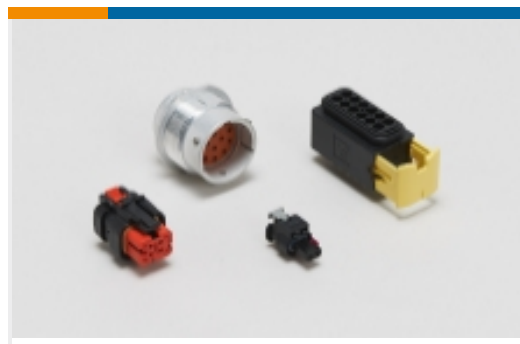


TE Part # 776932-1
52 pos plug assy, 0.64 and 2.8

Also in the Series | [1.5/2.8 Connector System](#)



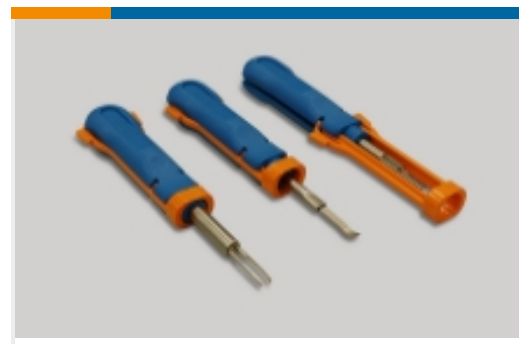
Automotive Connector Caps & Covers (6)



Automotive Housings(30)



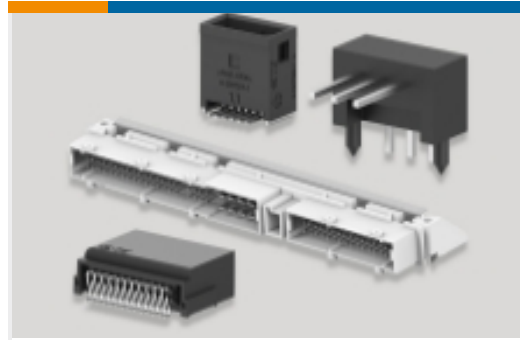
Automotive Terminals(52)



Insertion & Extraction Tools(1)



Other Automotive Connector Accessories(1)



PCB Headers & Receptacles(1)

Customers Also Bought



TE Part #5-968221-6
MQS0,63 Ag rec CB unseal. 0,5-0,75



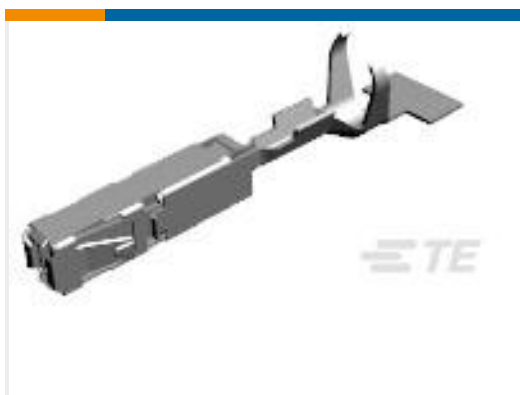
TE Part #638187-3
RE-REELED RECPT CONT. 18-20AWG



TE Part #2050049-2
3POS 2.8MM SENSOR PLUG ASSY



TE Part #3-2322122-2
HVP800 2P HEADER ASSY



TE Part #1534160-1
AMP MCP 1.5K, CONTACT, SWS



TE Part #1-1703963-1
16POS,AMP MCP1.5K,REC HSG,ASSY, SEALED



TE Part #1823735-1
COVER,90DEG



TE Part #4190163001
55E0119-0.75-9(B01)



TE Part #1786053001
55E0119-1.50-8(B01)



TE Part #638082-1
20P HYB PLUG ASSY, A-KEY

Documents



Product Drawings

2.8MM RECP,UNSEAL,14-16AWG

English

CAD Files

3D PDF

3D

Customer View Model

[ENG_CVM_CVM_1326030-3_L.2d_dxf.zip](#)

English

Customer View Model

[ENG_CVM_CVM_1326030-3_L.3d_igs.zip](#)

English

Customer View Model

[ENG_CVM_CVM_1326030-3_L.3d_stp.zip](#)

English

Customer View Model

[ENG_CVM_1326030-3_H1.3d_igs.zip](#)

English

Customer View Model

[ENG_CVM_1326030-3_H1.3d_stp.zip](#)

English

Customer View Model

[ENG_CVM_1326030-3_H1.2d_dxf.zip](#)

English

3D PDF

English

By downloading the CAD file I accept and agree to the [Terms and Conditions](#) of use.

Product Specifications

Application Specification

English

Product Environmental Compliance

Product Compliance

English

Product Compliance

English