



MQS

TE Internal #: 144969-4

Automotive Terminals, Receptacle, Mating Tab Width .63 mm [.025 in], Tab Thickness .025 in [.63 mm], 24 – 19 AWG Wire Size, .2 – .6 mm² Wire Size, MQS

[View on TE.com >](#)

Terminals & Splices > Automotive Terminals > MQS, RECEPTACLE AND TAB



Terminal Type: **Receptacle**

Mating Tab Width: **.63 mm [.025 in]**

Mating Tab Thickness: **.63 mm [.025 in]**

Terminal Transmits: **0 – 24 A (Low Power)**

Wire Size: **24 – 19 AWG**

[All MQS, RECEPTACLE AND TAB \(125\)](#)

Features

Product Type Features

Receptacle Style	180°
Sealable	No
Primary Locking Feature	Locking Lance

Contact Features

Typical Current Rating	7.5 A
Crimp Type	F-Crimp
Terminal Type	Receptacle
Mating Tab Width	.63 mm [.025 in]
Mating Tab Thickness	.63 mm [.025 in]
Interface Plating	Tin (Sn)
Contact Termination Area Plating Material	Tin (Sn)

Termination Features

--	--



Termination Method to Wire & Cable	Crimp
------------------------------------	-------

Product Terminates To	Wire
-----------------------	------

Dimensions

Wire Size	.2 – .6 mm ²
-----------	-------------------------

Wire Size Search	19 AWG, 20 AWG, 21 AWG, 22 AWG, 23 AWG, 24 AWG
------------------	--

Wire Insulation Diameter	1.9 mm[.075 in]
--------------------------	-----------------

Usage Conditions

Insulation Option	Uninsulated
-------------------	-------------

Operating Temperature (Max)	80 °C, 85 °C[176 °F][185 °F]
-----------------------------	------------------------------

Operating Temperature Range	-40 – 85 °C[-40 – 185 °F]
-----------------------------	---------------------------

Operation/Application

Compatible With Wire Base Material	Copper
------------------------------------	--------

Packaging Features

Packaging Method	Reel
------------------	------

Packaging Quantity	11000
--------------------	-------

Other

Terminal Transmits	0 – 24 A (Low Power)
--------------------	----------------------

Product Compliance

[For compliance documentation, visit the product page on TE.com>](#)

EU RoHS Directive 2011/65/EU	Compliant
------------------------------	-----------

EU ELV Directive 2000/53/EC	Compliant
-----------------------------	-----------

China RoHS 2 Directive MIIT Order No 32, 2016	No Restricted Materials Above Threshold
---	---

EU REACH Regulation (EC) No. 1907/2006	Current ECHA Candidate List: JAN 2022 (223) Candidate List Declared Against: JUL 2019 (201) SVHC > Threshold: Not Yet Reviewed
--	---

Halogen Content	Low Halogen - Br, Cl, F, I < 900 ppm per homogenous material. Also BFR/CFR/PVC Free
-----------------	---

Solder Process Capability	Not applicable for solder process capability
---------------------------	--

This information is provided based on reasonable inquiry of our suppliers and represents our current actual knowledge based on the information they provided. This information is subject to change. The part numbers that TE has identified as EU RoHS compliant have a maximum concentration of 0.1% by weight in homogenous materials for lead, hexavalent chromium, mercury, PBB, PBDE, DBP, BBP, DEHP, DIBP, and 0.01% for cadmium, or qualify for an exemption to these limits as defined in the Annexes of Directive 2011/65/EU (RoHS2). Finished electrical and electronic equipment products will be CE marked as required by Directive 2011/65/EU. Components may not be CE marked. Additionally, the part numbers that TE has identified as EU ELV compliant have a maximum concentration of 0.1% by weight in homogenous materials for lead, hexavalent chromium, and mercury, and 0.01% for cadmium, or qualify for an exemption to these limits as defined in the Annexes of Directive 2000/53/EC (ELV). Regarding the REACH Regulation, the information TE provides on SVHC in articles for this part number is based on the latest European Chemicals Agency (ECHA) 'Guidance on requirements for substances in articles' posted at this URL: <https://echa.europa.eu/guidance-documents/guidance-on-reach>

Compatible Parts



TE Part # CAT-M8793-CH8172
MQS, CONNECTOR HOUSING



TE Part # 6-1579007-1
EXTRACTION TOOL



TE Part # 2305570-1
TERMINAL CUTTER, SIDE FEED



TE Part # 1308374-1
EXTRACTION TOOL



TE Part # 2-2151163-1
OCEAN_2.0_Applicator-S-055F080F



TE Part # 2-2151163-2
OCEAN_2.0_Applicator-S-055F080F



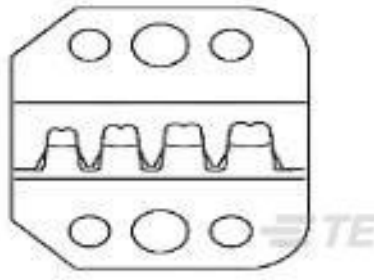
TE Part # 2151163-1
OCEAN_2.0_Applicator-S-055F080F



TE Part # 2151163-2
OCEAN_2.0_Applicator-S-055F080F



TE Part # 58611-1
PRO-CRIMP TOOL MQS REC



TE Part # 58611-2
PRO-CRIMP DIE MQS REC



TE Part # 7-2151163-1
OCEAN_2.0_Applicator-S-055F080F



TE Part # 7-2151163-2
OCEAN_2.0_Applicator-S-055F080F



KIT
REPRESENTATION ONLY

TE Part # 7-2151163-7
OCEAN_2.0_SPARE_PART_KIT-055F080F



TE Part # 2209954-1
AIRBAG 24P COVER ASSY



TE Part # 2209954-2
AIRBAG 24P COVER ASSY

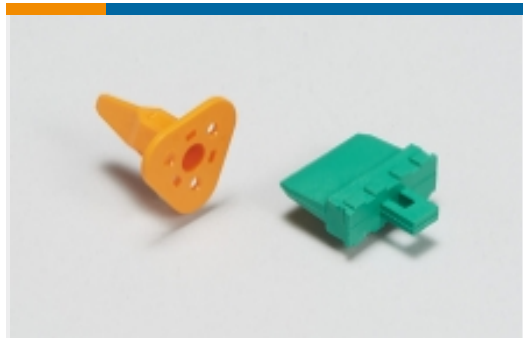
Also in the Series | MQS



Automotive Connector Caps & Covers (131)



Automotive Connector EMC Shielding (2)



Automotive Connector Locks & Position Assurance (29)



Automotive Housings (489)



Automotive Seals & Cavity Plugs (26)



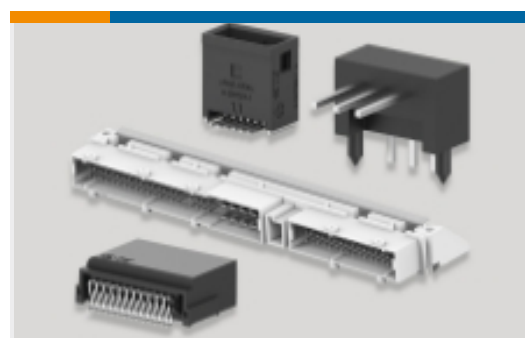
Automotive Terminals (96)



Insertion & Extraction Tools (42)



Other Automotive Connector Accessories (13)

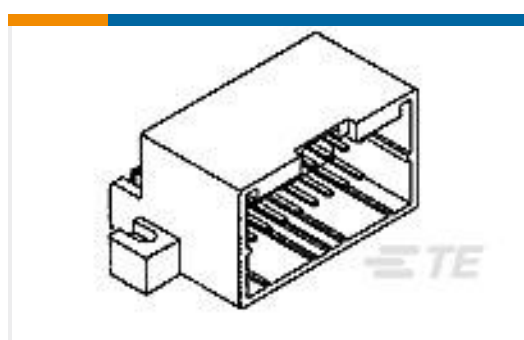


PCB Headers & Receptacles (206)

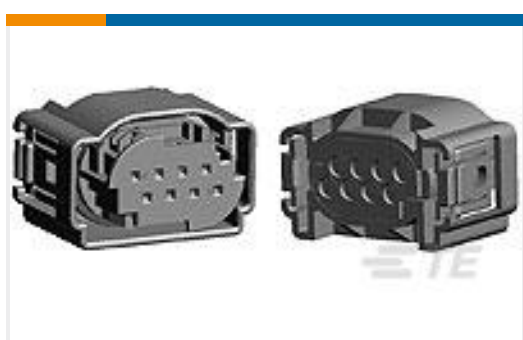
Customers Also Bought



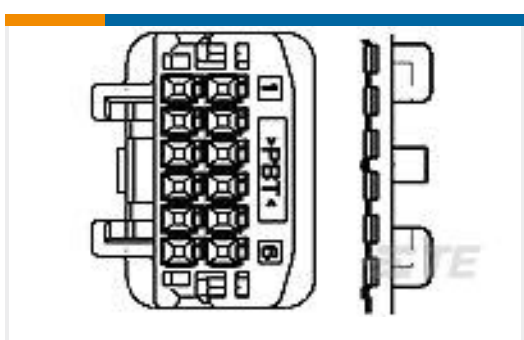
TE Part #953381-1
LOCKING DEVICE FOR 6W MQS



TE Part #174055-2
040 MULTILOCK I/O CONN 20PASSY



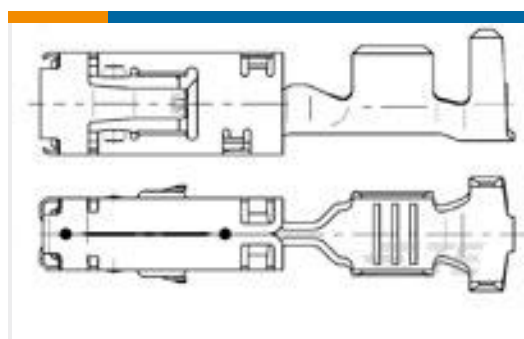
TE Part #1-1534229-1
8POS MQS REC COD A



TE Part #1473413-1
025 G 24POS CAP ASSY W TO W



TE Part #1456987-3
2x4 Fem unsealed LP assy Key C



TE Part #967543-2
SENS FLA-KONT 2,8



TE Part #2299450-1
14P TAB HOUSING ASSY



TE Part #174656-7
10 POS DL PLATE FOR PLUG MKII+



Documents

CAD Files

3D PDF

3D

Customer View Model

[ENG_CVM_CVM_144969-4_J.2d_dxf.zip](#)

English

Customer View Model

[ENG_CVM_CVM_144969-4_J.3d_igs.zip](#)

English

Customer View Model

[ENG_CVM_CVM_144969-4_J.3d_stp.zip](#)

English

By downloading the CAD file I accept and agree to the [Terms and Conditions](#) of use.

Datasheets & Catalog Pages

Micro Quadlok Interconnection System (MQS)

English

Product Specifications

Product Specification

English

Product Environmental Compliance

Product Compliance

English

Product Compliance

English