

626035-2 ✓ ACTIVE

TE Internal #: 626035-2

Ring Terminals & Spade Terminals, Ring Tongue, 11 – 10 AWG

Wire Size, 4 – 6 mm² Wire Size, 8233 – 10382 CMA Wire Size, Stud Size #8 / M4

[View on TE.com >](#)



Terminals & Splices > Ring Terminals & Spade Terminals



Ring & Spade Terminal Type: **Ring Tongue**

Wire Size: **8233 – 10382 CMA**

Stud Size: **#8, M4**

Features

Product Type Features

Terminal Features	Sheared
Shape Description	RING-001
Stud Size	#8, M4
Sealable	No
Compatible With Discrete Wire Type	Stranded
Wire Insulation Support Retention Type	Insulation Support

Configuration Features

Number of Holes	1
Terminal Angle	180 °

Body Features

Inspection Slot	No
Weight per Piece	1.205 g

Contact Features

Ring & Spade Terminal Type	Ring Tongue
Barrel Type	Open
Terminal Orientation	Straight

Terminal Plating Material	Tin
---------------------------	-----

Mechanical Attachment

Wire Insulation Support	With
-------------------------	------

Dimensions

Wire Size	8233 – 10382 CMA
-----------	------------------

Stud Diameter	4.3 mm[.169 in]
---------------	-----------------

Tongue Thickness	.8 mm[.031 in]
------------------	----------------

Overall Product Length	19.8 mm[.779 in]
------------------------	------------------

Barrel Inside Diameter	2.67 mm, 4.7 mm[.105 in][.185 in]
------------------------	-----------------------------------

Accepts Wire Insulation Diameter (Max)	5.31 mm[.209 in]
--	------------------

Accepts Wire Insulation Diameter Range	3.2 – 5.3 mm[.15 – .209 in]
--	-----------------------------

Usage Conditions

Insulation Option	Uninsulated
-------------------	-------------

Operating Temperature Range	-40 – 105 °C[-40 – 221 °F]
-----------------------------	----------------------------

Operation/Application

Compatible With Wire Base Material	Copper
------------------------------------	--------

Heavy Duty	No
------------	----

Industry Standards

Government Qualified	No
----------------------	----

Packaging Features

Packaging Quantity	5000
--------------------	------

Packaging Method	Strip/Reel
------------------	------------

Other

Comment	Similar to DIN 46225.
---------	-----------------------

Product Compliance

[For compliance documentation, visit the product page on TE.com>](#)

EU RoHS Directive 2011/65/EU	Compliant
------------------------------	-----------

EU ELV Directive 2000/53/EC	Compliant
-----------------------------	-----------

China RoHS 2 Directive MIIT Order No 32, 2016	No Restricted Materials Above Threshold
---	---

EU REACH Regulation (EC) No. 1907/2006	Current ECHA Candidate List: JAN 2022 (223)
--	--

Candidate List Declared Against: JAN 2022
(223)

Does not contain REACH SVHC

Halogen Content

Low Halogen - Br, Cl, F, I < 900 ppm per
homogenous material. Also BFR/CFR/PVC
Free

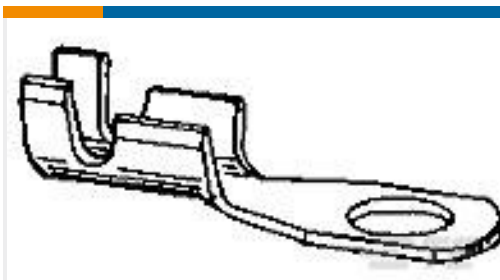
Solder Process Capability

Not applicable for solder process capability

Product Compliance Disclaimer

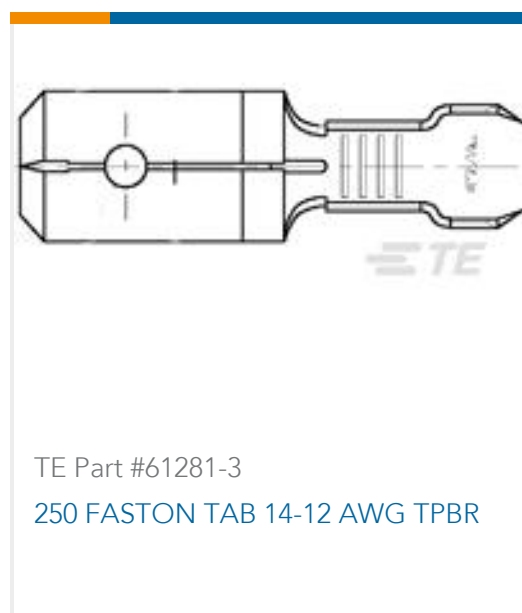
This information is provided based on reasonable inquiry of our suppliers and represents our current actual knowledge based on the information they provided. This information is subject to change. The part numbers that TE has identified as EU RoHS compliant have a maximum concentration of 0.1% by weight in homogenous materials for lead, hexavalent chromium, mercury, PBB, PBDE, DBP, BBP, DEHP, DIBP, and 0.01% for cadmium, or qualify for an exemption to these limits as defined in the Annexes of Directive 2011/65/EU (RoHS2). Finished electrical and electronic equipment products will be CE marked as required by Directive 2011/65/EU. Components may not be CE marked. Additionally, the part numbers that TE has identified as EU ELV compliant have a maximum concentration of 0.1% by weight in homogenous materials for lead, hexavalent chromium, and mercury, and 0.01% for cadmium, or qualify for an exemption to these limits as defined in the Annexes of Directive 2000/53/EC (ELV). Regarding the REACH Regulation, the information TE provides on SVHC in articles for this part number is based on the latest European Chemicals Agency (ECHA) 'Guidance on requirements for substances in articles' posted at this URL: <https://echa.europa.eu/guidance-documents/guidance-on-reach>

Compatible Parts

TE Part # 180389-2
TERM PLACA CUADRADA DIA 4TE Part # 180390-2
SQUARE TONGUETE Part # 180455-1
TERM PLACA REDONDA 6 DIA.TE Part # 2-2150899-1
OCEAN_2.0_Applicator-E-180F250FTE Part # 2-2150899-2
OCEAN_2.0_Applicator-E-180F250FTE Part # 2150899-1
OCEAN_2.0_Applicator-E-180F250FTE Part # 2150899-2
OCEAN_2.0_Applicator-E-180F250FTE Part # 7-2150899-1
OCEAN_2.0_Applicator-E-180F250F



Customers Also Bought



Documents

Product Drawings

[RING TONGUE 4.0-6.0 MM2 0.81 X 16.25 BR](#)

English

CAD Files

[3D PDF](#)

[3D](#)

[Customer View Model](#)

[ENG_CVM_CVM_626035-2_E.2d_dxf.zip](#)



English

Customer View Model

[ENG_CVM_CVM_626035-2_E.3d_igs.zip](#)

English

Customer View Model

[ENG_CVM_CVM_626035-2_E.3d_stp.zip](#)

English

By downloading the CAD file I accept and agree to the [Terms and Conditions](#) of use.

Product Specifications

[EB**General Application Specification for Open Barrel Terminals](#)

English

[Application Specification](#)

English

Product Environmental Compliance

[Product Compliance](#)

English

[Product Compliance](#)

English