

174263-7 ✓ ACTIVE

AMP | Econoseal, Econoseal J - Mark II

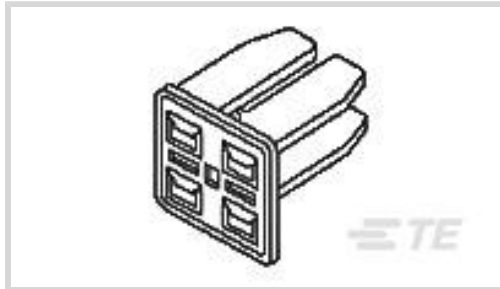
TE Internal #: 174263-7

Automotive Connector Locks & Position Assurance, TPA (Terminal Position Assurance), Yellow, Wire-to-Wire, PBT, Econoseal J - Mark II

[View on TE.com >](#)



Connectors > Automotive Connectors > Connector Accessories > Locks & Position Assurance



Connector & Contact Retention Accessory Type: **TPA (Terminal Position Assurance)**

Primary Product Color: **Yellow**

Connector System: **Wire-to-Wire**

Primary Product Material: **PBT**

Operating Temperature Range: **-30 – 105 °C [-22 – 221 °F]**

Features

Product Type Features

| | |
|--|-----------------------------------|
| Connector & Contact Retention Accessory Type | TPA (Terminal Position Assurance) |
| Connector System | Wire-to-Wire |

Body Features

| | |
|--------------------------|--------|
| Primary Product Color | Yellow |
| Primary Product Material | PBT |

Usage Conditions

| | |
|-----------------------------|----------------------------|
| Operating Temperature Range | -30 – 105 °C[-22 – 221 °F] |
|-----------------------------|----------------------------|

Industry Standards

| | |
|------------------------|----------|
| UL Flammability Rating | UL 94V-2 |
|------------------------|----------|

Packaging Features

| | |
|--------------------|------|
| Packaging Quantity | 1000 |
| Packaging Method | Bag |

Other

| | |
|-------------|-----|
| Serviceable | Yes |
|-------------|-----|

Product Compliance

[For compliance documentation, visit the product page on TE.com>](#)



| | |
|---|---|
| EU RoHS Directive 2011/65/EU | Compliant |
| EU ELV Directive 2000/53/EC | Compliant |
| China RoHS 2 Directive MIIT Order No 32, 2016 | No Restricted Materials Above Threshold |
| EU REACH Regulation (EC) No. 1907/2006 | Current ECHA Candidate List: JAN 2022 (223) Candidate List Declared Against: JAN 2022 (223) Does not contain REACH SVHC |
| Halogen Content | Not Low Halogen - contains Br or Cl > 900 ppm. |
| Solder Process Capability | Not applicable for solder process capability |

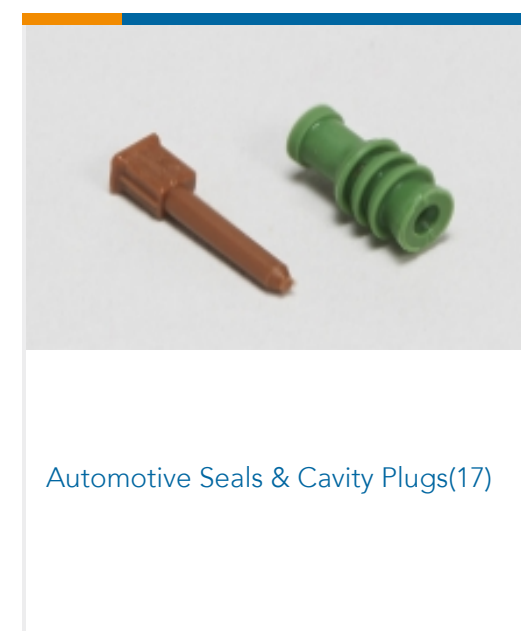
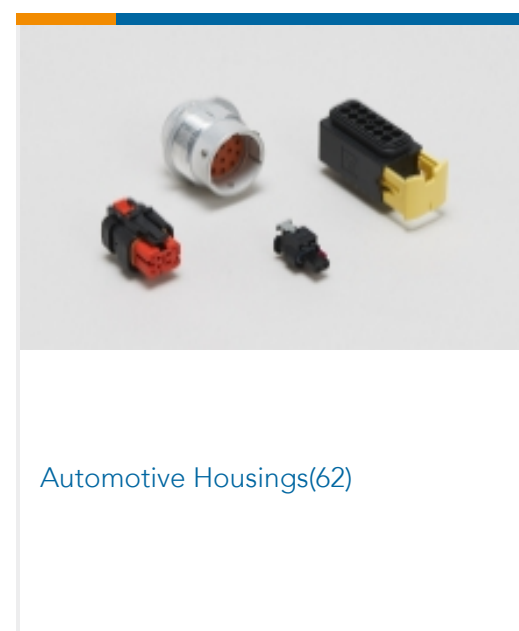
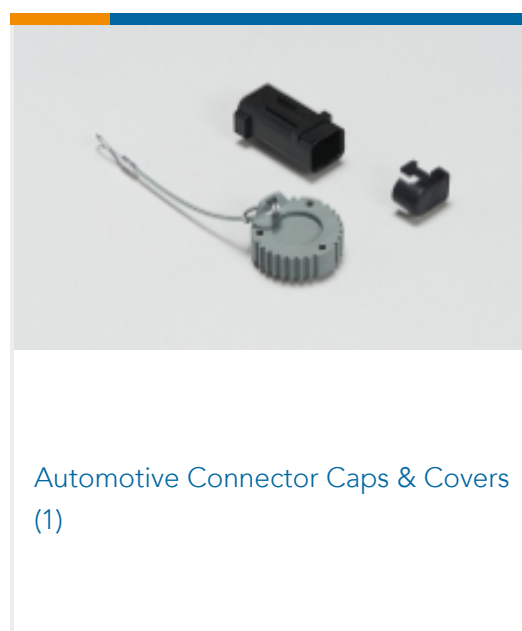
Product Compliance Disclaimer

This information is provided based on reasonable inquiry of our suppliers and represents our current actual knowledge based on the information they provided. This information is subject to change. The part numbers that TE has identified as EU RoHS compliant have a maximum concentration of 0.1% by weight in homogenous materials for lead, hexavalent chromium, mercury, PBB, PBDE, DBP, BBP, DEHP, DIBP, and 0.01% for cadmium, or qualify for an exemption to these limits as defined in the Annexes of Directive 2011/65/EU (RoHS2). Finished electrical and electronic equipment products will be CE marked as required by Directive 2011/65/EU. Components may not be CE marked. Additionally, the part numbers that TE has identified as EU ELV compliant have a maximum concentration of 0.1% by weight in homogenous materials for lead, hexavalent chromium, and mercury, and 0.01% for cadmium, or qualify for an exemption to these limits as defined in the Annexes of Directive 2000/53/EC (ELV). Regarding the REACH Regulation, the information TE provides on SVHC in articles for this part number is based on the latest European Chemicals Agency (ECHA) 'Guidance on requirements for substances in articles' posted at this URL: <https://echa.europa.eu/guidance-documents/guidance-on-reach>

Compatible Parts



Also in the Series | Econoseal

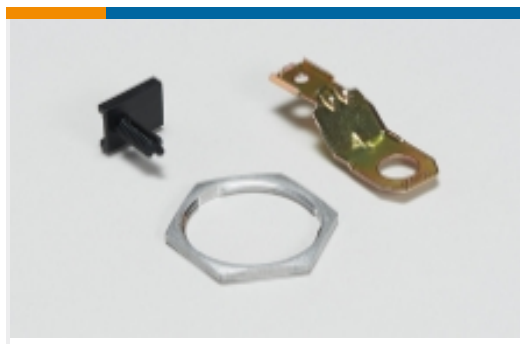




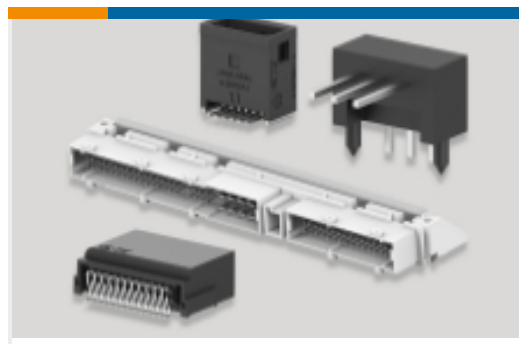
Automotive Terminals(47)



Insertion & Extraction Tools(7)

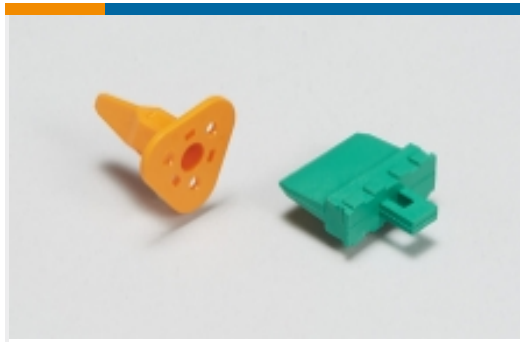


Other Automotive Connector Accessories(5)



PCB Headers & Receptacles(4)

Also in the Series | Econoseal J - Mark II



Automotive Connector Locks & Position Assurance(18)



Automotive Housings(41)



Automotive Seals & Cavity Plugs(8)



Other Automotive Connector Accessories(4)

Customers Also Bought



TE Part #174354-2
ECONOSEAL, CONNECTOR HOUSING



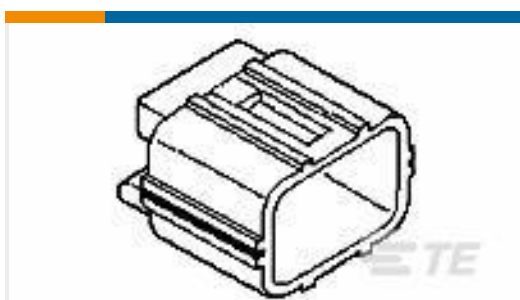
TE Part #173707-1
E-J MK-2 070 REC CONT LP



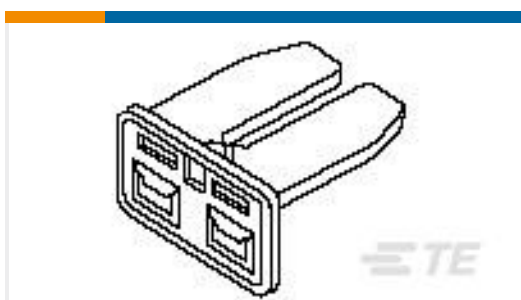
TE Part #174662-7
12 POS PLUG MARK II+



TE Part #174200-1
250 FASTON HSG., REC., 3 POS, NATURAL



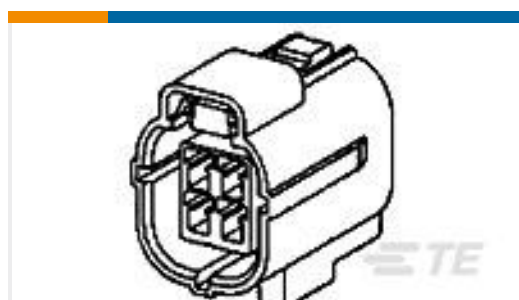
TE Part #174355-7
070 ECONOSEAL MARK-2 P/CAP 2P



TE Part #174353-7
070 ECONOSEAL MARK-2 PLATE 2P



TE Part #174983-7
8 POS DL PLATE FOR PLUG MKII+



TE Part #174262-2
ECONO-J MK-2 PLUG ASSY 6P

Documents

Product Drawings

[ECONOSEAL-J MK-2 LCOK PLATE 6P](#)

English

CAD Files

[3D PDF](#)

English



Customer View Model

[ENG_CVM_174263-7_B.2d_dxf.zip](#)

English

Customer View Model

[ENG_CVM_174263-7_B.3d_igs.zip](#)

English

Customer View Model

[ENG_CVM_174263-7_B.3d_stp.zip](#)

English

By downloading the CAD file I accept and agree to the [Terms and Conditions](#) of use.

Product Specifications

[Product Specification](#)

English

[Product Specification](#)

Japanese

Product Environmental Compliance

[Product Compliance](#)

English

[Product Compliance](#)

English

Instruction Sheets

[ECONOSEAL J MARK II+ CONNECTOR \(EJ-MK II+\)](#)

English

[Customer Manual \(non U.S.\)](#)

English

[ECONOSEAL J MARK II+ CONNECTOR](#)

English

[Customer Manual \(non U.S.\)](#)

English