

1897214-1 ✓ ACTIVE

AMP MCP 6.3/4.8K, AMP MCP Connector System

TE Internal #: 1897214-1

Wire-to-Wire, 2 Position, .177 in [4.5 mm] Centerline, Sealable, Black, Power, Cable Mount (Free-Hanging), -40 – 248 °F [-40 – 120 °C], Hybrid

[View on TE.com >](#)



Connectors > Automotive Connectors > Connector Housings > AMP MCP, UNSEALED CONNECTOR HOUSING



Mating Tab Width: 6.3 mm [.248 in ]

Connector System: Wire-to-Wire

Number of Positions: 2

Centerline (Pitch): 4.5 mm [.177 in ]

Sealable: Yes

[All AMP MCP, UNSEALED CONNECTOR HOUSING \(187\)](#)

## Features

### Product Type Features

|                           |              |
|---------------------------|--------------|
| Connector & Housing Shape | Rectangular  |
| Connector System          | Wire-to-Wire |
| Sealable                  | Yes          |
| Hybrid Connector          | No           |

### Configuration Features

|                     |   |
|---------------------|---|
| Number of Positions | 2 |
| Number of Rows      | 1 |

### Electrical Characteristics

|                              |        |
|------------------------------|--------|
| Operating Voltage            | 12 VDC |
| Nominal Voltage Architecture | 12 V   |

### Body Features

|                       |       |
|-----------------------|-------|
| Cable Exit Angle      | 180°  |
| Body Material         | PA GF |
| Primary Product Color | Black |

### Contact Features

|              |       |
|--------------|-------|
| Contact Size | 6.3mm |
|--------------|-------|



|                  |                 |
|------------------|-----------------|
| Mating Tab Width | 6.3 mm[.248 in] |
|------------------|-----------------|

### Mechanical Attachment

|                             |                            |
|-----------------------------|----------------------------|
| Mounting Feature            | Without                    |
| Terminal Position Assurance | No                         |
| Strain Relief               | Without                    |
| Mating Alignment Type       | Polarized                  |
| Mating Alignment            | With                       |
| Connector Mounting Type     | Cable Mount (Free-Hanging) |

### Housing Features

|                    |                 |
|--------------------|-----------------|
| Centerline (Pitch) | 4.5 mm[.177 in] |
|--------------------|-----------------|

### Dimensions

|                |                   |
|----------------|-------------------|
| Product Width  | 24.8 mm[.976 in]  |
| Product Length | 28.4 mm[1.118 in] |
| Product Height | 33.8 mm[1.331 in] |

### Usage Conditions

|                             |   |
|-----------------------------|---|
| Operating Temperature (Max) | 70 °C, 75 °C, 80 °C, 85 °C, 90 °C, 100 °C, 105 °C, 110 °C, 120 °C[158 °F][167 °F][176 °F][185 °F][194 °F][212 °F][221 °F][230 °F][248 °F] |
| Operating Temperature Range | -40 – 120 °C[-40 – 248 °F]  |

### Operation/Application

|                     |       |
|---------------------|-------|
| Circuit Application | Power |
|---------------------|-------|

### Packaging Features

|                    |     |
|--------------------|-----|
| Packaging Quantity | 180 |
| Packaging Method   | Bag |

### Other

|                                      |    |
|--------------------------------------|----|
| Connector Position Assurance Capable | No |
|--------------------------------------|----|

### Product Compliance

[For compliance documentation, visit the product page on TE.com>](#)

|   |   |
|---|---|
| EU RoHS Directive 2011/65/EU                  | Compliant                               |
| EU ELV Directive 2000/53/EC                   | Compliant                               |
| China RoHS 2 Directive MIIT Order No 32, 2016 | No Restricted Materials Above Threshold |



EU REACH Regulation (EC) No. 1907/2006

Current ECHA Candidate List: JAN 2022 (223)

Candidate List Declared Against: JUL 2021 (219)

SVHC > Threshold:  
Not Yet Reviewed

Halogen Content

BFR/CFR/PVC Free, but Br/Cl >900 ppm in other sources.

Solder Process Capability

Not applicable for solder process capability

Product Compliance Disclaimer

This information is provided based on reasonable inquiry of our suppliers and represents our current actual knowledge based on the information they provided. This information is subject to change. The part numbers that TE has identified as EU RoHS compliant have a maximum concentration of 0.1% by weight in homogenous materials for lead, hexavalent chromium, mercury, PBB, PBDE, DBP, BBP, DEHP, DIBP, and 0.01% for cadmium, or qualify for an exemption to these limits as defined in the Annexes of Directive 2011/65/EU (RoHS2). Finished electrical and electronic equipment products will be CE marked as required by Directive 2011/65/EU. Components may not be CE marked. Additionally, the part numbers that TE has identified as EU ELV compliant have a maximum concentration of 0.1% by weight in homogenous materials for lead, hexavalent chromium, and mercury, and 0.01% for cadmium, or qualify for an exemption to these limits as defined in the Annexes of Directive 2000/53/EC (ELV). Regarding the REACH Regulation, the information TE provides on SVHC in articles for this part number is based on the latest European Chemicals Agency (ECHA) 'Guidance on requirements for substances in articles' posted at this URL: <https://echa.europa.eu/guidance-documents/guidance-on-reach>

### Compatible Parts




TE Part # 1897213-2  
MCP 6.3 2P CAP HSG



TE Part # CAT-AM705-T273  
AMP MCP, RECEPTACLE AND TAB

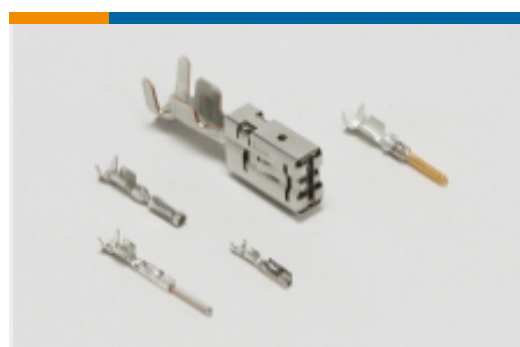
### Also in the Series | AMP MCP 6.3/4.8K



Automotive Housings(12)



Automotive Seals & Cavity Plugs(2)

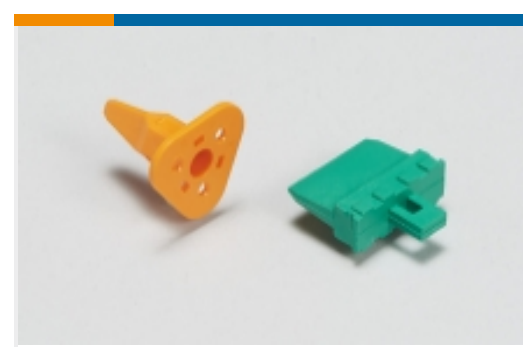


Automotive Terminals(5)

### Also in the Series | AMP MCP Connector System



Automotive Connector Caps &amp; Covers (24)



Automotive Connector Locks &amp; Position Assurance(7)



Automotive Housings(352)



Automotive Seals &amp; Cavity Plugs(6)



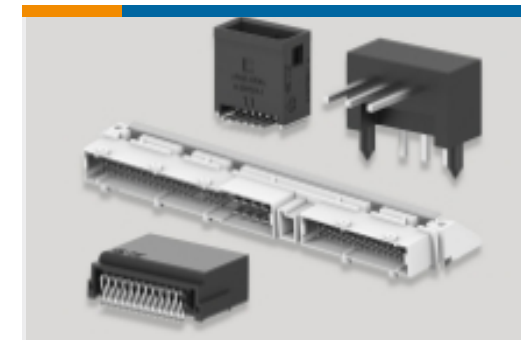
Automotive Terminals(125)



Insertion &amp; Extraction Tools(13)

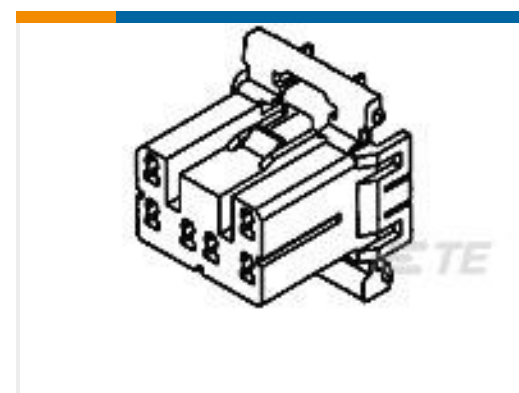
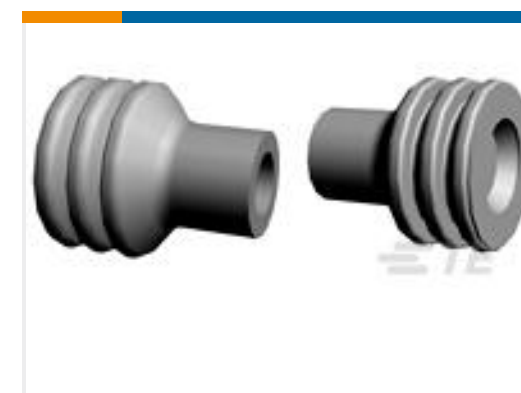


Other Automotive Connector Accessories(2)



PCB Headers &amp; Receptacles(29)

## Customers Also Bought

TE Part #176146-2  
ECONOSEAL, CONNECTOR HOUSINGTE Part #175088-1  
Econoseal Receptacles and TabsTE Part #368543-1  
070 MLC PLUG 14P HSGTE Part #85011-1  
RUBBER PLUG FOR SEALED CONN.TE Part #1544627-3  
POWER RECEPT CONT, 6.3 TO 9.5 MM, SOLDERTE Part #2188236-1  
025 8P PLUG DBL HSGTE Part #2188250-2  
JPT 4P SLD PLUG ASS'YTE Part #936552-2  
CLIP HSG FOR 187 CONN BLACK

## Documents

### Product Drawings

[MCP 6.3 2P PLUG ASSY](#)

English

### CAD Files

[Customer View Model](#)

[ENG\\_CVM\\_CVM\\_1897214-1\\_A.2d\\_dxf.zip](#)

English

[3D PDF](#)



3D

Customer View Model

[ENG\\_CVM\\_CVM\\_1897214-1\\_A.3d\\_igs.zip](#)

English

Customer View Model

[ENG\\_CVM\\_CVM\\_1897214-1\\_A.3d\\_stp.zip](#)

English

By downloading the CAD file I accept and agree to the [Terms and Conditions](#) of use.

**Product Specifications**

[Product Specification](#)

English