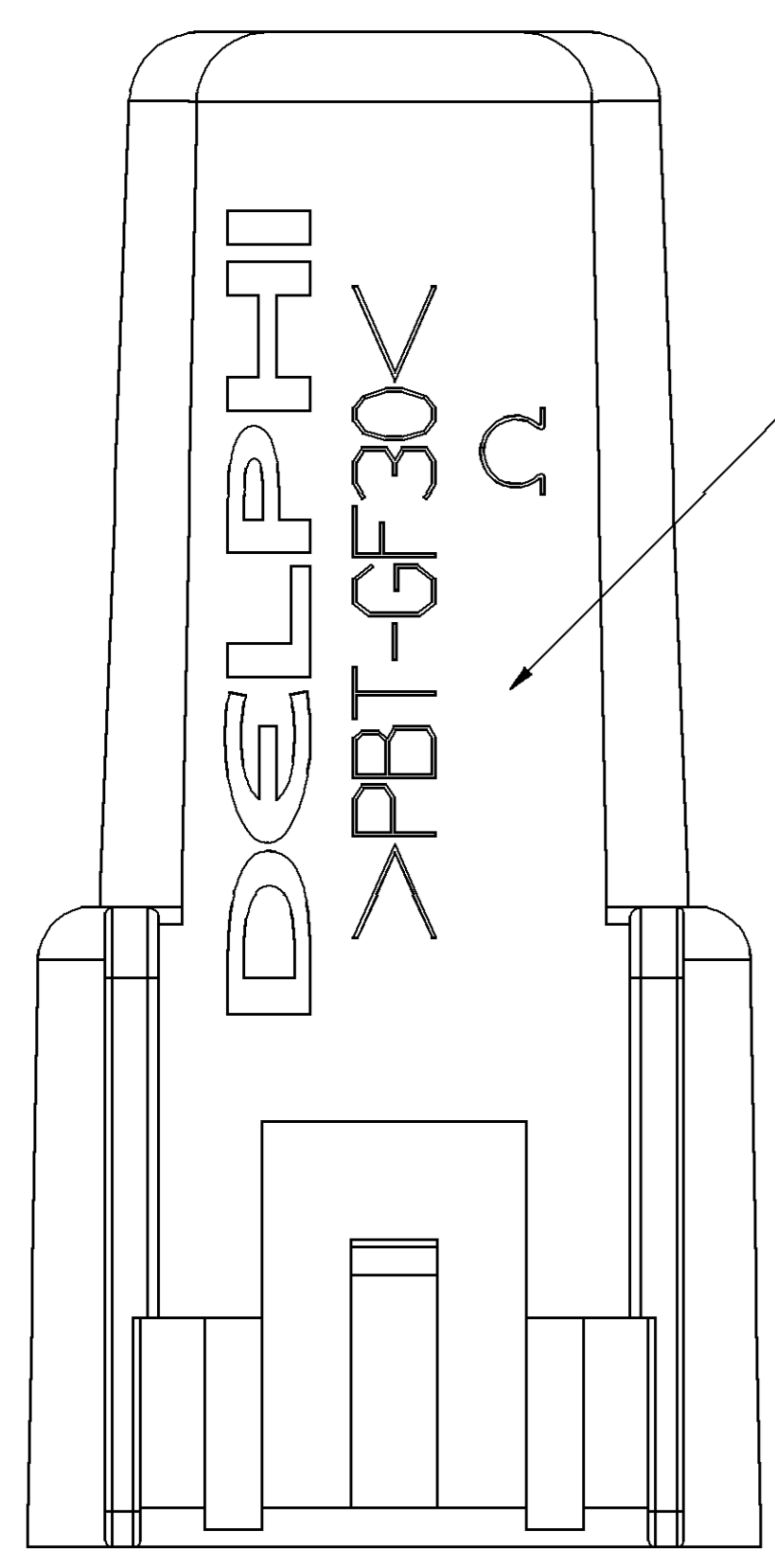
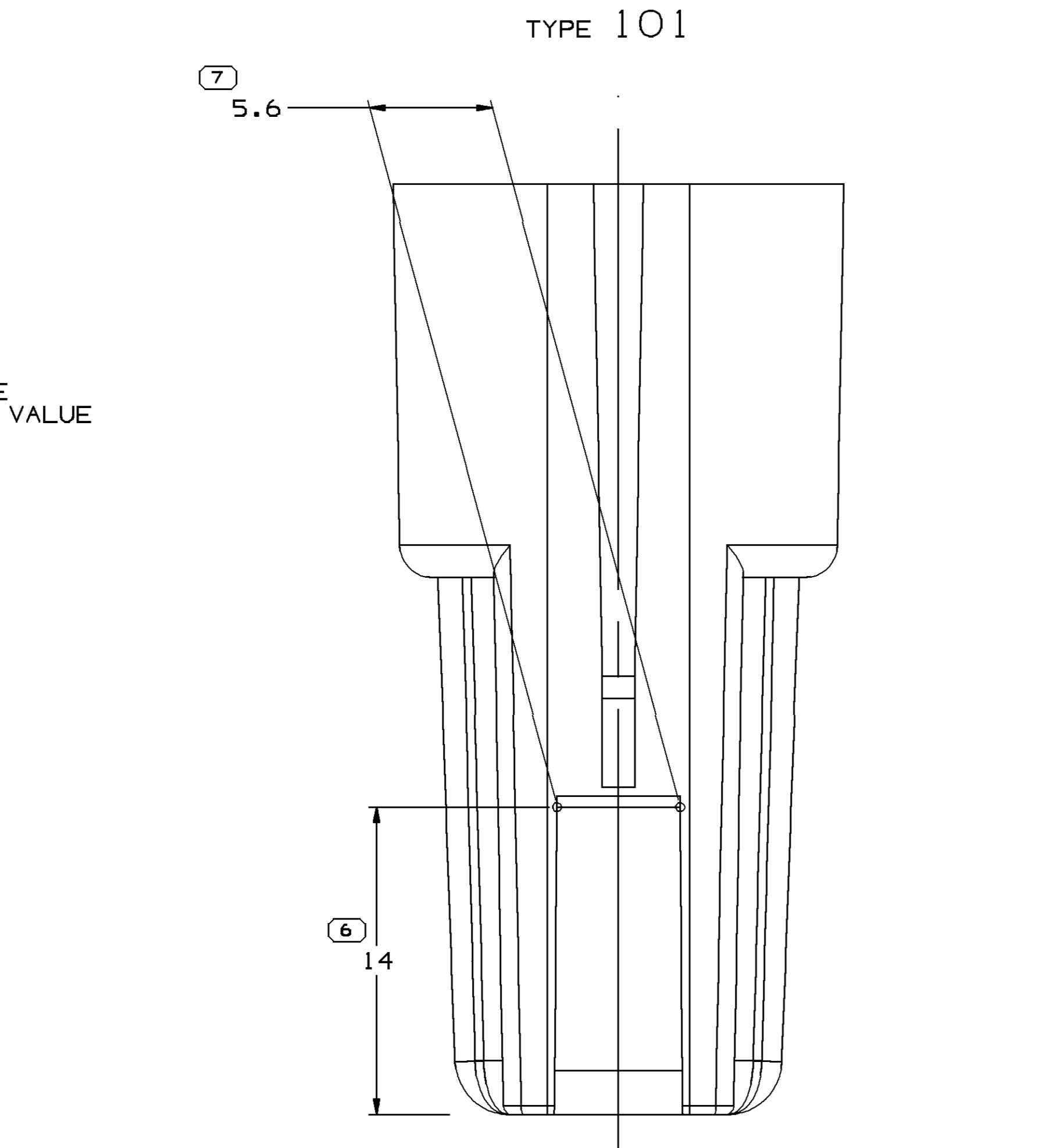
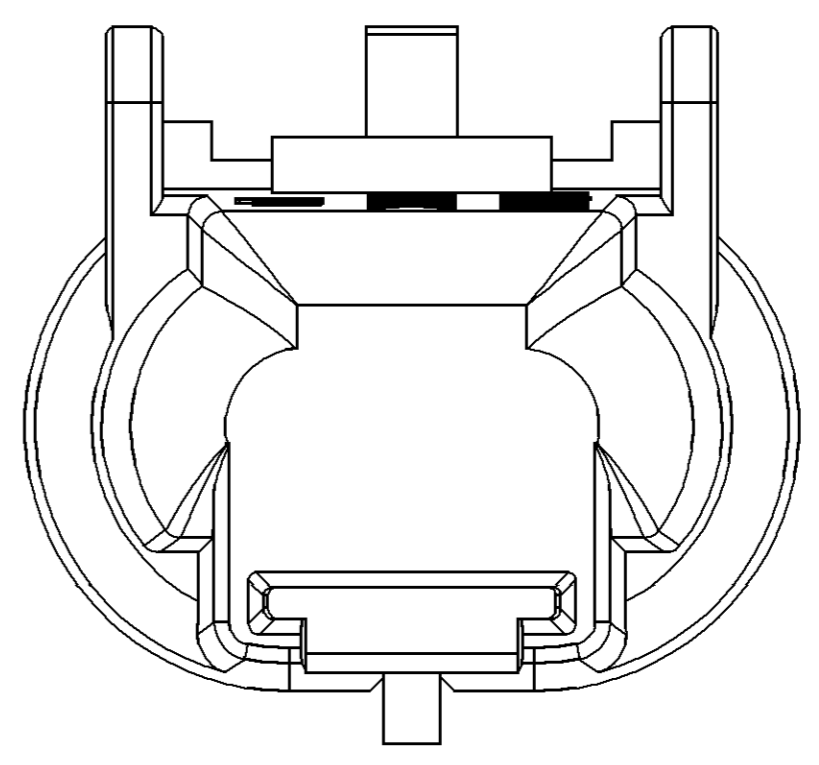
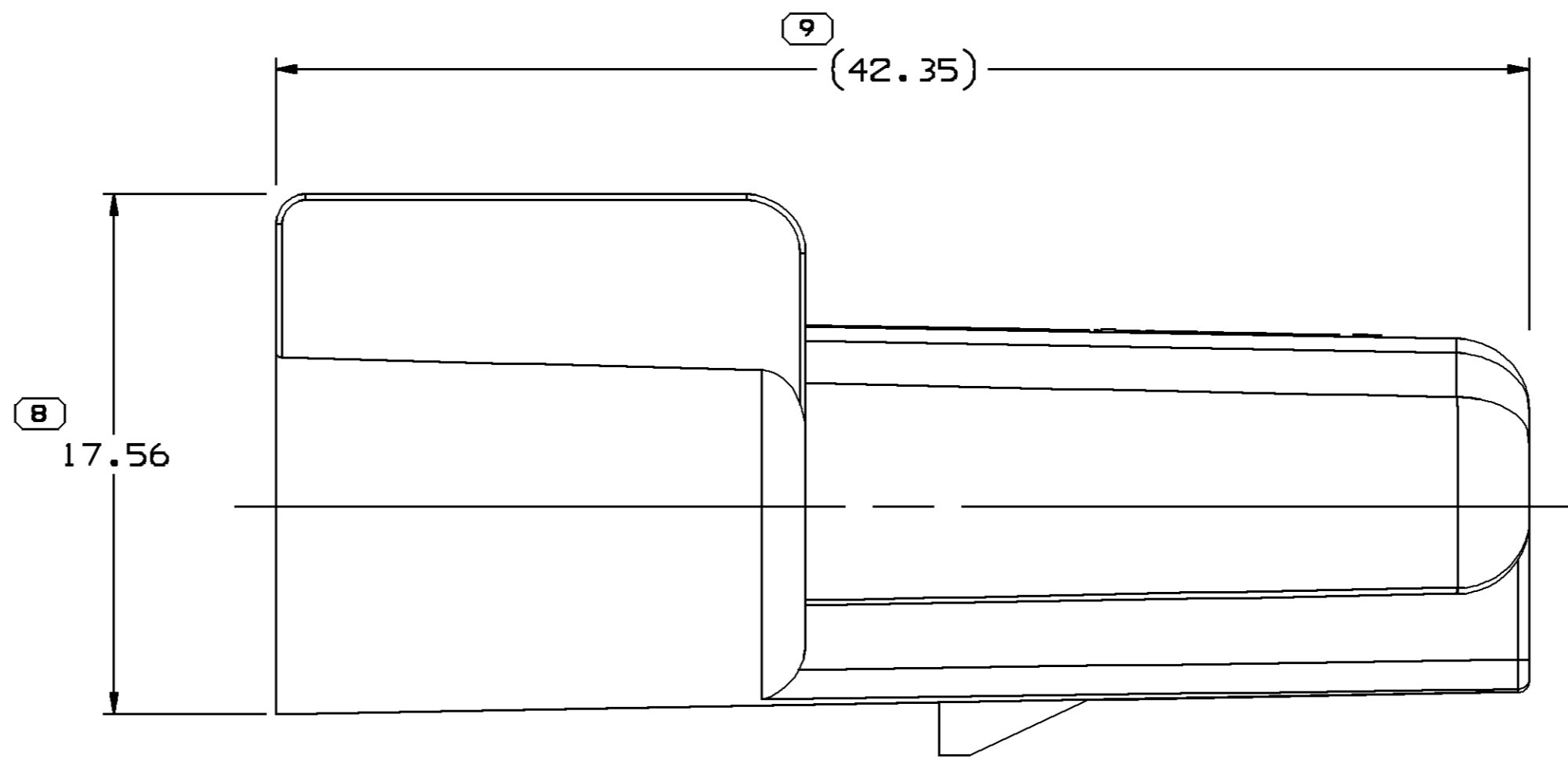
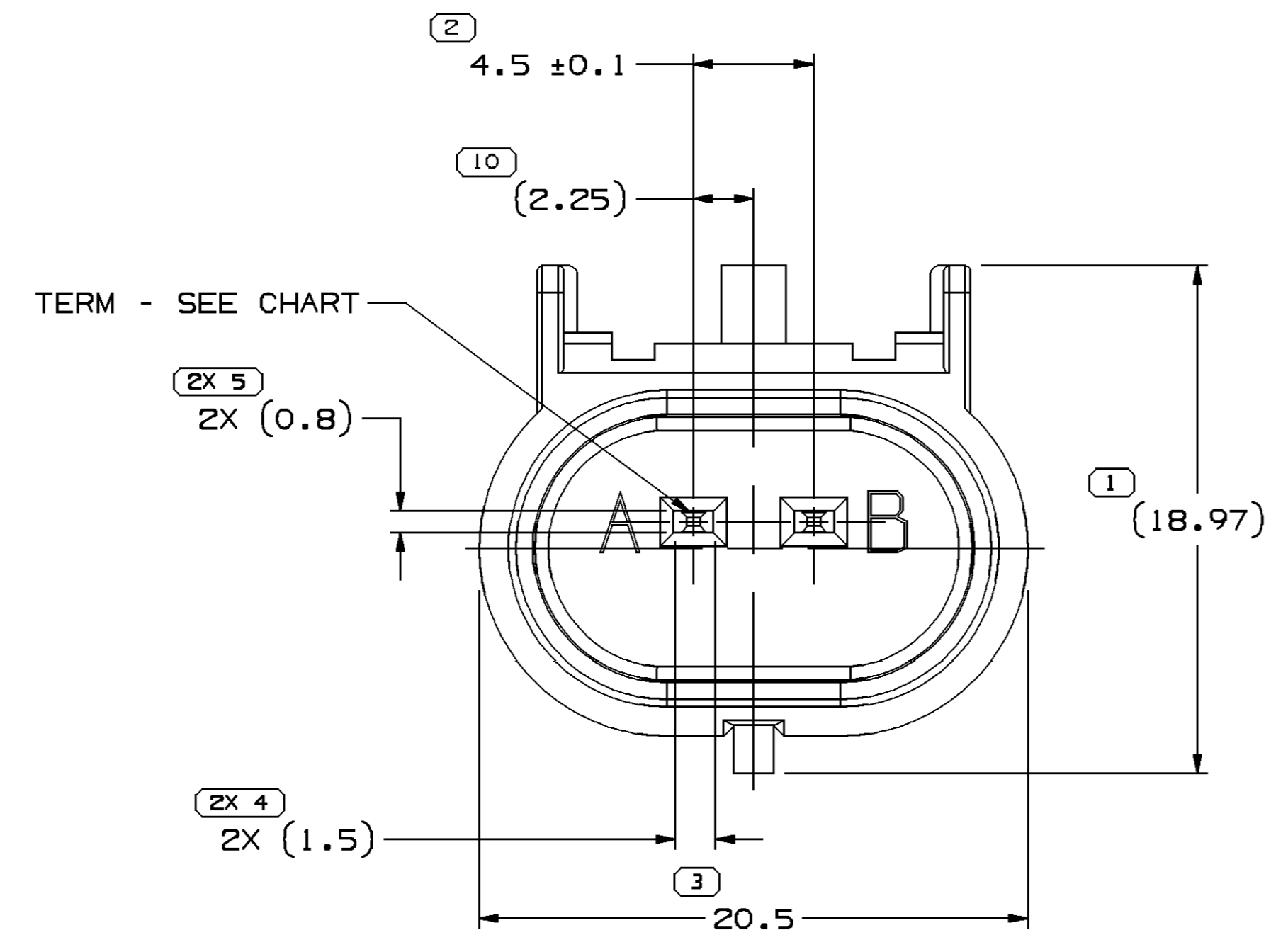
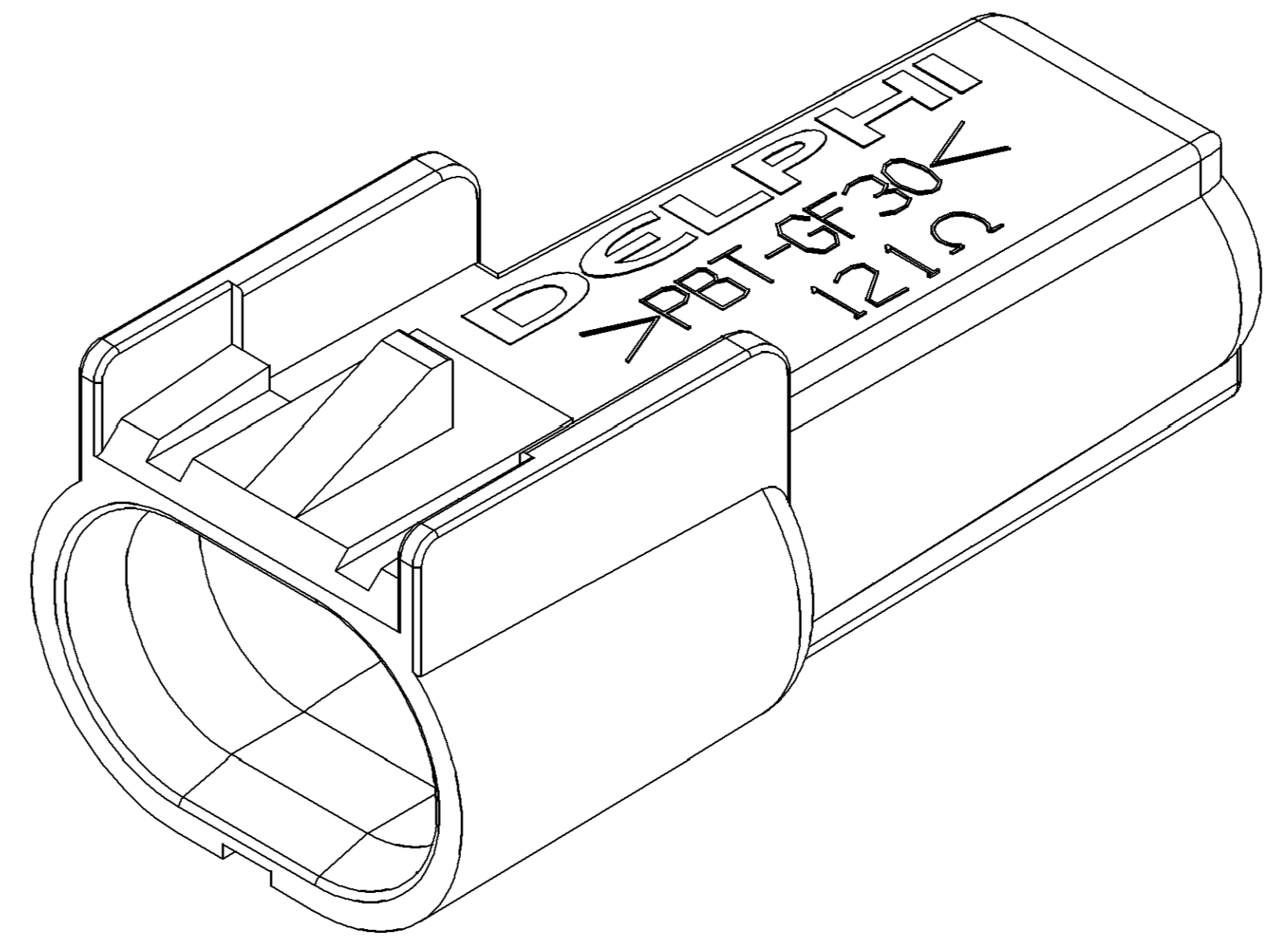
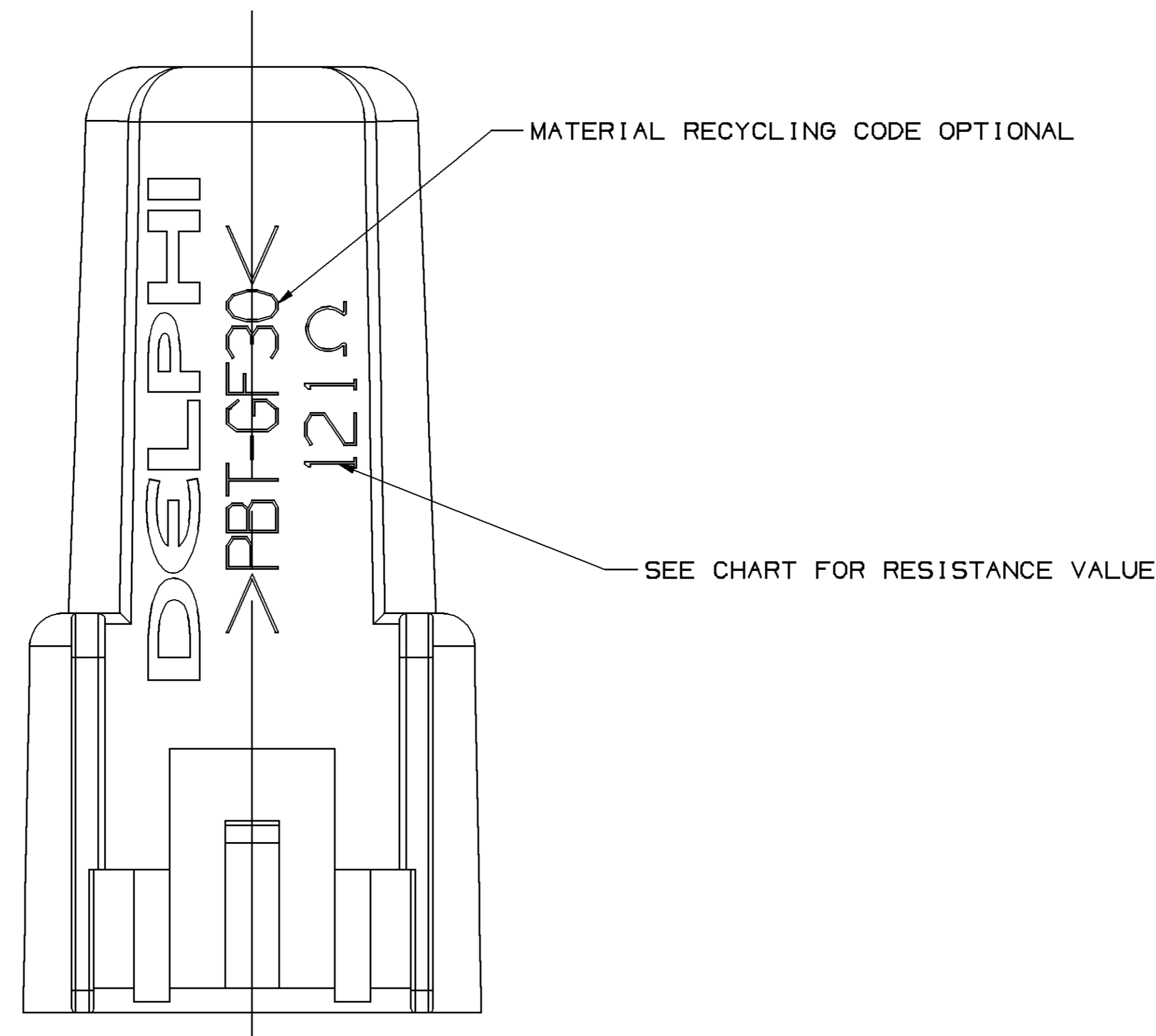


SYMBOL DEFINITION		TOTAL NO OF INSPECTIONS REQUIRED	MISSING SYMBOLS
A DIMENSION WITHOUT AN INSPECTION REPORT SYMBOL DOES NOT REQUIRE INSPECTION. IT MAY BE CONTROLLED ON THE INDIVIDUAL COMPONENT DRAWING.		12	NO MISSING SYMBOL NUMBER
	LAST NO. USED	10	

DWG STATUS				REVISION HISTORY				AUTH		AP/VD	
DATE	STG	REV	N/P	CHG	ZONE						
29JUL05	R	01	-	-	-	15459045 - MOVED TO TAXI; ALL PARTS - RELEASED	270573	AKJ	AKJ	RC	
04NOV05	R	02	-	-	-	ALL PARTS - ADDED TYPE 101	273978	MM	MM	RC	
12JUL06	R	03	-	-	-	ALL PARTS - UPDATED PDM ATTRIBUTES	282292	MM	MM	RC	
28AUG06	R	04	-	-	-	15429045 - ADDED 13549070 RESISTOR & REMOVED 15459931 TERM/RESISTOR ASM 13534887 - RESISTOR WAS 13534629; 13534888 - RESISTOR WAS 13534630; 13534889 - RESISTOR WAS 13534631; 13534890 - RESISTOR WAS 13534632; 13534891 - RESISTOR WAS 13534633; 13534892 - RESISTOR WAS 13534634; 13534893 - RESISTOR WAS 13534635; 13534894 - RESISTOR WAS 13534636; 13534895 - RESISTOR WAS 13534637; ALL PARTS - REMOVED TERM/RESISTOR ASM HEADER FROM THE CHART	283575	EES	EES	GR	
20SEP06	R	05	-	-	-	ALL PARTS - UPDATED PDM ATTRIBUTES	284867	JTZ	FRG	REB	
11JUN07	R	06	-	-	-	ALL PARTS - REVISED TERMINAL GRAPHICS TO LATEST REVISION	401644	RH	RH	GR	



TYPE 102
SAME AS TYPE 101 EXCEPT AS SHOWN

NOTES

- UNLESS OTHERWISE SPECIFIED AND/OR INDICATED:
DIMENSIONS ARE TO FACE OF VIEW SHOWN AND AUTOMATICALLY ROUNDED BY COMPUTER FOR INSPECTION. (SEE MATH MODEL FOR PRECISE DIMENSIONS.) FOR ALL OTHER DIMENSIONS NOT SHOWN BUT REQUIRED FOR TOOL BUILD, SEE MATH MODEL FOR PRECISE TOOL PATH DATA.
- REFERENCE MATING COMPONENTS OR EQUIVALENT:
CONNECTOR 13510085
TERMINAL 15326426. FEMALE TERMINAL MUST HAVE GOLD PLATED TERMINAL CONTACT AREA.
- MATERIAL RECYCLING CODE PER ISO 11469. (2.31X(0.1) CHARACTERS AS SHOWN TO BE LOCATED ON ANY EXTERIOR SURFACE.
- (2.31X(0.1) DELPHI CORPORATE BRAND TO BE LOCATED ON ANY EXTERIOR SURFACE, PREFERABLY VISIBLE AT FINAL ASSEMBLY. OPTIONAL CONSTRUCTION FOR EXISTING TOOLING MAY BE "PED".
- THIS PRODUCT IS NOT CATEGORIZED AS AN APPEARANCE ITEM, MINOR IMPERFECTIONS INCLUDING, BUT NOT LIMITED TO, FLOW MARKS, COLOR BLEMISHES, GATE VESTIGE, AND SOFT FLASH THAT DO NOT AFFECT THE FIT, FORM, OR FUNCTION OF THE PART ARE PERMISSIBLE PER NAP 4.10-18.

PART NO	REV	N/P	TYPE	TERMINAL	RESISTOR	RESISTANCE VALUE (OHMS ±1%)	MATERIAL SPECIFICATION AND COLOR	VOLUME CM ³
13534895	04	-	102	15455930	13589069	12,700	POLYESTER COMPOUND BLK	5.844
13534894	04	-	102	15455930	13589068	7320	POLYESTER COMPOUND BLK	5.844
13534893	04	-	102	15455930	13589067	3160	POLYESTER COMPOUND BLK	5.844
13534892	04	-	102	15455930	13589066	1820	POLYESTER COMPOUND BLK	5.844
13534891	04	-	102	15455930	13589065	1150	POLYESTER COMPOUND BLK	5.844
13534890	04	-	102	15455930	13589064	715	POLYESTER COMPOUND BLK	5.844
13534889	04	-	102	15455930	13589063	453	POLYESTER COMPOUND BLK	5.844
13534888	04	-	102	15455930	13589062	255	POLYESTER COMPOUND BLK	5.844
13534887	04	-	102	15455930	13589061	115	POLYESTER COMPOUND BLK	5.844
15429045	04	-	101	15455930	13589070	121	POLYESTER COMPOUND BLK	5.844

DIMENSIONAL RANGE (MM)		TOLERANCE UNLESS OTHERWISE SPECIFIED	
FROM	TO	ANGULAR	TOLERANCE
> 0	> 30	±0.1	±0.1
30	70	±0.15	±0.15
70	100	±0.2	±0.2
100	150	±0.3	±0.3
150	200	±0.4	±0.4
200	250	±0.5	±0.5
250	300	±0.6	±0.6
300	400	±0.8	±0.8

DELPHI
DELPHI PACKARD ELECTRICAL/ELECTRONIC ARCHITECTURE
NAPER, IL

DR: ANAND JAGANATHAN
DATE: 29JUL05

AP/VD1: ANAND JAGANATHAN
AP/VD2: ANAND JAGANATHAN
AP/VD3: RANDY CVELBAR
AP/VD4:
AP/VD5:

SUBSTANCES OF CONCERN AND RECYCLED CONTENT PER DELPHI 10949001

DRAWING NAME: TAXI ASM CONN M GT 150 SENSOR

DRAWING NUMBER: 13534897

SCALE: 5:1
SHEET NO: 1 OF 1
REV: R 06