

172496-1 ✓ ACTIVE

AMP | Mark II

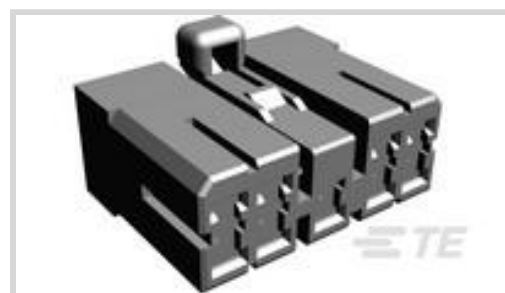
TE Internal #: 172496-1

Housing for Female Terminals, Wire-to-Device / Wire-to-Board / Wire-to-Wire, 9 Position, .197 in / .276 in [7 mm / 5 mm] Centerline, Natural, Mark II

[View on TE.com >](#)



Connectors > Automotive Connectors > Connector Housings



Connector & Housing Type: **Housing for Female Terminals**

Mating Tab Width: **3 mm [.118 in]**

Connector System: **Wire-to-Board, Wire-to-Device, Wire-to-Wire**

Number of Positions: **9**

Centerline (Pitch): **5 mm, 7 mm [.197 in, .276 in]**

Features

Product Type Features

| | |
|---------------------------|---|
| Connector & Housing Shape | Rectangular |
| Connector & Housing Type | Housing for Female Terminals |
| Connector System | Wire-to-Board, Wire-to-Device, Wire-to-Wire |
| Sealable | No |
| Hybrid Connector | No |
| Primary Locking Feature | Integrated in Housing |

Configuration Features

| | |
|---------------------|---|
| Number of Positions | 9 |
| Number of Rows | 2 |

Electrical Characteristics

| | |
|------------------------------|--------|
| Operating Voltage | 12 VDC |
| Nominal Voltage Architecture | 12 V |

Body Features

| | |
|-----------------------|---------|
| Cable Exit Angle | 180° |
| Body Material | PA |
| Primary Product Color | Natural |

Contact Features



| | |
|------------------|---------------|
| Contact Size | 3mm |
| Contact Type | Receptacle |
| Mating Tab Width | 3 mm[.118 in] |

Mechanical Attachment

| | |
|-----------------------------|----------------------------|
| Mounting Feature | Without |
| Terminal Position Assurance | No |
| Strain Relief | Without |
| Mating Alignment Type | Polarization Slot |
| Mating Alignment | With |
| Connector Mounting Type | Cable Mount (Free-Hanging) |

Housing Features

| | |
|--------------------|------------------------------|
| Centerline (Pitch) | 5 mm, 7 mm[.197 in][.276 in] |
|--------------------|------------------------------|

Dimensions

| | |
|--------------------|-----------------|
| Product Width | 30 mm[1.181 in] |
| Product Length | 24 mm[.945 in] |
| Product Height | 18.8 mm[.74 in] |
| Row-to-Row Spacing | 3.4 mm[.134 in] |

Usage Conditions

| | |
|-----------------------------|--|
| Operating Temperature (Max) | 70 °C, 75 °C, 80 °C, 85 °C, 90 °C, 100 °C, 105 °C[158 °F][167 °F][176 °F][185 °F][194 °F] [212 °F][221 °F] |
| Operating Temperature Range | -30 – 105 °C[-22 – 221 °F] |

Operation/Application

| | |
|---------------------|--------|
| Circuit Application | Signal |
|---------------------|--------|

Industry Standards

| | |
|------------------------|----------|
| UL Flammability Rating | UL 94V-2 |
|------------------------|----------|

Packaging Features

| | |
|------------------|-----------|
| Packaging Method | Bag & Box |
|------------------|-----------|

Other

| | |
|--------------------------------------|-----|
| Serviceable | Yes |
| Connector Position Assurance Capable | No |

Product Compliance


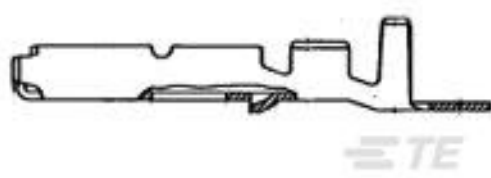
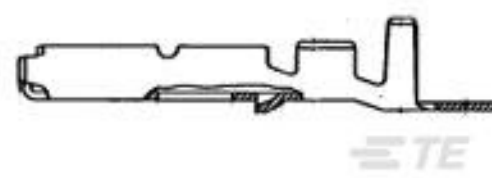
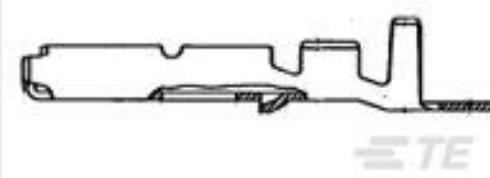
[For compliance documentation, visit the product page on TE.com>](#)

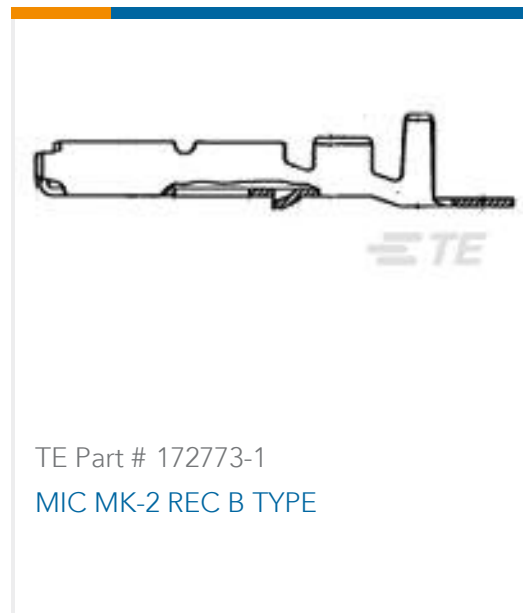
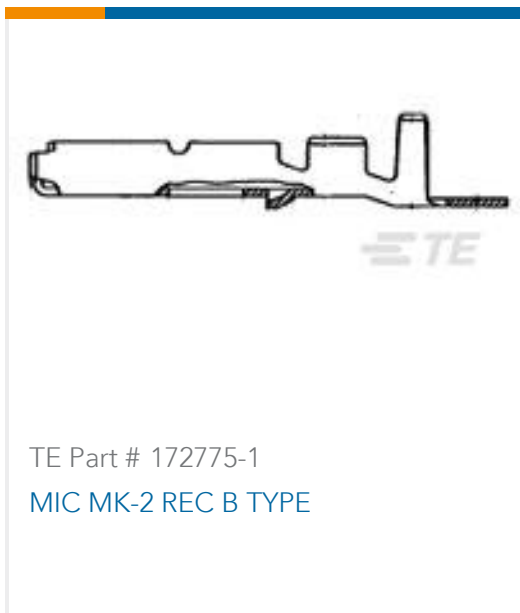
| | |
|---|---|
| EU RoHS Directive 2011/65/EU | Compliant |
| EU ELV Directive 2000/53/EC | Compliant |
| China RoHS 2 Directive MIIT Order No 32, 2016 | No Restricted Materials Above Threshold |
| EU REACH Regulation (EC) No. 1907/2006 | Current ECHA Candidate List: JAN 2022 (223) Candidate List Declared Against: JAN 2022 (223) Does not contain REACH SVHC |
| Halogen Content | Low Halogen - Br, Cl, F, I < 900 ppm per homogenous material. Also BFR/CFR/PVC Free |
| Solder Process Capability | Not applicable for solder process capability |

Product Compliance Disclaimer

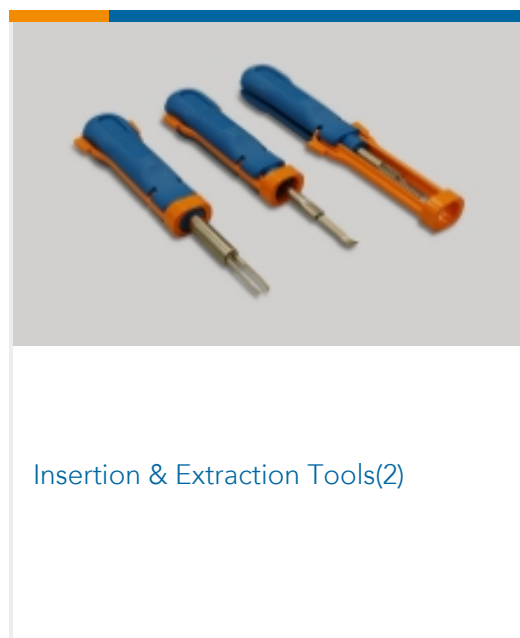
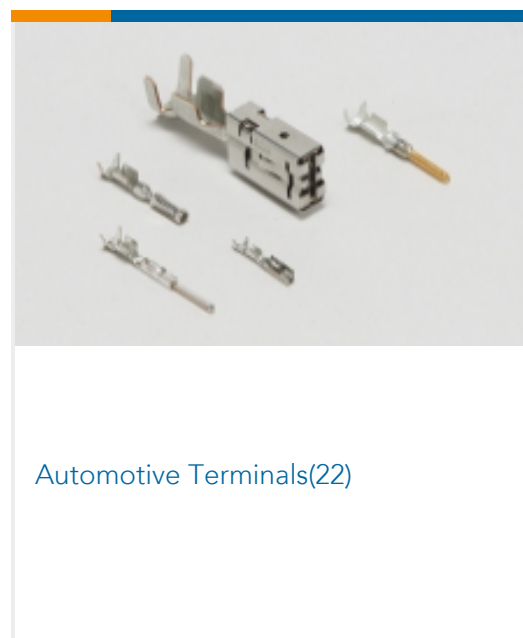
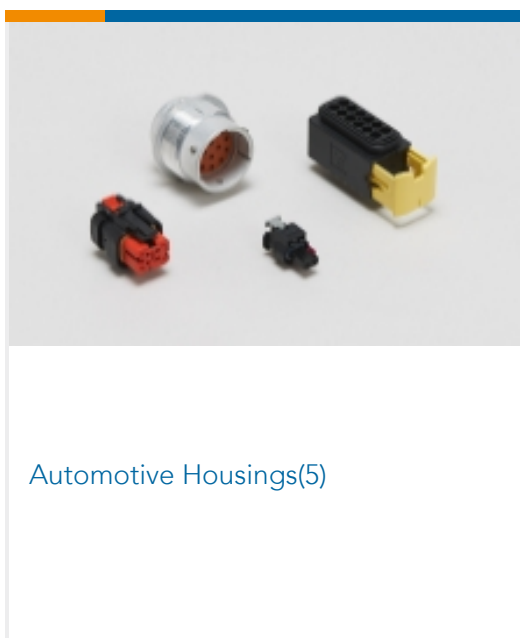
This information is provided based on reasonable inquiry of our suppliers and represents our current actual knowledge based on the information they provided. This information is subject to change. The part numbers that TE has identified as EU RoHS compliant have a maximum concentration of 0.1% by weight in homogenous materials for lead, hexavalent chromium, mercury, PBB, PBDE, DBP, BBP, DEHP, DIBP, and 0.01% for cadmium, or qualify for an exemption to these limits as defined in the Annexes of Directive 2011/65/EU (RoHS2). Finished electrical and electronic equipment products will be CE marked as required by Directive 2011/65/EU. Components may not be CE marked. Additionally, the part numbers that TE has identified as EU ELV compliant have a maximum concentration of 0.1% by weight in homogenous materials for lead, hexavalent chromium, and mercury, and 0.01% for cadmium, or qualify for an exemption to these limits as defined in the Annexes of Directive 2000/53/EC (ELV). Regarding the REACH Regulation, the information TE provides on SVHC in articles for this part number is based on the latest European Chemicals Agency (ECHA) 'Guidance on requirements for substances in articles' posted at this URL: <https://echa.europa.eu/guidance-documents/guidance-on-reach>

Compatible Parts

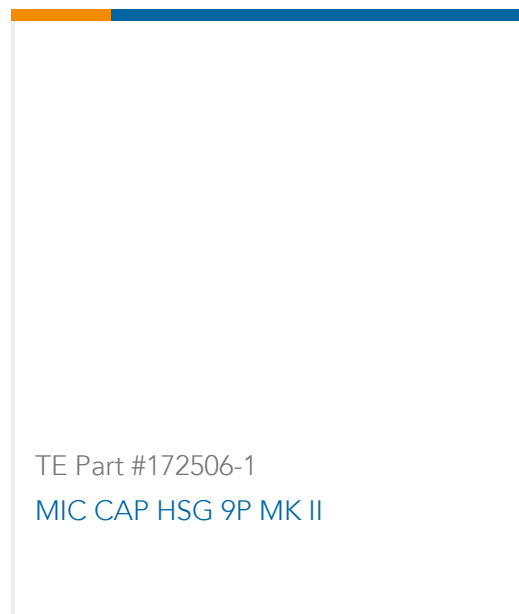
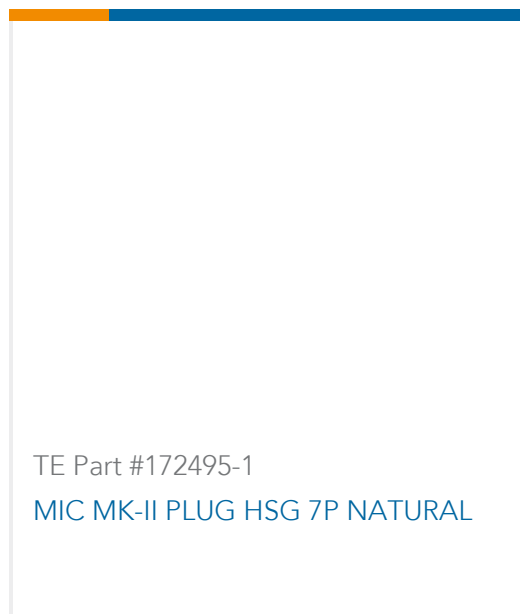
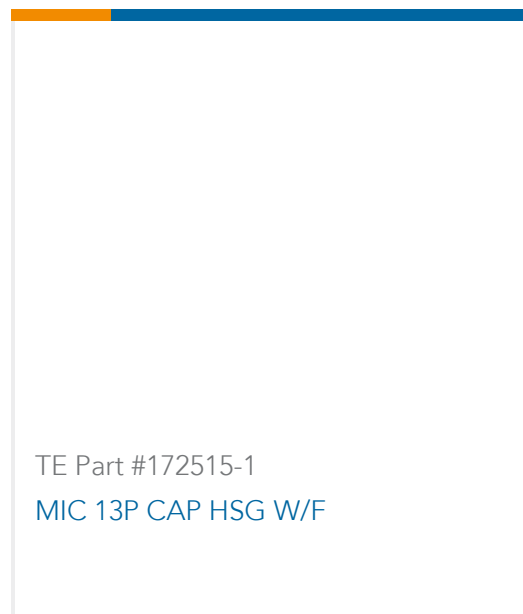
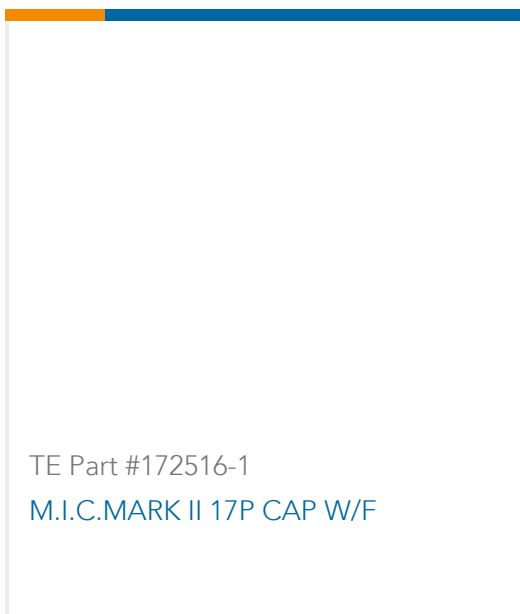
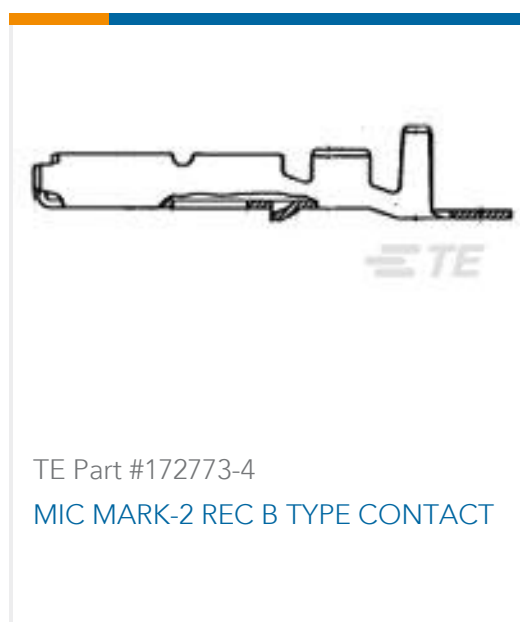
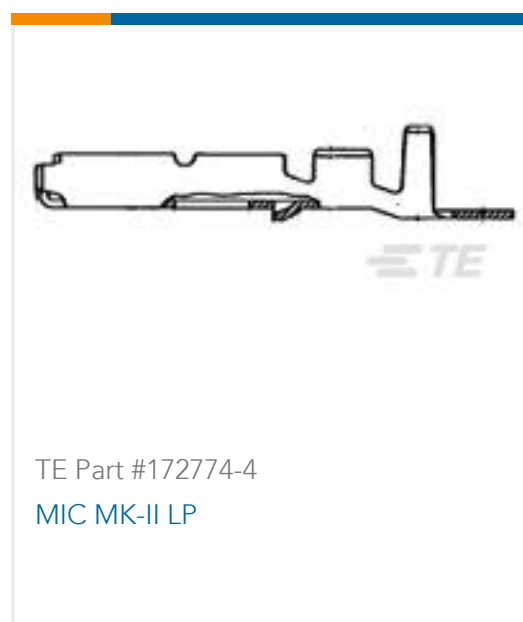
| | | | |
|--|---|---|---|
|  <p>TE Part # 172774-1 RECP CONT MULTILOCK MIC MARKII</p> |  <p>TE Part # 172774-4 MIC MK-II LP</p> |  <p>TE Part # 172773-2 MIC MK-2 REC B TYPE</p> |  <p>TE Part # 172773-4 MIC MARK-2 REC B TYPE CONTACT</p> |
|--|---|---|---|

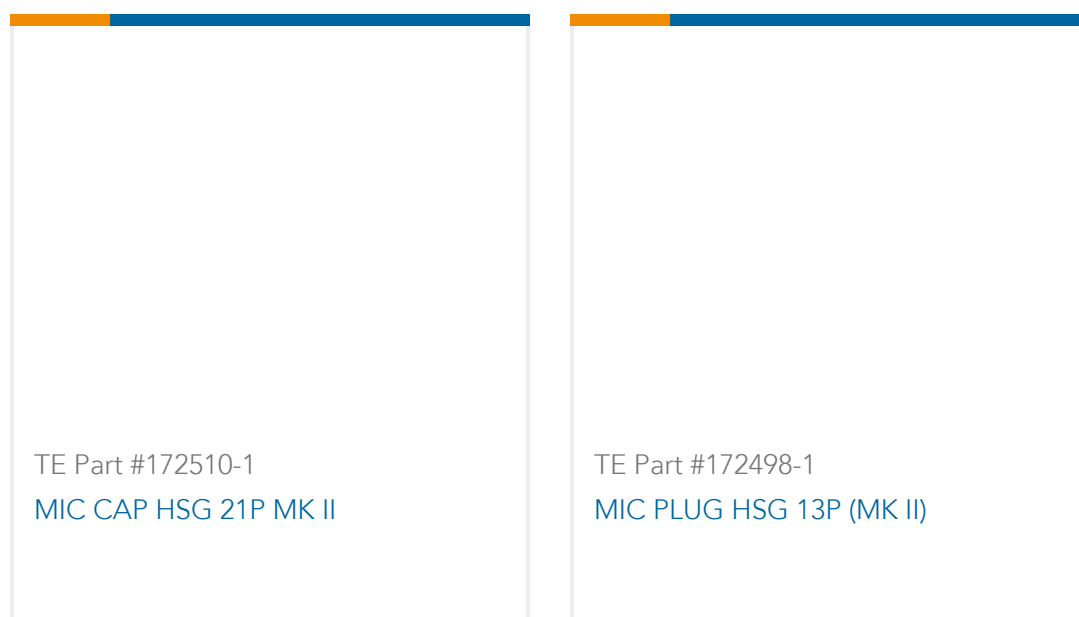


Also in the Series | Mark II



Customers Also Bought





Documents

Product Drawings

MIC PLUG HSG 9P (MK II)

English

CAD Files

Customer View Model

[ENG_CVM_172496-1_A.3d_igs.zip](#)

English

Customer View Model

[ENG_CVM_172496-1_A.3d_stp.zip](#)

English

Customer View Model

[ENG_CVM_172496-1_A.2d_dxf.zip](#)

English

3D PDF

English

By downloading the CAD file I accept and agree to the [Terms and Conditions](#) of use.

Product Specifications

Multi-Interlock Mark II Connector for Wire to Board Termination

English

Product Specification

English

Product Specification

English

Multi-Interlock Mark II Connector for Wire to Wire Termination

English

Product Environmental Compliance

Product Compliance

English

Product Compliance

English

Instruction Sheets

Multi Interlock Connector Mark II



English

[Customer Manual \(non U.S.\)](#)

English

[Agency Approvals](#)

[Agency Approval Document](#)

English