

1827855-1 ✓ ACTIVE



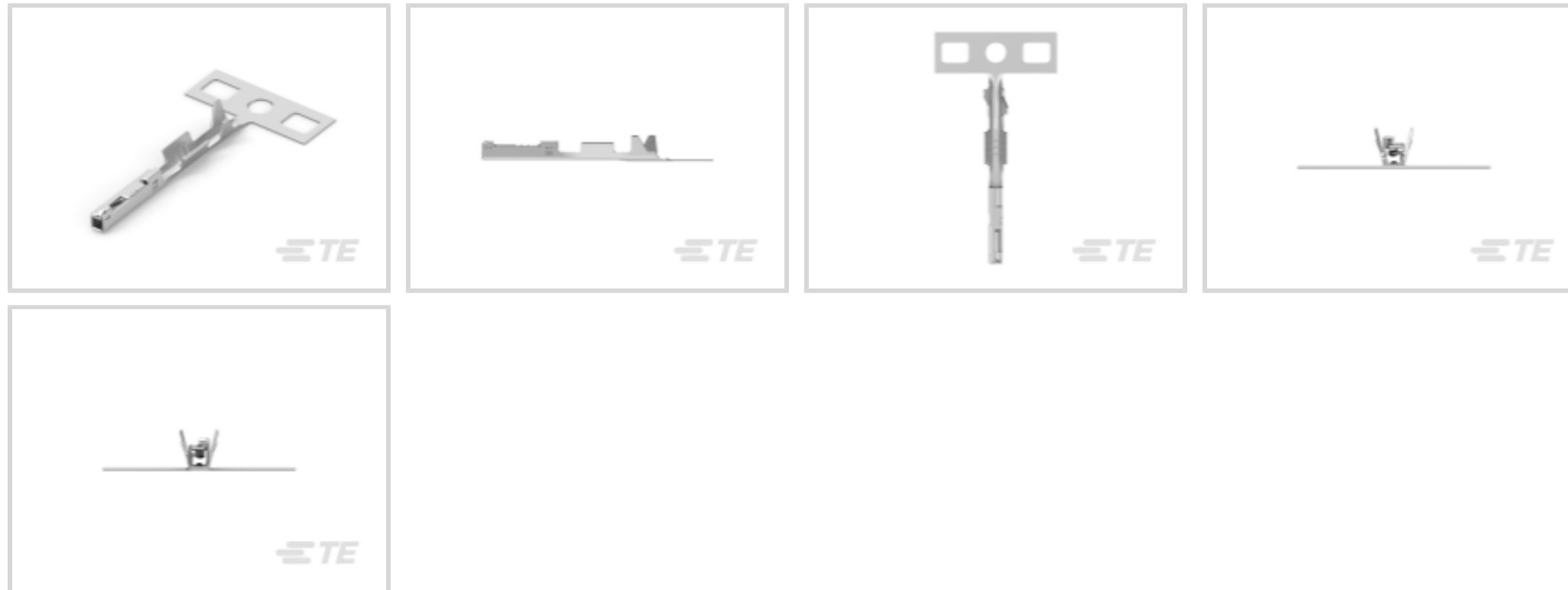
0.50 Connector System

TE Internal #: 1827855-1

Automotive Terminals, Receptacle, Mating Tab Width .5 mm [.02 in], Tab Thickness .016 in [.4 mm], 24 – 22 AWG Wire Size, 0.50 Connector System

[View on TE.com >](#)

Terminals & Splices > Automotive Terminals



Terminal Type: **Receptacle**

Mating Tab Width: .5 mm [.02 in]

Mating Tab Thickness: .4 mm [.016 in]

Terminal Transmits: 0 – 24 A (Low Power)

Wire Size: 24 – 22 AWG

Features

Product Type Features

Sealable	No
Primary Locking Feature	Clean Body

Contact Features

Crimp Type	F-Crimp
Terminal Type	Receptacle
Mating Tab Width	.5 mm [.02 in]
Mating Tab Thickness	.4 mm [.016 in]
Interface Plating	Tin (Sn)

Termination Features

Termination Method to Wire & Cable	Crimp
Product Terminates To	Wire

Dimensions

Wire Size	.22 – .35 mm ²
Wire Size Search	22 AWG, 23 AWG, 24 AWG



Wire Insulation Diameter	.95 – 1.2 mm [.037 – .047 in]
--------------------------	-------------------------------

Usage Conditions

Insulation Option	Uninsulated
Operating Temperature (Max)	80 °C, 85 °C, 90 °C [176 °F][185 °F][194 °F]
Operating Temperature Range	-30 – 90 °C [-22 – 194 °F]

Operation/Application

Compatible With Wire Base Material	Copper
------------------------------------	--------

Packaging Features

Packaging Method	Reel
Packaging Quantity	14500

Other

Terminal Transmits	0 – 24 A (Low Power)
--------------------	----------------------

Product Compliance

[For compliance documentation, visit the product page on TE.com>](#)

EU RoHS Directive 2011/65/EU	Compliant
EU ELV Directive 2000/53/EC	Compliant
China RoHS 2 Directive MIIT Order No 32, 2016	No Restricted Materials Above Threshold
EU REACH Regulation (EC) No. 1907/2006	Current ECHA Candidate List: JAN 2022 (223) Candidate List Declared Against: JAN 2022 (223) Does not contain REACH SVHC
Halogen Content	Low Halogen - Br, Cl, F, I < 900 ppm per homogenous material. Also BFR/CFR/PVC Free
Solder Process Capability	Not reviewed for solder process capability

Product Compliance Disclaimer

This information is provided based on reasonable inquiry of our suppliers and represents our current actual knowledge based on the information they provided. This information is subject to change. The part numbers that TE has identified as EU RoHS compliant have a maximum concentration of 0.1% by weight in homogenous materials for lead, hexavalent chromium, mercury, PBB, PBDE, DBP, BBP, DEHP, DIBP, and 0.01% for cadmium, or qualify for an exemption to these limits as defined in the Annexes of Directive 2011/65/EU (RoHS2). Finished electrical and electronic equipment products will be CE marked as required by Directive 2011/65/EU. Components may not be CE marked. Additionally, the part numbers that TE has identified as EU ELV compliant have a maximum concentration of 0.1% by weight in homogenous materials for lead, hexavalent chromium, and mercury, and 0.01% for cadmium, or qualify for an exemption to these limits as defined in the Annexes of Directive 2000/53/EC (ELV). Regarding the REACH Regulation, the information TE provides

on SVHC in articles for this part number is based on the latest European Chemicals Agency (ECHA) 'Guidance on requirements for substances in articles' posted at this URL: <https://echa.europa.eu/guidance-documents/guidance-on-reach>

Compatible Parts



TE Part # 2305570-1
TERMINAL CUTTER, SIDE FEED



TE Part # CAT-A12-CH8172
0.50 CONNECTOR SYSTEM, CONNECTOR HOUSING



TE Part # CAT-HPCH5372
HIGH PIN COUNT HEADER



TE Part # CAT-MINH6642
MINIATURIZED HEADER



TE Part # 1891600-1
EXTRACTION TOOL



TE Part # 1554289-1
0.50 CONN 40P PLUG ASSY KEYING TYPE2



TE Part # 2-2151147-1
OCEAN-2.0-APPLICATOR-S-042F042O



TE Part # 2-2151147-2
OCEAN-2.0-APPLICATOR-S-042F042OA



TE Part # 2013031-2
0.50 SERIES 24POS PLUG ASSY



TE Part # 2151147-1
OCEAN-2.0-APPLICATOR-S-042F042O




TE Part # 2151147-2
OCEAN-2.0-APPLICATOR-S-042F042OA



TE Part # 7-2151147-1
OCEAN-2.0-APPLICATOR-S-042F042O



TE Part # 7-2151147-2
OCEAN-2.0-APPLICATOR-S-042F042OA



KIT
TE Part # 7-2151147-7
OCEAN_2.0_SPARE_PART_KIT-042F042O

Also in the Series | 0.50 Connector System



Automotive Housings(28)



Automotive Seals & Cavity Plugs(2)



Automotive Terminals(8)



Insertion & Extraction Tools(1)

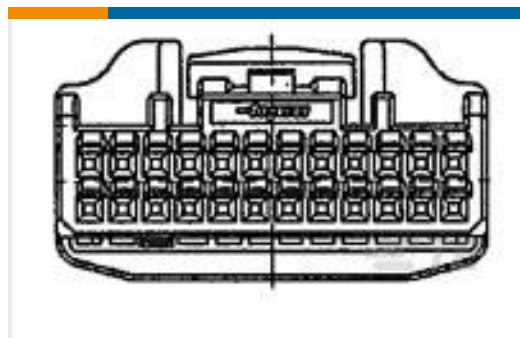


PCB Headers & Receptacles(15)

Customers Also Bought



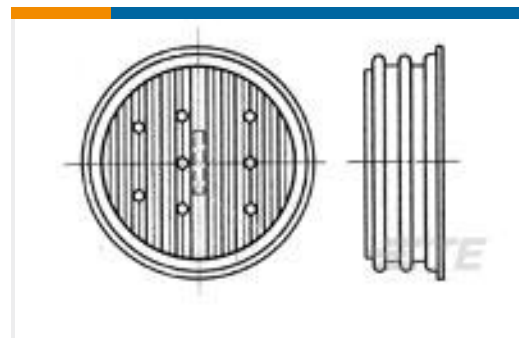
TE Part #1718878-1
JPT/ AMP MCP 6.3/9.5 HSG 5 POS



TE Part #1674312-1
0.64 III 40POS PLUG ASSY



TE Part #1827842-1
0.50 CONNECTOR SYSTEM,
CONNECTOR HOUSING



TE Part #172200-1
ECONOSEAL-J CONN RUBBER 2P



TE Part #1612124-3
1DIA SOCKET AU



TE Part #2013031-2
0.50 SERIES 24POS PLUG ASSY



TE Part #1903608-4
0.50 SERIES CONN 12POS PLUG
HOUSING ASSY

Documents

Product Drawings

0.50 SERIES CONNECTER RECEPTACLE CONTACT

English

CAD Files

3D PDF

3D

Customer View Model

ENG_CVM_CVM_1827855-1_B.2d_dxf.zip



English

Customer View Model

[ENG_CVM_CVM_1827855-1_B.3d_igs.zip](#)

English

Customer View Model

[ENG_CVM_CVM_1827855-1_B.3d_stp.zip](#)

English

By downloading the CAD file I accept and agree to the [Terms and Conditions](#) of use.

Product Specifications

[Application Specification](#)

English

[Application Specification](#)

Japanese

Product Environmental Compliance

[Product Compliance](#)

English

[Product Compliance](#)

English

Instruction Sheets

[0.50/1.5 HYBRID SERIES UNSEALED CONNECTOR \(SMT-TYPE\)](#)

English

[Instruction Sheet \(U.S.\)](#)

English