

1.25mm (.049") Pitch PicoBlade™ Wire-to-Wire Plug 51047

Features and Benefits

- Sizes 2 to 10 circuits

Reference Information

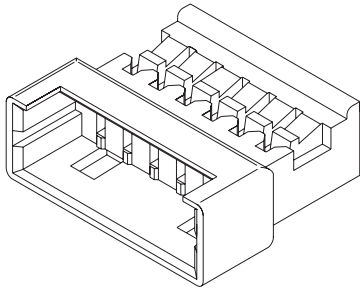
Packaging: Bag
Use With: 50125/50133
Mates With: 51021
Designed In: Millimeters

Electrical

Voltage: 125V
Current: 1.0A (32 AWG—0.8A)
Contact Resistance: 20 milliohms max.
Dielectric Withstanding Voltage: 250V AC/1 min.
Insulation Resistance: 100 Megohms min.

Physical

Housing: PBTP, UL 94V-0
Operating Temperature: -40 to +85°C



Circuits	Order No.
2	51047-0200
3	51047-0300
4	51047-0400
5	51047-0500
6	51047-0600

Circuits	Order No.
7	51047-0700
8	51047-0800
9	51047-0900
10	51047-1000

1.25mm (.049") Pitch PicoBlade™ Wire-to-Board Header 53398 Vertical, SMT

Features and Benefits

- Sizes 2 to 15 circuits
- Locking windows provide secure mating
- Metal solder tabs provide PCB hold-down and strain relief for SMT tails

Reference Information

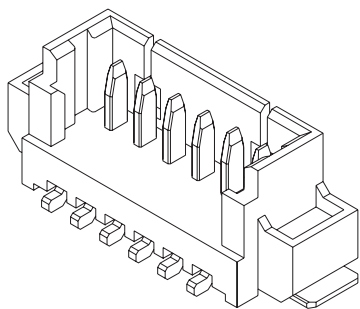
Packaging: Embossed tape
Mates With: 51021
Designed In: Millimeters

Electrical

Voltage: 125V
Current: 1.0A (32 AWG—0.8A)
Contact Resistance: 20 milliohms max.
Dielectric Withstanding Voltage: 250V AC/1 min.
Insulation Resistance: 100 Megohms min.

Physical

Housing: Glass-filled 4/6 nylon, UL 94V-0
Contact: Phosphor Bronze
Plating: Tin
Solder Tabs: Phosphor Bronze, Tin plating
Operating Temperature: -40 to +85°C



Circuits	Order No.	Carrier Tape Width	Lead-free
2	53398-0271	16.00 (.630)	Yes
3	53398-0371		
4	53398-0471		
5	53398-0571	24.00 (.945)	
6	53398-0671		
7	53398-0771		
8	53398-0871		
9	53398-0971		
10	53398-1071		

Circuits	Order No.	Carrier Tape Width	Lead-free
11	53398-1171	32.00 (1.260)	Yes
12	53398-1271		
13	53398-1371		
14	53398-1471	44.00 (1.732)	
15	53398-1571		