

368500-1 ✓ ACTIVE

Multilock Connector System

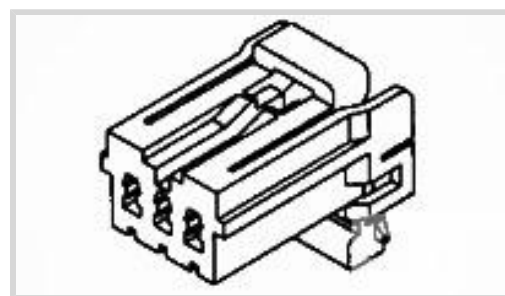
TE Internal #: 368500-1

Wire-to-Wire, 3 Position, .138 in [3.5 mm] Centerline, Natural, Signal, Cable Mount (Free-Hanging), Multilock Connector System

[View on TE.com >](#)



Connectors > Automotive Connectors > Connector Housings > MULTILOCK, CONNECTOR HOUSING



Mating Tab Width: 1.8 mm [.071 in]

Connector System: **Wire-to-Wire**

Number of Positions: 3

Centerline (Pitch): 3.5 mm [.138 in]

Sealable: No

[All MULTILOCK, CONNECTOR HOUSING \(576\)](#)

Features

Product Type Features

Connector & Housing Shape	Rectangular
Connector System	Wire-to-Wire
Sealable	No
Hybrid Connector	No

Configuration Features

Number of Positions	3
Number of Rows	1

Body Features

Body Material	PBT GF
Primary Product Color	Natural

Contact Features

Contact Size	1.8mm
Mating Tab Width	1.8 mm[.071 in]

Mechanical Attachment

Mounting Feature	Without
Terminal Position Assurance	No
Strain Relief	Without



Mating Alignment Type	Polarized
Mating Alignment	With
Connector Mounting Type	Cable Mount (Free-Hanging)

Housing Features

Centerline (Pitch)	3.5 mm [.138 in]
--------------------	------------------

Dimensions

Product Width	15.9 mm [.626 in]
Product Length	13.9 mm [.547 in]
Product Height	21.6 mm [.85 in]

Operation/Application

Circuit Application	Signal
---------------------	--------

Packaging Features

Packaging Quantity	600
Packaging Method	Bag

Other

Connector Position Assurance Capable	No
--------------------------------------	----

Product Compliance

[For compliance documentation, visit the product page on TE.com>](#)

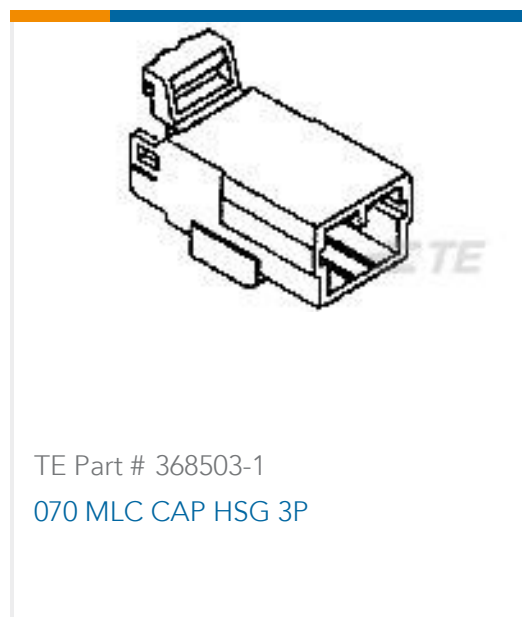
EU RoHS Directive 2011/65/EU	Compliant
EU ELV Directive 2000/53/EC	Compliant
China RoHS 2 Directive MIIT Order No 32, 2016	No Restricted Materials Above Threshold
EU REACH Regulation (EC) No. 1907/2006	Current ECHA Candidate List: JAN 2022 (223) Candidate List Declared Against: JAN 2022 (223) Does not contain REACH SVHC
Halogen Content	Low Halogen - Br, Cl, F, I < 900 ppm per homogenous material. Also BFR/CFR/PVC Free
Solder Process Capability	Not applicable for solder process capability

Product Compliance Disclaimer

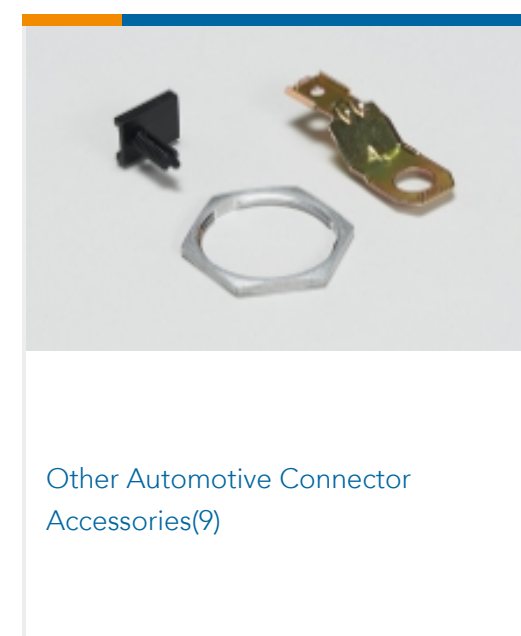
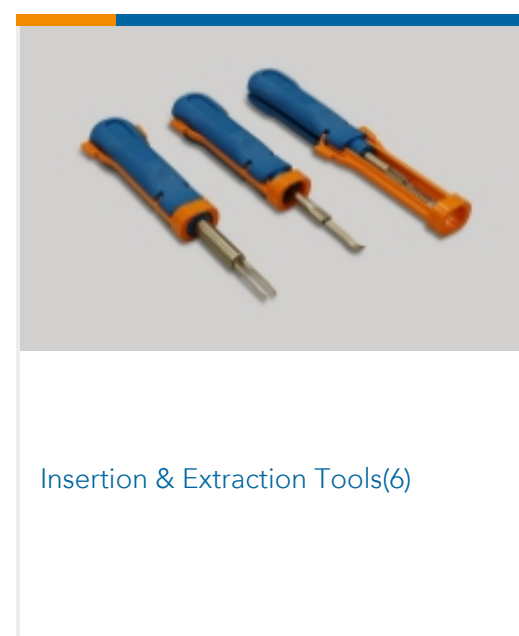
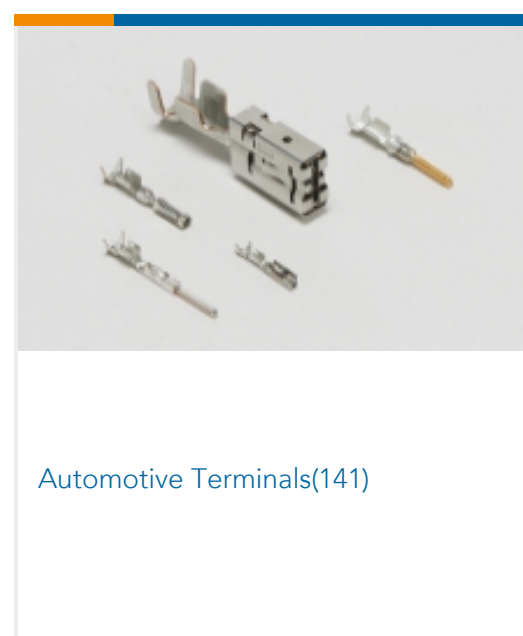
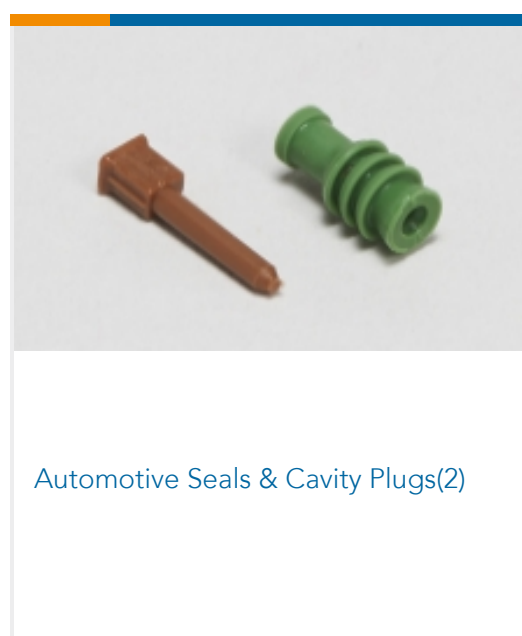
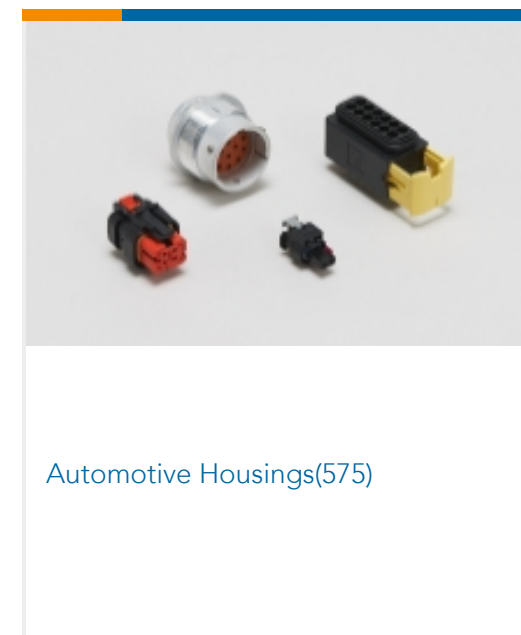
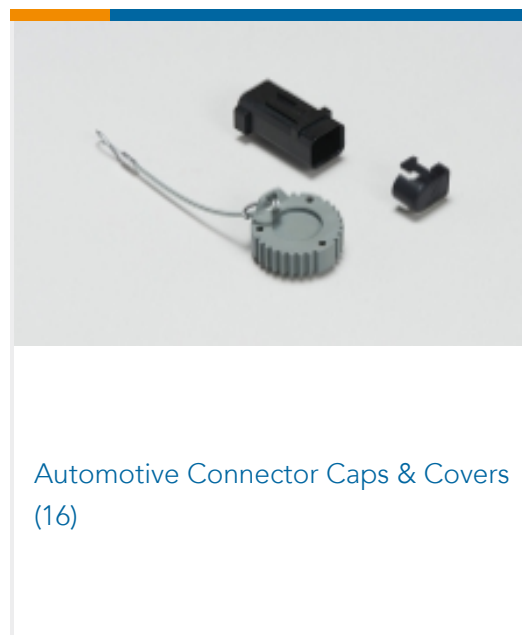
This information is provided based on reasonable inquiry of our suppliers and represents our current actual knowledge based on the information they provided. This information is subject to change. The part numbers that TE has identified as EU RoHS compliant have a maximum concentration of 0.1% by weight in homogenous materials for lead, hexavalent chromium, mercury, PBB, PBDE, DBP, BBP, DEHP, DIBP, and 0.01% for cadmium, or qualify for an exemption to these

limits as defined in the Annexes of Directive 2011/65/EU (RoHS2). Finished electrical and electronic equipment products will be CE marked as required by Directive 2011/65/EU. Components may not be CE marked. Additionally, the part numbers that TE has identified as EU ELV compliant have a maximum concentration of 0.1% by weight in homogenous materials for lead, hexavalent chromium, and mercury, and 0.01% for cadmium, or qualify for an exemption to these limits as defined in the Annexes of Directive 2000/53/EC (ELV). Regarding the REACH Regulation, the information TE provides on SVHC in articles for this part number is based on the latest European Chemicals Agency (ECHA) 'Guidance on requirements for substances in articles' posted at this URL: <https://echa.europa.eu/guidance-documents/guidance-on-reach>

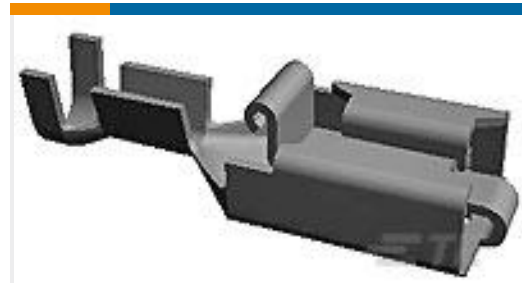
Compatible Parts



Also in the Series | Multilock Connector System



Customers Also Bought



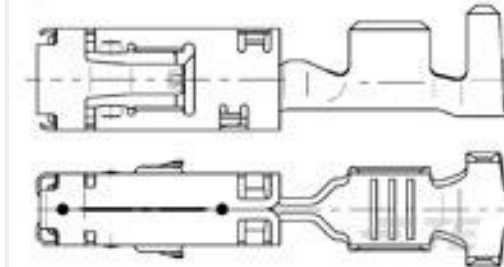
TE Part #927854-6
PL 250 REC TERMINAL 17-13 AWG
PTPB



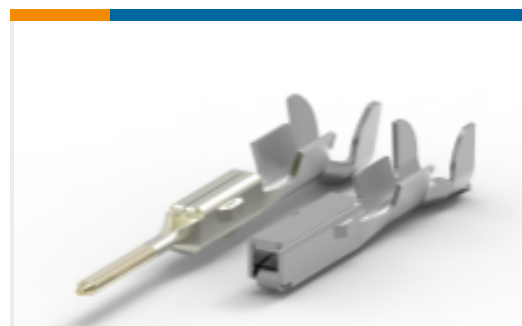
TE Part #927829-2
SPT REC 6.3 Contact SRC Sn



TE Part #1393365-2
GET .64 CONNECTOR SYSTEM,
RECEPT AND TAB



TE Part #967542-2
SENS FLA-KONT 2,8



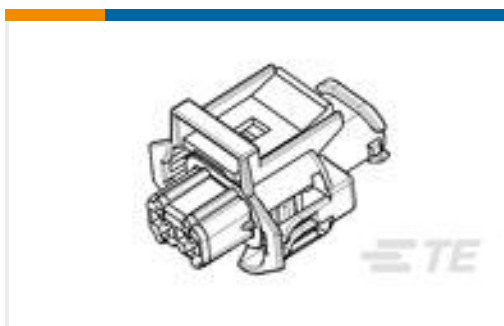
TE Part #368086-1
MULTILOCK, RECEPTACLE AND TAB



TE Part #2005155-1
070 12P PLUG HSG



TE Part #2005372-3
MT-II SLD 6P PLUG ASSY GRAY



TE Part #2-936060-1
2.8MM SLD 3P PLUG ASSY

Documents

Product Drawings

070 MLC PLUG HSG 3P

English

CAD Files

Customer View Model

[ENG_CVM_CVM_368500-1_A.2d_dxf.zip](#)

English

3D PDF

3D

Customer View Model

[ENG_CVM_CVM_368500-1_A.3d_igs.zip](#)

English

Customer View Model

[ENG_CVM_CVM_368500-1_A.3d_stp.zip](#)

English

By downloading the CAD file I accept and agree to the [Terms and Conditions](#) of use.

Datasheets & Catalog Pages

MULTILOCK Connector System

English

Product Specifications

070 MLC Series

English

368500-1

Wire-to-Wire, 3 Position, .138 in [3.5 mm] Centerline, Natural, Signal, Cable Mount (Free-Hanging), Multilock Connector System

