

173631-6 ✓ ACTIVE

AMP | Multilock Connector System

TE Internal #: 173631-6

Automotive Terminals, Receptacle, Mating Tab Width 1.8 mm [.071 in], Tab Thickness .025 in [.64 mm], 20 – 16 AWG Wire Size, Multilock Connector System

[View on TE.com >](#)



Terminals & Splices > Automotive Terminals > MULTILOCK, RECEPTACLE AND TAB



Terminal Type: **Receptacle**

Mating Tab Width: **1.8 mm [.071 in]**

Mating Tab Thickness: **.64 mm [.025 in]**

Terminal Transmits: **0 – 24 A (Low Power)**

Wire Size: **20 – 16 AWG**

[All MULTILOCK, RECEPTACLE AND TAB \(143\)](#)

## Features

### Product Type Features

Receptacle Style	180°
Sealable	No
Primary Locking Feature	Clean Body

### Contact Features

Typical Current Rating	10 A
Crimp Type	F-Crimp
Terminal Type	Receptacle
Mating Tab Width	1.8 mm [.071 in]
Mating Tab Thickness	.64 mm [.025 in]
Interface Plating	Tin (Sn)
Contact Termination Area Plating Material	Tin (Sn)

### Termination Features

Termination Method to Wire & Cable	Crimp
Product Terminates To	Wire

### Dimensions

Wire Size	.5 – 1.25 mm <sup>2</sup>
-----------	---------------------------



Wire Size Search	16 AWG, 17 AWG, 18 AWG, 19 AWG, 20 AWG
------------------	--

Wire Insulation Diameter	2 – 2.6 mm [.079 – .102 in]
--------------------------	-----------------------------

### Usage Conditions

Insulation Option	Uninsulated
-------------------	-------------

Operating Temperature (Max)	80 °C, 85 °C, 90 °C, 100 °C, 105 °C [176 °F][185 °F][194 °F][212 °F][221 °F]
-----------------------------	--

Operating Temperature Range	-30 – 105 °C [-22 – 221 °F]
-----------------------------	-----------------------------

### Operation/Application

Compatible With Wire Base Material	Copper
------------------------------------	--------

### Packaging Features

Packaging Method	Reel
------------------	------

Packaging Quantity	4000
--------------------	------

### Other

Terminal Transmits	0 – 24 A (Low Power)
--------------------	----------------------

## Product Compliance

[For compliance documentation, visit the product page on TE.com>](#)

EU RoHS Directive 2011/65/EU	Compliant
------------------------------	-----------

EU ELV Directive 2000/53/EC	Compliant
-----------------------------	-----------

China RoHS 2 Directive MIIT Order No 32, 2016	No Restricted Materials Above Threshold
---	---

EU REACH Regulation (EC) No. 1907/2006	Current ECHA Candidate List: JAN 2022 (223) Candidate List Declared Against: JAN 2022 (223) Does not contain REACH SVHC
--	---

Halogen Content	Low Halogen - Br, Cl, F, I < 900 ppm per homogenous material. Also BFR/CFR/PVC Free
-----------------	---

Solder Process Capability	Not applicable for solder process capability
---------------------------	--

#### Product Compliance Disclaimer

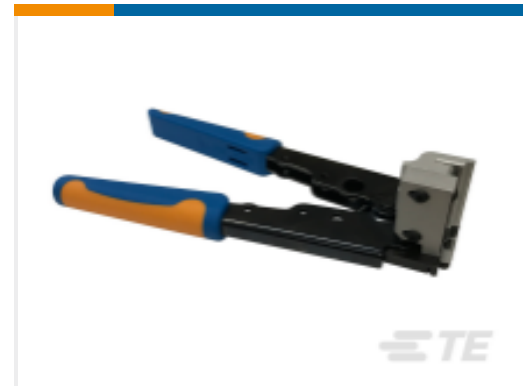
This information is provided based on reasonable inquiry of our suppliers and represents our current actual knowledge based on the information they provided. This information is subject to change. The part numbers that TE has identified as EU RoHS compliant have a maximum concentration of 0.1% by weight in homogenous materials for lead, hexavalent chromium, mercury, PBB, PBDE, DBP, BBP, DEHP, DIBP, and 0.01% for cadmium, or qualify for an exemption to these limits as defined in the Annexes of Directive 2011/65/EU (RoHS2). Finished electrical and electronic equipment products will be CE marked as required by Directive 2011/65/EU. Components may not be CE marked. Additionally, the part numbers that TE has identified as EU ELV compliant have a maximum concentration of 0.1% by weight in homogenous

materials for lead, hexavalent chromium, and mercury, and 0.01% for cadmium, or qualify for an exemption to these limits as defined in the Annexes of Directive 2000/53/EC (ELV). Regarding the REACH Regulation, the information TE provides on SVHC in articles for this part number is based on the latest European Chemicals Agency (ECHA) 'Guidance on requirements for substances in articles' posted at this URL: <https://echa.europa.eu/guidance-documents/guidance-on-reach>

## Compatible Parts



TE Part # CAT-M9194-CH8172  
MULTILOCK, CONNECTOR HOUSING



TE Part # 2305570-1  
TERMINAL CUTTER, SIDE FEED



TE Part # 776308-1  
CAP HOUSING 4 POSITION



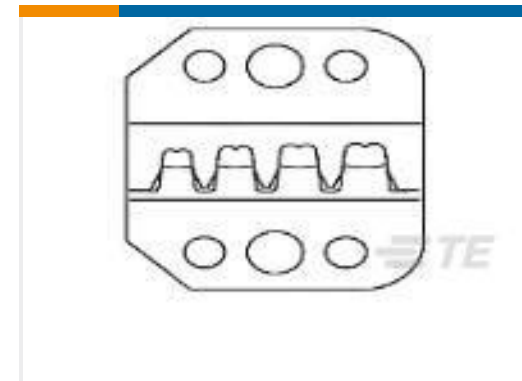
TE Part # 91573-1  
CCII 070 SERIES REC TAB 20-16 ASSY



TE Part # 755430-2  
EXT, TOOL ASSY



TE Part # 348793-4  
SHORTING CONN RECPT HSG. (BRIG



TE Part # 58521-2  
PRO-CRIMPER DIE



TE Part # 2-2151168-1  
OCEAN\_2.0\_Applicator-S-090F102F



TE Part # 2-2151168-2  
OCEAN\_2.0\_Applicator-S-090F102F



TE Part # 2151168-1  
OCEAN\_2.0\_Applicator-S-090F102F



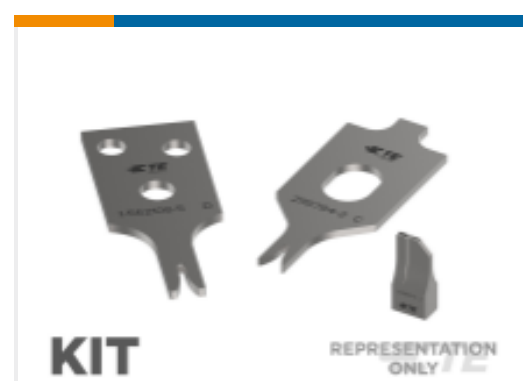
TE Part # 2151168-2  
OCEAN\_2.0\_Applicator-S-090F102F



TE Part # 7-2151168-1  
OCEAN\_2.0\_Applicator-S-090F102F



TE Part # 7-2151168-2  
OCEAN\_2.0\_Applicator-S-090F102F



TE Part # 7-2151168-7  
OCEAN\_2.0\_SPARE\_PART\_KIT-090F102F

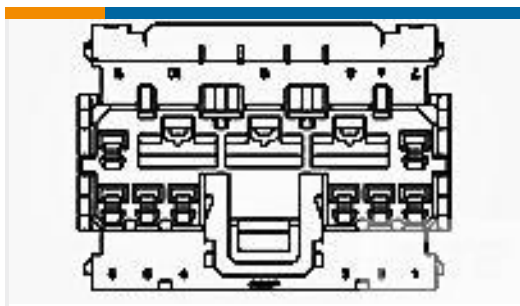


TE Part # 5-2151168-1  
OCEAN\_2.0\_Applicator-S-090F102F

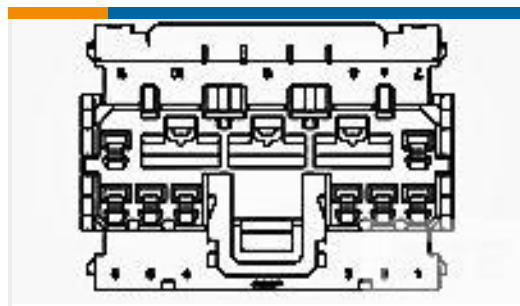


TE Part # 5-2151168-2  
OCEAN\_2.0\_Applicator-S-090F102F

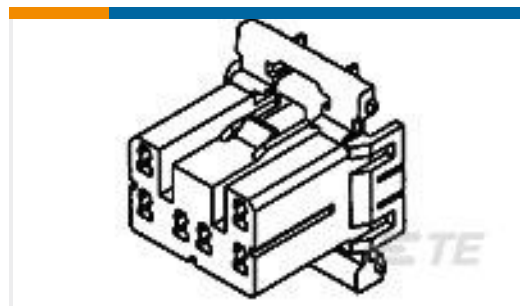




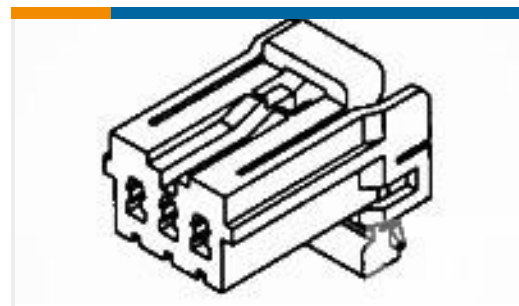
TE Part # 174926-5  
070 MLC W-W PLUG HSG 13P BLUE



TE Part # 174927-4  
070 MLC W-W PLUG HSG 15P GREEN



TE Part # 173852-5  
070 MULTILOCK PLUG 14P BLUE



TE Part # 174923-5  
070 MLC W-W PLUG HSG 6P BLUE

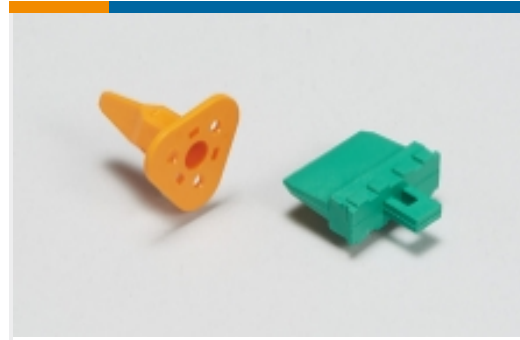
## Also in the Series | Multilock Connector System



Automotive Connector Caps & Covers (16)



Automotive Connector EMC Shielding (1)



Automotive Connector Locks & Position Assurance(2)



Automotive Housings(575)



Automotive Seals & Cavity Plugs(2)



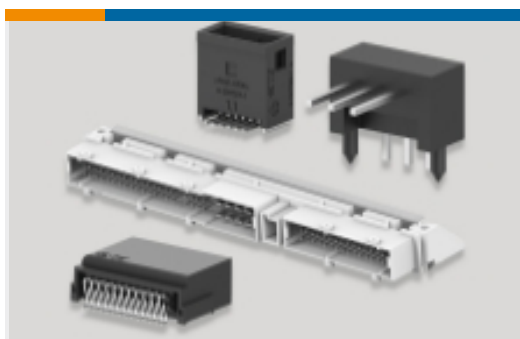
Automotive Terminals(141)



Insertion & Extraction Tools(6)



Other Automotive Connector Accessories(9)

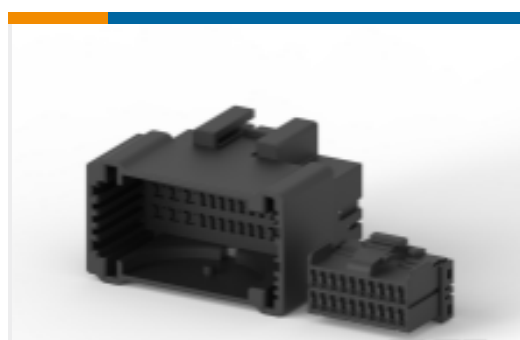


PCB Headers & Receptacles(129)

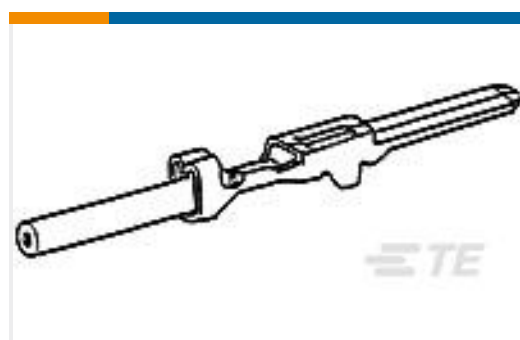
## Customers Also Bought



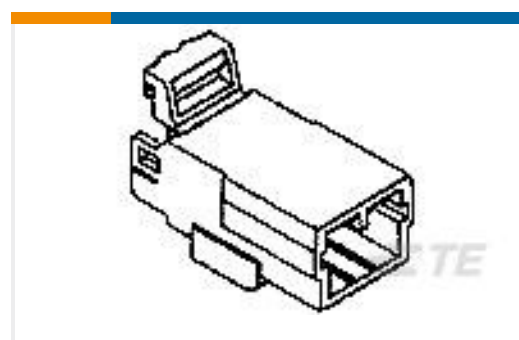
TE Part #1-770876-1  
09P MINI UMNL HDR ASSY AU LF



TE Part #1-174937-1  
MULTILOCK, CONNECTOR HOUSING



TE Part #173633-2  
070 MLC TAB CONT 24-22



TE Part #1-174928-1  
070 MLC W-W CAP HSG 3P F/A



## Documents

### Product Drawings

#### 070 MLC REC CONT 20-16

Japanese

### CAD Files

#### 3D PDF

3D

#### Customer View Model

[ENG\\_CVM\\_CVM\\_173631-6\\_R.2d\\_dxf.zip](#)

English

#### Customer View Model

[ENG\\_CVM\\_CVM\\_173631-6\\_R.3d\\_igs.zip](#)

English

#### Customer View Model

[ENG\\_CVM\\_CVM\\_173631-6\\_R.3d\\_stp.zip](#)

English

By downloading the CAD file I accept and agree to the [Terms and Conditions](#) of use.

### Datasheets & Catalog Pages

#### MULTILOCK Connector System

English

### Product Specifications

#### Application Specification

English

#### .070 Series Receptacle Contact

English

### Product Environmental Compliance

#### MD\_173631-6\_12082015630\_dmtec

English

#### MD\_173631-6\_12082015630\_dmtec

English

### Instruction Sheets

#### HYBRID I/O CONNECTOR

English

#### Customer Manual (non U.S.)

English

#### HYBRID I/O CONNECTOR

English

#### Customer Manual (non U.S.)

English

#### Customer Manual (non U.S.)



English

**070 MULTI-LOCK CONNECTOR**

English