

175265-1 ✓ ACTIVE

AMP | Multilock Connector System

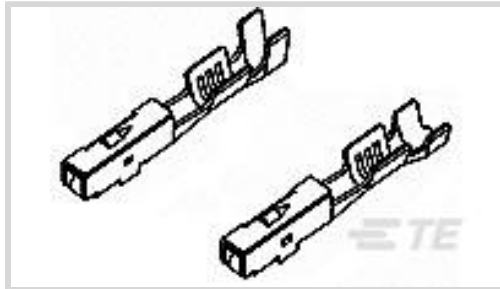
TE Internal #: 175265-1

Automotive Terminals, Receptacle, Mating Tab Width 1 mm [.039 in], Tab Thickness .025 in [.64 mm], 22 – 18 AWG Wire Size, Multilock Connector System

[View on TE.com >](#)



Terminals & Splices > Automotive Terminals > MULTILOCK, RECEPTACLE AND TAB



Terminal Type: **Receptacle**

Mating Tab Width: 1 mm [.039 in]

Mating Tab Thickness: .64 mm [.025 in]

Terminal Transmits: 0 – 24 A (Low Power)

Wire Size: 22 – 18 AWG

[All MULTILOCK, RECEPTACLE AND TAB \(143\)](#)

## Features

### Product Type Features

Receptacle Style	180°
Sealable	No
Primary Locking Feature	Clean Body

### Contact Features

Crimp Type	F-Crimp
Terminal Type	Receptacle
Mating Tab Width	1 mm [.039 in]
Mating Tab Thickness	.64 mm [.025 in]
Interface Plating	Tin (Sn)
Contact Termination Area Plating Material	Tin (Sn)

### Termination Features

Termination Method to Wire & Cable	Crimp
Product Terminates To	Wire

### Dimensions

Wire Size	.3 – .85 mm <sup>2</sup>
Wire Size Search	18 AWG, 19 AWG, 20 AWG, 21 AWG, 22 AWG



Wire Insulation Diameter	1.1 – 2.1 mm [.043 – .083 in]
--------------------------	-------------------------------

### Usage Conditions

Insulation Option	Uninsulated
Operating Temperature (Max)	80 °C, 85 °C, 90 °C, 100 °C, 105 °C [176 °F][185 °F][194 °F][212 °F][221 °F]
Operating Temperature Range	-30 – 105 °C [-22 – 221 °F]

### Packaging Features

Packaging Method	Reel
Packaging Quantity	5000

### Other

Terminal Transmits	0 – 24 A (Low Power)
--------------------	----------------------

## Product Compliance

[For compliance documentation, visit the product page on TE.com>](#)

EU RoHS Directive 2011/65/EU	Compliant
EU ELV Directive 2000/53/EC	Compliant
China RoHS 2 Directive MIIT Order No 32, 2016	No Restricted Materials Above Threshold
EU REACH Regulation (EC) No. 1907/2006	Current ECHA Candidate List: JAN 2022 (223) Candidate List Declared Against: JAN 2022 (223) Does not contain REACH SVHC
Halogen Content	Low Halogen - Br, Cl, F, I < 900 ppm per homogenous material. Also BFR/CFR/PVC Free
Solder Process Capability	Not applicable for solder process capability

#### Product Compliance Disclaimer

This information is provided based on reasonable inquiry of our suppliers and represents our current actual knowledge based on the information they provided. This information is subject to change. The part numbers that TE has identified as EU RoHS compliant have a maximum concentration of 0.1% by weight in homogenous materials for lead, hexavalent chromium, mercury, PBB, PBDE, DBP, BBP, DEHP, DIBP, and 0.01% for cadmium, or qualify for an exemption to these limits as defined in the Annexes of Directive 2011/65/EU (RoHS2). Finished electrical and electronic equipment products will be CE marked as required by Directive 2011/65/EU. Components may not be CE marked. Additionally, the part numbers that TE has identified as EU ELV compliant have a maximum concentration of 0.1% by weight in homogenous materials for lead, hexavalent chromium, and mercury, and 0.01% for cadmium, or qualify for an exemption to these limits as defined in the Annexes of Directive 2000/53/EC (ELV). Regarding the REACH Regulation, the information TE provides on SVHC in articles for this part number is based on the latest European Chemicals Agency (ECHA) 'Guidance on requirements for substances in articles' posted at this URL: <https://echa.europa.eu/guidance-documents/guidance-on-reach>



## Compatible Parts




TE Part # 2305570-1  
TERMINAL CUTTER, SIDE FEED



TE Part # CAT-HPCH5372  
HIGH PIN COUNT HEADER



TE Part # CAT-M9194-CH8172  
MULTILOCK, CONNECTOR HOUSING



TE Part # 91588-1  
CCII 040 II SERIES S REC TAB 22-18 ASSY



TE Part # 715131-1  
EXTRACTION TOOL



TE Part # 1438759-2  
22Way Hybrid 040/2.8 Plug Assy Key "C"



TE Part # 2-2151169-1  
OCEAN\_2.0\_APPLICATOR-S-070F070F



TE Part # 2-2151169-2  
OCEAN\_2.0\_APPLICATOR-S-070F070FA



TE Part # 2151169-1  
OCEAN\_2.0\_APPLICATOR-S-070F070F



TE Part # 2151169-2  
OCEAN\_2.0\_APPLICATOR-S-070F070FA



TE Part # 7-2151169-1  
OCEAN\_2.0\_APPLICATOR-S-070F070F



TE Part # 7-2151169-2  
OCEAN\_2.0\_APPLICATOR-S-070F070FA

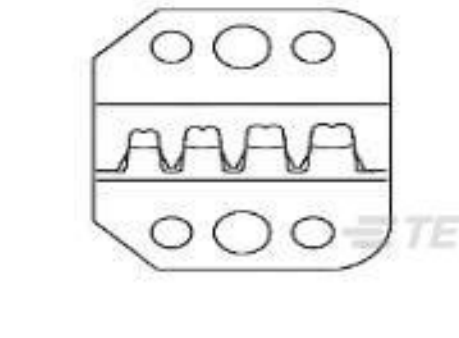


**KIT**  
REPRESENTATION ONLY

TE Part # 7-2151169-7  
OCEAN\_2.0\_SPARE\_PART\_KIT-070F070F



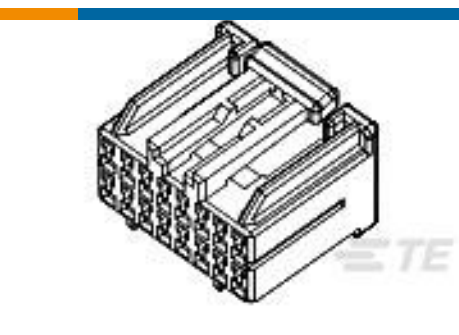
TE Part # 90652-1  
PRO-CRIMPER ASSY MULTILOCK



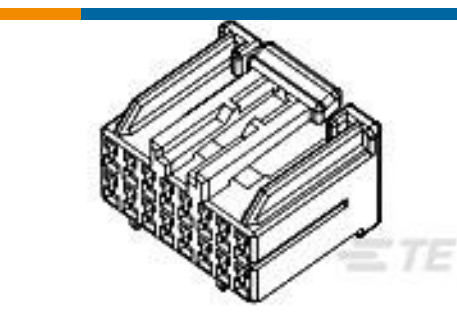
TE Part # 90652-2  
PROCRIMPER DIE ASSY MULTILOCK



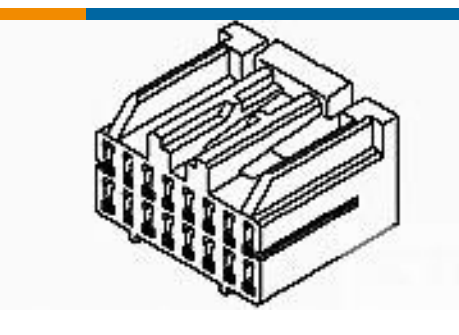
TE Part # 9-638973-2  
ASSY, 8POSN CAP .040MULT/CPA



TE Part # 917992-6  
HYBRID MK-2 PLUG HSG ASSY 26P



TE Part # 917981-6  
HYBRID MK-2 PLUG HSG ASSY 16P



TE Part # 353217-4  
HD HYBRID I/O PLUG ASSY 30P



TE Part # 177698-1  
IMPUL MATE PLUG HSG ASSY 48P

## Also in the Series | Multilock Connector System



Automotive Connector Caps & Covers (16)



Automotive Connector EMC Shielding (1)



Automotive Connector Locks & Position Assurance(2)



Automotive Housings(575)



Automotive Seals & Cavity Plugs(2)



Automotive Terminals(141)



Insertion & Extraction Tools(6)



Other Automotive Connector Accessories(9)



PCB Headers & Receptacles(129)

## Customers Also Bought



TE Part #316371-1  
MULTILOCK, CONNECTOR HOUSING



TE Part #1674928-1  
0.64 III/1.0 III 35POS PLUG ASSY (B)



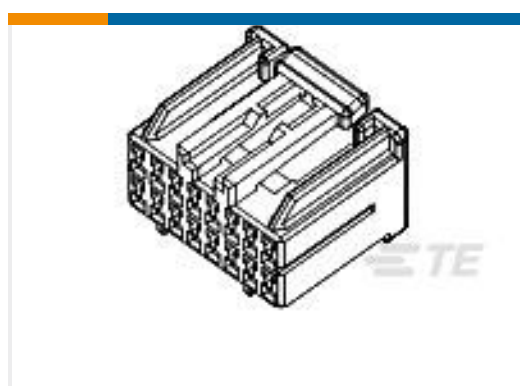
TE Part #179631-2  
DIAGNOSTIC PLUG HSG 16P BLACK



TE Part #1612124-3  
1DIA SOCKET AU



TE Part #1564880-1  
GET 0.64,FEMALE TERMINAL 0.13M



TE Part #917992-6  
HYBRID MK-2 PLUG HSG ASSY 26P



TE Part #1438761-6  
22WAY HYBRID .040/2.8 PLUG ASSY KEY'A'



TE Part #2298002-1  
SECONDARY LOCK, MQS/MCON1.2, DTB 50P



## Documents

### Product Drawings

#### 040 REC (S) FOR NSCC

English

### CAD Files

#### Customer View Model

##### ENG\_CVM\_175265-1\_E.3d\_igs.zip

English

#### Customer View Model

##### ENG\_CVM\_175265-1\_E.3d\_stp.zip

English

#### Customer View Model

##### ENG\_CVM\_175265-1\_E.2d\_dxf.zip

English

### 3D PDF

English

By downloading the CAD file I accept and agree to the [Terms and Conditions](#) of use.

### Datasheets & Catalog Pages

#### MULTILOCK Connector System

English

### Product Specifications

#### Application Specification

English

#### Crimping .040II Series Tab and Rec. Contact

English

### Product Environmental Compliance

#### Product Compliance

English

#### Product Compliance

English

### Instruction Sheets

#### Instruction Sheet (U.S.)



English