

1743797-1 ✓ ACTIVE

AMP | AMP MCP Connector System

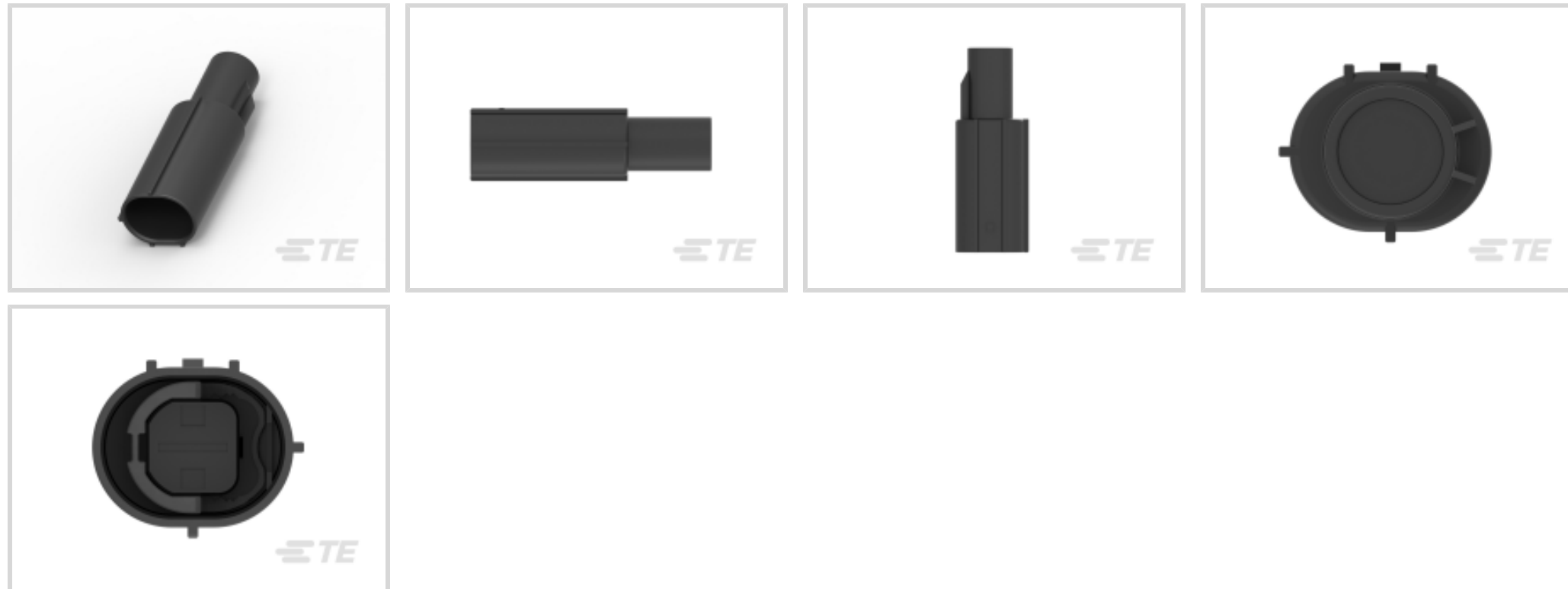
TE Internal #: 1743797-1

Housing for Male Terminals, Wire-to-Wire, 1 Position, Sealable, Black, Power, Cable Mount (Free-Hanging), -40 – 125 °C, AMP MCP Connector System

[View on TE.com >](#)



Connectors > Automotive Connectors > Connector Housings > LEAVYSEAL HOUSINGS



Connector & Housing Type: **Housing for Male Terminals**

Mating Tab Width: **9.5 mm [ .374 in ]**

Connector System: **Wire-to-Wire**

Number of Positions: **1**

Sealable: **Yes**

[All LEAVYSEAL HOUSINGS \(62\)](#)

## Features

### Product Type Features

Connector & Housing Shape	Rectangular
Connector & Housing Type	Housing for Male Terminals
Connector System	Wire-to-Wire
Sealable	Yes
Hybrid Connector	No
Primary Locking Feature	On the Terminal

### Configuration Features

Number of Positions	1
Number of Rows	1

### Body Features

Cable Exit Angle	Other
Body Material	PA GF



Primary Product Color	Black
-----------------------	-------

### Contact Features

Contact Size	9.5mm
--------------	-------

Contact Type	Tab
--------------	-----

Mating Tab Width	9.5 mm[.374 in]
------------------	-----------------

### Mechanical Attachment

Mounting Feature	Without
------------------	---------

Terminal Position Assurance	Yes
-----------------------------	-----

Mating Alignment Type	Polarizing Rib
-----------------------	----------------

Mating Alignment	With
------------------	------

Connector Mounting Type	Cable Mount (Free-Hanging)
-------------------------	----------------------------

### Dimensions

Product Width	84.9 mm[3.343 in]
---------------	-------------------

Product Length	30.5 mm[1.201 in]
----------------	-------------------

Product Height	25.8 mm[1.016 in]
----------------	-------------------

### Usage Conditions

Operating Temperature Range	-40 – 125 °C
-----------------------------	--------------

### Operation/Application

Circuit Application	Power
---------------------	-------

### Industry Standards

UL Flammability Rating	UL 94HB
------------------------	---------

### Packaging Features

Packaging Quantity	280
--------------------	-----

Packaging Method	Box
------------------	-----

### Other

Serviceable	Yes
-------------	-----

Connector Position Assurance Capable	No
--------------------------------------	----

### Product Compliance

[For compliance documentation, visit the product page on TE.com>](#)

EU RoHS Directive 2011/65/EU	Compliant
------------------------------	-----------

EU ELV Directive 2000/53/EC	Compliant
-----------------------------	-----------



China RoHS 2 Directive MIIT Order No 32, 2016	No Restricted Materials Above Threshold
EU REACH Regulation (EC) No. 1907/2006	Current ECHA Candidate List: JAN 2022 (223) Candidate List Declared Against: JAN 2022 (223) Does not contain REACH SVHC
Halogen Content	BFR/CFR/PVC Free, but Br/Cl >900 ppm in other sources.
Solder Process Capability	Not applicable for solder process capability

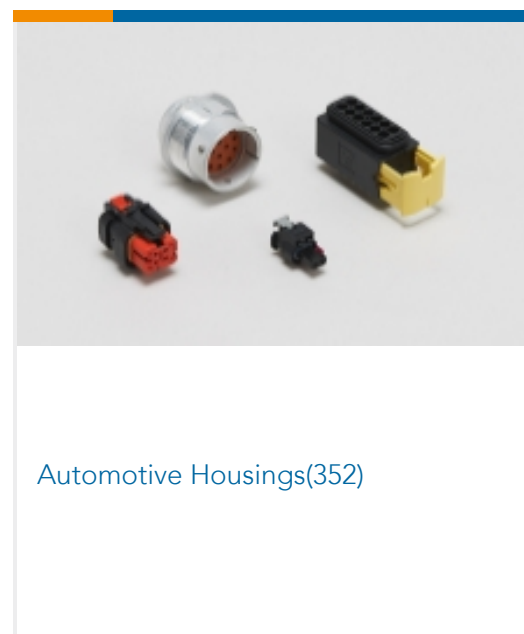
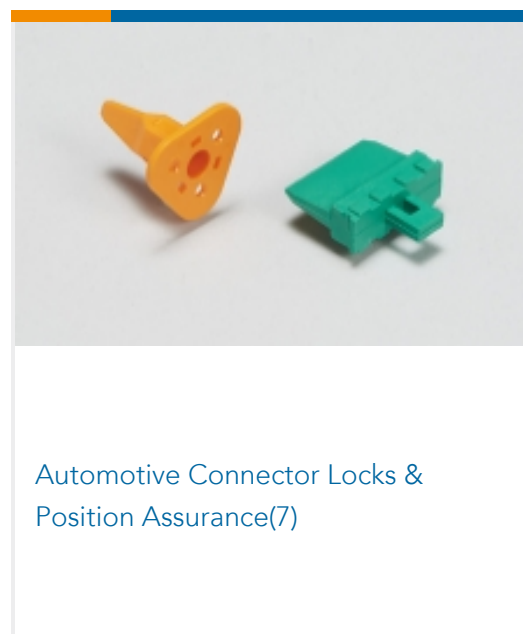
Product Compliance Disclaimer

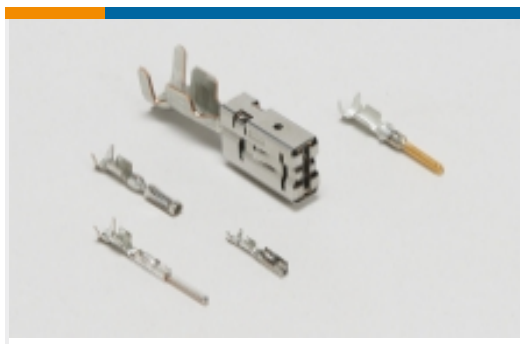
This information is provided based on reasonable inquiry of our suppliers and represents our current actual knowledge based on the information they provided. This information is subject to change. The part numbers that TE has identified as EU RoHS compliant have a maximum concentration of 0.1% by weight in homogenous materials for lead, hexavalent chromium, mercury, PBB, PBDE, DBP, BBP, DEHP, DIBP, and 0.01% for cadmium, or qualify for an exemption to these limits as defined in the Annexes of Directive 2011/65/EU (RoHS2). Finished electrical and electronic equipment products will be CE marked as required by Directive 2011/65/EU. Components may not be CE marked. Additionally, the part numbers that TE has identified as EU ELV compliant have a maximum concentration of 0.1% by weight in homogenous materials for lead, hexavalent chromium, and mercury, and 0.01% for cadmium, or qualify for an exemption to these limits as defined in the Annexes of Directive 2000/53/EC (ELV). Regarding the REACH Regulation, the information TE provides on SVHC in articles for this part number is based on the latest European Chemicals Agency (ECHA) 'Guidance on requirements for substances in articles' posted at this URL: <https://echa.europa.eu/guidance-documents/guidance-on-reach>

### Compatible Parts



### Also in the Series | AMP MCP Connector System





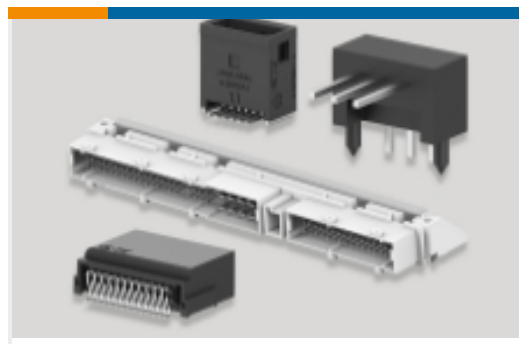
Automotive Terminals(125)



Insertion & Extraction Tools(13)



Other Automotive Connector Accessories(2)



PCB Headers & Receptacles(29)

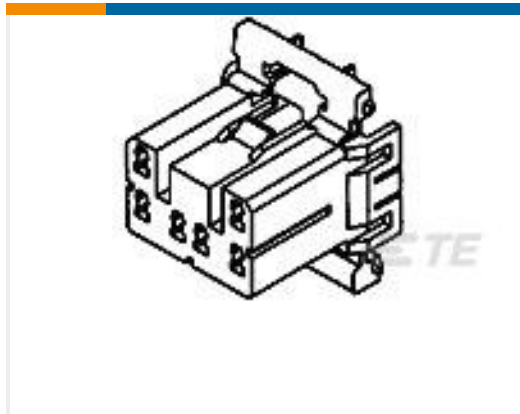
## Customers Also Bought



TE Part #925076-3  
4W CIRCULAR MATE-N-LOK SOCKET  
HSG BLK



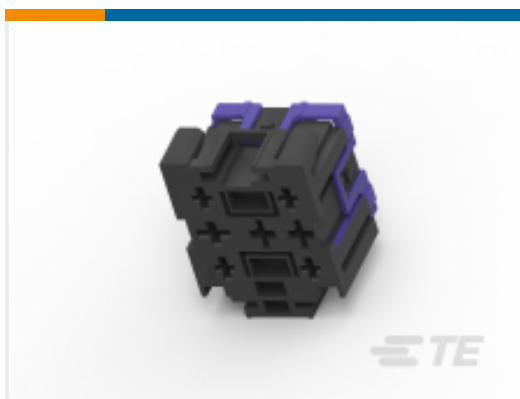
TE Part #160786-2  
FF 250 TAB 0.5-1.5MM2 TPPB



TE Part #282366-1  
070 MULTILOCK PLUG HSG. 8 POS



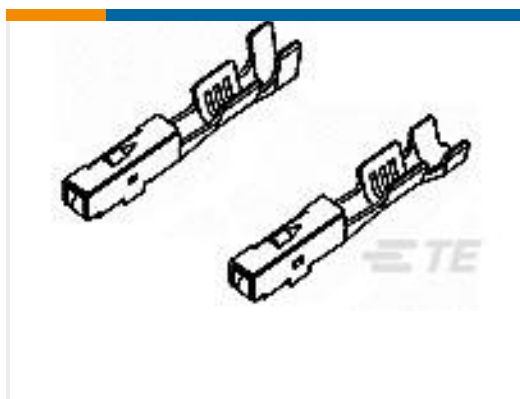
TE Part #962934-1  
TIMER, RECEPTACLE AND TAB



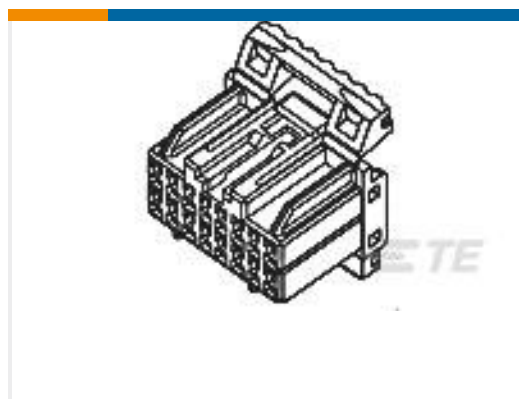
TE Part #1-444314-1  
HSG ASSY 9P COMBINED



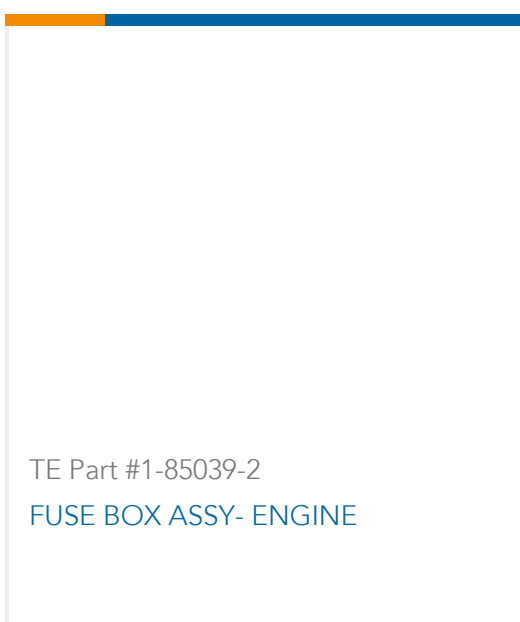
TE Part #2822353-1  
250 TYPE RUBBER PLUG



TE Part #179966-1  
070 REC CONTACT "M"



TE Part #174913-1  
HYBRID PLUG HSG 12P NATURAL



TE Part #1-85039-2  
FUSE BOX ASSY- ENGINE

## Documents

### Product Drawings

[MCP 9.5MM 1P CAP ASSY](#)

English

### CAD Files

[Customer View Model](#)

[ENG\\_CVM\\_CVM\\_1743797-1\\_A.2d\\_dxf.zip](#)

English

[3D PDF](#)



3D

Customer View Model

[ENG\\_CVM\\_CVM\\_1743797-1\\_A.3d\\_igs.zip](#)

English

Customer View Model

[ENG\\_CVM\\_CVM\\_1743797-1\\_A.3d\\_stp.zip](#)

English

By downloading the CAD file I accept and agree to the [Terms and Conditions](#) of use.

---

## Product Specifications

[Product Specification](#)

English

---

## Instruction Sheets

[Instruction Sheet \(non U.S.\)](#)

English