

62157-2 ✓ ACTIVE

AMPLIVAR

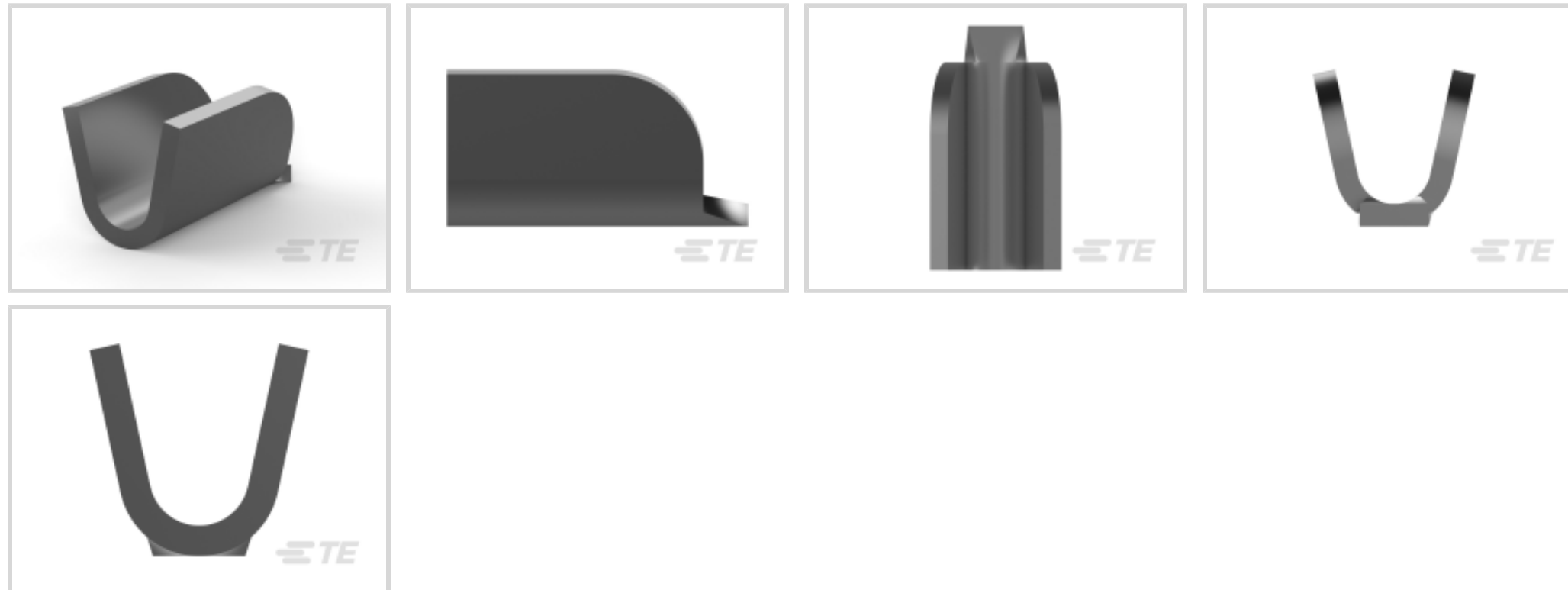
TE Internal #: 62157-2

Splices, 22 – 15 AWG Wire Size, .3 – 1.5 mm² Wire Size, Splice Capacity 3, 600 – 3000 CMA Wire Size, Brass, Pigtail Splice Splice, Serrated, AMPLIVAR

[View on TE.com >](#)



Terminals & Splices > Splices



Wire Size: 600 – 3000 CMA

Sealable: No

Splice Capacity: 3

Features

Product Type Features

Sealable	No
Splice Type	Pigtail Splice
Serrated	Yes
Compatible With Discrete Wire Type	Magnet Wire, Solid

Configuration Features

Strip Orientation	End Feed
Splice Capacity	3
Number of Serrations	7

Electrical Characteristics

Operating Voltage	250 V
-------------------	-------

Body Features

Weight per Piece	.16 g
Plating Material	Tin
Primary Product Material	Brass

Contact Features



Contact Plating Material	Tin
--------------------------	-----

Barrel Type	Open
-------------	------

Termination Features

Crimp Width	2.79 mm[.11 in]
-------------	-----------------

Mechanical Attachment

Wire Insulation Support	Without
-------------------------	---------

Dimensions

Wire Size	600 – 3000 CMA
-----------	----------------

Terminal Material Thickness	.51 mm[.02 in]
-----------------------------	----------------

Overall Product Length	5.72 mm[.225 in]
------------------------	------------------

Usage Conditions

Insulation Option	Uninsulated
-------------------	-------------

Operating Temperature Range	-65 – 150 °C[-85 – 302 °F]
-----------------------------	----------------------------

Operation/Application

Heavy Duty	No
------------	----

Compatible With Wire Base Material	Aluminum, Copper
------------------------------------	------------------

Industry Standards

Government Qualified Splice	No
-----------------------------	----

Packaging Features

Packaging Quantity	20000
--------------------	-------

Packaging Method	Strip
------------------	-------

Other

Comment	Splice recommended for applications using wire size 26 AWG or smaller.
---------	------------------------------------------------------------------------

Product Compliance

[For compliance documentation, visit the product page on TE.com>](#)

EU RoHS Directive 2011/65/EU	Compliant
------------------------------	-----------

EU ELV Directive 2000/53/EC	Compliant
-----------------------------	-----------

China RoHS 2 Directive MIIT Order No 32, 2016	No Restricted Materials Above Threshold
-----------------------------------------------	-----------------------------------------

EU REACH Regulation (EC) No. 1907/2006	Current ECHA Candidate List: JAN 2022 (223)
----------------------------------------	------------------------------------------------

Candidate List Declared Against: JAN 2022
(223)

Does not contain REACH SVHC

Halogen Content

Low Halogen - Br, Cl, F, I < 900 ppm per
homogenous material. Also BFR/CFR/PVC
Free

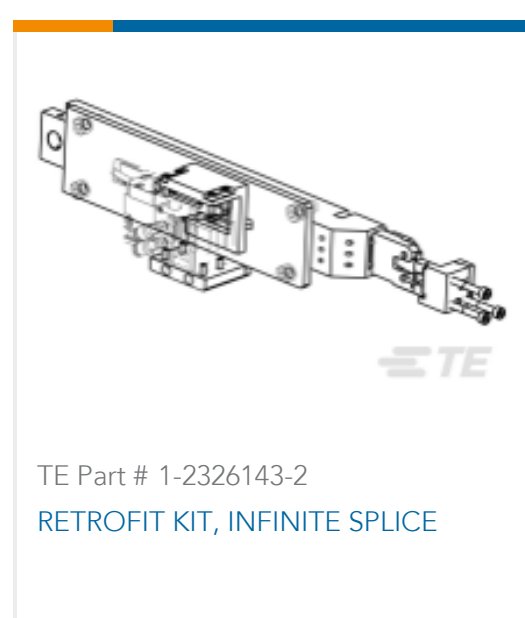
Solder Process Capability

Not applicable for solder process capability

Product Compliance Disclaimer

This information is provided based on reasonable inquiry of our suppliers and represents our current actual knowledge based on the information they provided. This information is subject to change. The part numbers that TE has identified as EU RoHS compliant have a maximum concentration of 0.1% by weight in homogenous materials for lead, hexavalent chromium, mercury, PBB, PBDE, DBP, BBP, DEHP, DIBP, and 0.01% for cadmium, or qualify for an exemption to these limits as defined in the Annexes of Directive 2011/65/EU (RoHS2). Finished electrical and electronic equipment products will be CE marked as required by Directive 2011/65/EU. Components may not be CE marked. Additionally, the part numbers that TE has identified as EU ELV compliant have a maximum concentration of 0.1% by weight in homogenous materials for lead, hexavalent chromium, and mercury, and 0.01% for cadmium, or qualify for an exemption to these limits as defined in the Annexes of Directive 2000/53/EC (ELV). Regarding the REACH Regulation, the information TE provides on SVHC in articles for this part number is based on the latest European Chemicals Agency (ECHA) 'Guidance on requirements for substances in articles' posted at this URL: <https://echa.europa.eu/guidance-documents/guidance-on-reach>

Compatible Parts






TE Part # 170152-4
AMP SPLICE



TE Part # 2-2150065-2
OCEAN_2.0_Applicator-E-110F



TE Part # 2150065-2
OCEAN_2.0_Applicator-E-110F



TE Part # 42192-2
SPLC AMVAR 600-3000 020TPBR



TE Part # 7-2150065-2
OCEAN_2.0_Applicator-E-110F



KIT
REPRESENTATION ONLY

TE Part # 7-2150065-7
OCEAN_2.0_SPARE_PART_KIT-110F

TE Part # 1-2217600-2
APT-5A HF

TE Part # 1-2217700-2
APT 5E HF

Also in the Series | **AMPLIVAR**




Crimp Wire Pins, Tabs & Ferrules(5)




Magnet Wire Terminals(5)



PCB Terminals(1)



Quick Disconnects(42)



Ring Terminals & Spade Terminals(28)

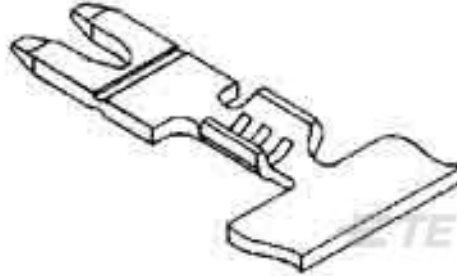


Splices(78)

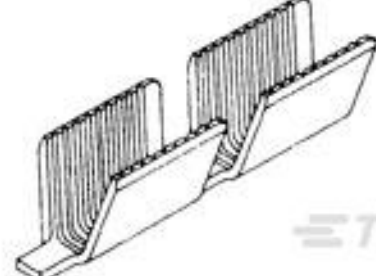
Customers Also Bought



TE Part #53894-2
HSG ASSY,PWR LK,SRS1,1 POS,BLK



TE Part #62897-1
MAG-MATE POKE-IN TAB 020 TPBR



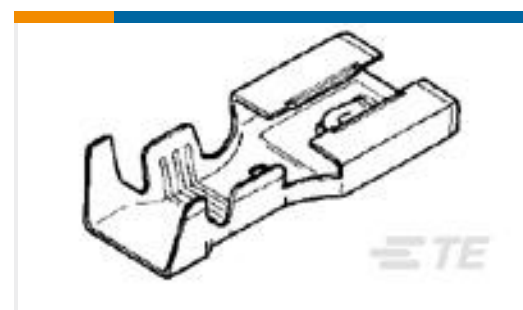
TE Part #62307-2
AMVAR SPLC 1500-5000 016TPBR



TE Part #1969803-1
03P UMNL PIN HDR ASSY NATL, PIN V0 GW



TE Part #2-456406-2
CRIMPER WIRE .090 F



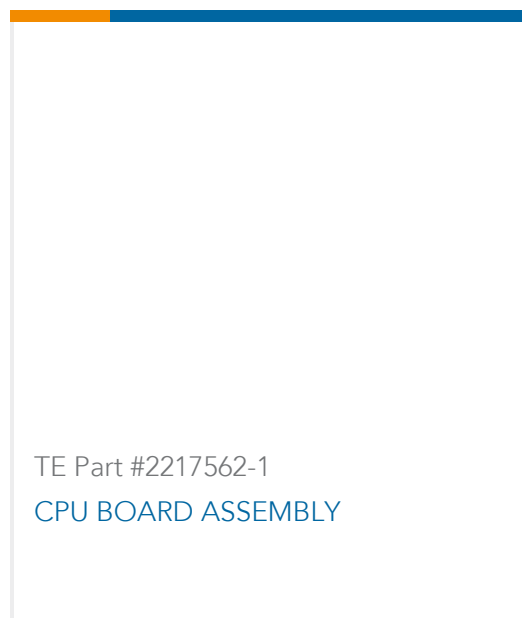
TE Part #1-1659252-0
H25905/R8000



TE Part #1-1659321-0
H30013/5000



TE Part #63499-2
MAG-MATE 250 F TAB 30-27 TPBR



TE Part #2217562-1
CPU BOARD ASSEMBLY

Documents

Product Drawings

[SPLICE AMVAR600TO3000 .020TPBR](#)

English

CAD Files

[3D PDF](#)

3D

Customer View Model

[ENG_CVM_CVM_62157-2_N_c-62157-2-n.2d_dxf.zip](#)

English

Customer View Model

[ENG_CVM_CVM_62157-2_N_c-62157-2-n.3d_igs.zip](#)

English

Customer View Model

[ENG_CVM_CVM_62157-2_N_c-62157-2-n.3d_stp.zip](#)

English

By downloading the CAD file I accept and agree to the [Terms and Conditions](#) of use.

Datasheets & Catalog Pages

[1654742_HOUSEHOLD_APPLIANCES_RAST5](#)

English

Magnet Wire Terminals & Splices

English

Product Specifications

[Application Specification](#)

English



[AMPLIVAR 7 Serration Pigtail Splice](#)

English

[Product Environmental Compliance](#)

[MD_62157-2_08102018444_dmtec](#)

English

[MD_62157-2_08102018444_dmtec](#)

English