

1376368-1 ✓ ACTIVE

AMP | TH/.025 Connector System

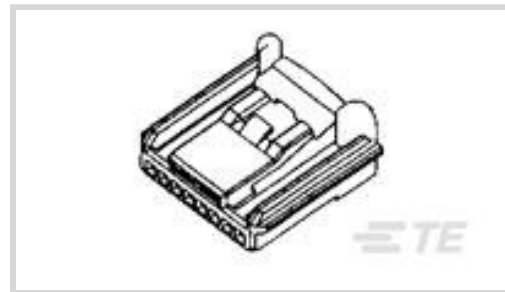
TE Internal #: 1376368-1

Housing for Female Terminals, Wire-to-Board / Wire-to-Device, 8 Position, .087 in [2.2 mm] Centerline, Natural, Signal, TH/.025 Connector System

[View on TE.com >](#)



Connectors > Automotive Connectors > Connector Housings > TH/.025 CONNECTOR SYSTEM, HOUSING



Connector & Housing Type: **Housing for Female Terminals**

Mating Tab Width: **.64 mm [.025 in]**

Connector System: **Wire-to-Board, Wire-to-Device**

Number of Positions: **8**

Centerline (Pitch): **2.2 mm [.087 in]**

[All TH/.025 CONNECTOR SYSTEM, HOUSING \(202\)](#)

Features

Product Type Features

| | |
|---------------------------|-------------------------------|
| Connector & Housing Shape | Rectangular |
| Connector & Housing Type | Housing for Female Terminals |
| Connector System | Wire-to-Board, Wire-to-Device |
| Sealable | No |
| Hybrid Connector | No |
| Primary Locking Feature | On the Terminal |

Configuration Features

| | |
|---------------------|---|
| Number of Positions | 8 |
| Number of Rows | 1 |

Electrical Characteristics

| | |
|------------------------------|--------|
| Operating Voltage | 12 VDC |
| Nominal Voltage Architecture | 12 V |

Body Features

| | |
|-----------------------|---------|
| Cable Exit Angle | 180° |
| Body Material | PBT |
| Primary Product Color | Natural |



Contact Features

| | |
|------------------|-----------------|
| Contact Size | .64mm |
| Contact Type | Receptacle |
| Mating Tab Width | .64 mm[.025 in] |

Mechanical Attachment

| | |
|-----------------------------|----------------------------|
| Mounting Feature | Without |
| Terminal Position Assurance | Yes |
| Strain Relief | Without |
| Mating Alignment Type | Polarized |
| Mating Alignment | With |
| Connector Mounting Type | Cable Mount (Free-Hanging) |

Housing Features

| | |
|--------------------|-----------------|
| Centerline (Pitch) | 2.2 mm[.087 in] |
|--------------------|-----------------|

Dimensions

| | |
|----------------|-------------------|
| Product Width | 21.8 mm[.858 in] |
| Product Length | 21 mm[.827 in] |
| Product Height | 11.81 mm[.465 in] |

Usage Conditions

| | |
|-----------------------------|---|
| Operating Temperature (Max) | 70 °C, 75 °C, 80 °C, 85 °C, 90 °C, 100 °C [158 °F][167 °F][176 °F][185 °F][194 °F][212 °F] |
| Operating Temperature Range | -30 – 100 °C[-22 – 212 °F] |

Operation/Application

| | |
|---------------------|--------|
| Circuit Application | Signal |
|---------------------|--------|

Industry Standards

| | |
|------------------------|---------|
| UL Flammability Rating | UL 94HB |
|------------------------|---------|

Packaging Features

| | |
|--------------------|-----|
| Packaging Quantity | 100 |
| Packaging Method | Bag |

Other

| | |
|--------------------------------------|-----|
| Serviceable | Yes |
| Connector Position Assurance Capable | No |



Product Compliance

[For compliance documentation, visit the product page on TE.com>](#)

| | |
|---|---|
| EU RoHS Directive 2011/65/EU | Compliant |
| EU ELV Directive 2000/53/EC | Compliant |
| China RoHS 2 Directive MIIT Order No 32, 2016 | No Restricted Materials Above Threshold |
| EU REACH Regulation (EC) No. 1907/2006 | Current ECHA Candidate List: JAN 2022 (223) Candidate List Declared Against: JAN 2022 (223) Does not contain REACH SVHC |
| Halogen Content | Low Halogen - Br, Cl, F, I < 900 ppm per homogenous material. Also BFR/CFR/PVC Free |
| Solder Process Capability | Not applicable for solder process capability |

Product Compliance Disclaimer

This information is provided based on reasonable inquiry of our suppliers and represents our current actual knowledge based on the information they provided. This information is subject to change. The part numbers that TE has identified as EU RoHS compliant have a maximum concentration of 0.1% by weight in homogenous materials for lead, hexavalent chromium, mercury, PBB, PBDE, DBP, BBP, DEHP, DIBP, and 0.01% for cadmium, or qualify for an exemption to these limits as defined in the Annexes of Directive 2011/65/EU (RoHS2). Finished electrical and electronic equipment products will be CE marked as required by Directive 2011/65/EU. Components may not be CE marked. Additionally, the part numbers that TE has identified as EU ELV compliant have a maximum concentration of 0.1% by weight in homogenous materials for lead, hexavalent chromium, and mercury, and 0.01% for cadmium, or qualify for an exemption to these limits as defined in the Annexes of Directive 2000/53/EC (ELV). Regarding the REACH Regulation, the information TE provides on SVHC in articles for this part number is based on the latest European Chemicals Agency (ECHA) 'Guidance on requirements for substances in articles' posted at this URL: <https://echa.europa.eu/guidance-documents/guidance-on-reach>

Compatible Parts

| | | | |
|--|--|--|--|
|  <p>TE Part # CAT-SIGH262 SIGNAL HEADER</p> |  <p>TE Part # CAT-T319-CH8172 TH/.025 CONNECTOR SYSTEM, HOUSING</p> |  <p>TE Part # CAT-T319-T273 TH/.025 CONNECTOR SYSTEM, RECPT AND TAB</p> |  <p>TE Part # 1376366-8 025 8POS CAP ASSY H TIN</p> |
|--|--|--|--|

Also in the Series | TH/.025 Connector System



Automotive Connector Caps & Covers (6)



Automotive Housings(203)



Automotive Seals & Cavity Plugs(2)



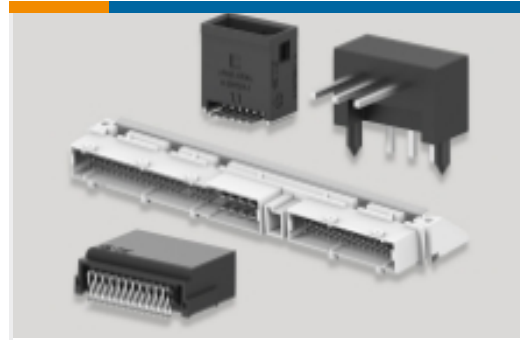
Automotive Terminals(25)



Insertion & Extraction Tools(4)



Other Automotive Connector Accessories(5)

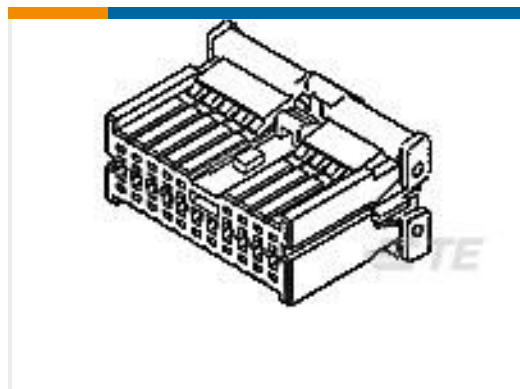


PCB Headers & Receptacles(144)

Customers Also Bought



TE Part #1318386-2
TH/.025 CONNECTOR SYSTEM,
HOUSING



TE Part #1123371-1
040-3 MLC PLUG HSG ASSY 16P



TE Part #3-1718643-1
2POS, MCON 1.2 LL REC SEALED



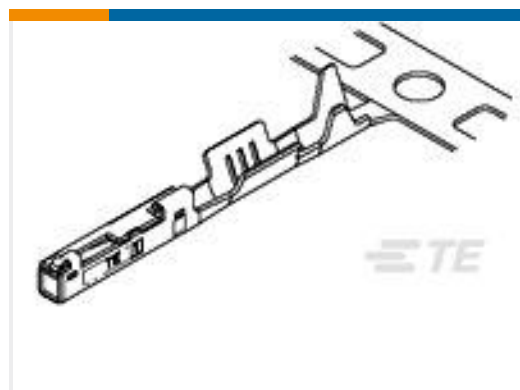
TE Part #1452203-1
HYBRID CONNECTOR 6P



TE Part #316838-1
040-3 REC CONTACT M PRE-TIN



TE Part #1612122-1
SQUIB LOCKING BUTTON



TE Part #1827855-1
0.50 SERIES CONNECTER
RECEPTACLE CONTACT



TE Part #774185P007
QS1500-NO.1-F5-0-25MM



TE Part #174399-2
MIC-MK2 DBL LOCK PLATE 13POS.

Documents



Product Drawings

025 I/O PLUG HSG 8P

Japanese

CAD Files

3D PDF

English

Customer View Model

[ENG_CVM_1376368-1_A1.2d_dxf.zip](#)

English

Customer View Model

[ENG_CVM_1376368-1_A1.3d_igs.zip](#)

English

Customer View Model

[ENG_CVM_1376368-1_A1.3d_stp.zip](#)

English

By downloading the CAD file I accept and agree to the [Terms and Conditions](#) of use.

Datasheets & Catalog Pages

TH/.025 Connector Series

English

Product Specifications

Crimping of 025 Receptacle Contact

Japanese

Application Specification

Japanese

Product Environmental Compliance

Product Compliance

English

Product Compliance

English

Instruction Sheets

.025 SERIES I/O CONNECTORS (H-Type 1Row 8Position)

Japanese

Instruction Sheet (non U.S.)

Japanese

.025 SERIES I/O CONNECTORS (H-Type 1Row 8Position)

Japanese

Instruction Sheet (non U.S.)

Japanese