

42581-2 ✓ ACTIVE

SHUR-PLUG 156

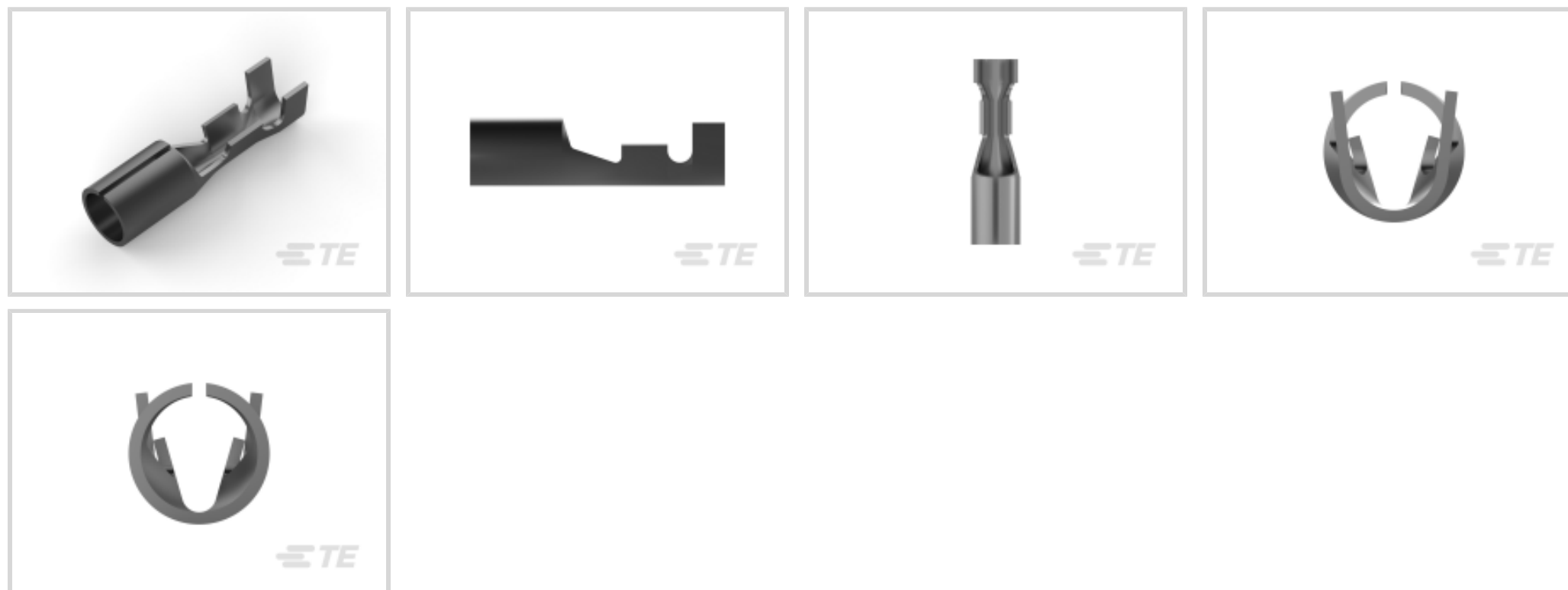
TE Internal #: 42581-2

Crimp Wire Pins, Tabs & Ferrules, Shur-Plug, Pin Diameter 3.96 mm [.156 in], 22 – 18 AWG Wire Size, .3 – .8 mm² Wire Size, SHUR-PLUG 156

[View on TE.com >](#)



Terminals & Splices > Crimp Wire Pins, Tabs & Ferrules



Crimp Wire Pin, Tab & Ferrule Terminal Type: **Shur-Plug**

Pin Diameter: **3.96 mm [.156 in]**

Accepts Wire Insulation Diameter Range: **2.16 – 3.17 mm, 3.17 mm [.085 – .125 in, .125 in]**

Wire Size: **.3 – .8 mm²**

Features

Product Type Features

Compatible With Discrete Wire Type	Solid, Stranded
------------------------------------	-----------------

Configuration Features

Compatible With Wire & Cable Type	Discrete Wire
-----------------------------------	---------------

Contact Features

Crimp Wire Pin, Tab & Ferrule Terminal Type	Shur-Plug
---	-----------

Barrel Type	Open
-------------	------

Terminal Plating Material	Tin
---------------------------	-----

Terminal Orientation	Straight
----------------------	----------

Mechanical Attachment

Wire Insulation Support	With
-------------------------	------

Dimensions

Pin Diameter	3.96 mm [.156 in]
--------------	-------------------

Accepts Wire Insulation Diameter Range	2.16 – 3.17 mm, 3.17 mm [.085 – .125 in][.125 in]
--	---



Wire Size	642 – 1624 CMA
Barrel Inside Diameter	1.14 mm, 2.79 mm [.045 in][.11 in]
Terminal Material Thickness	.39 mm [.016 in]
Overall Product Length	17.53 mm [.69 in]

Usage Conditions

Insulation Option	Uninsulated
Operating Temperature Range	-40 – 85 °C [-40 – 185 °F]

Operation/Application

Heavy Duty	No
------------	----

Packaging Features

Packaging Quantity	10000
Packaging Method	Reel

Product Compliance

[For compliance documentation, visit the product page on TE.com>](#)

EU RoHS Directive 2011/65/EU	Compliant
EU ELV Directive 2000/53/EC	Compliant
China RoHS 2 Directive MIIT Order No 32, 2016	No Restricted Materials Above Threshold
EU REACH Regulation (EC) No. 1907/2006	Current ECHA Candidate List: JAN 2022 (223) Candidate List Declared Against: JAN 2022 (223) Does not contain REACH SVHC
Halogen Content	Low Halogen - Br, Cl, F, I < 900 ppm per homogenous material. Also BFR/CFR/PVC Free
Solder Process Capability	Not applicable for solder process capability

Product Compliance Disclaimer

This information is provided based on reasonable inquiry of our suppliers and represents our current actual knowledge based on the information they provided. This information is subject to change. The part numbers that TE has identified as EU RoHS compliant have a maximum concentration of 0.1% by weight in homogenous materials for lead, hexavalent chromium, mercury, PBB, PBDE, DBP, BBP, DEHP, DIBP, and 0.01% for cadmium, or qualify for an exemption to these limits as defined in the Annexes of Directive 2011/65/EU (RoHS2). Finished electrical and electronic equipment products will be CE marked as required by Directive 2011/65/EU. Components may not be CE marked. Additionally, the part numbers that TE has identified as EU ELV compliant have a maximum concentration of 0.1% by weight in homogenous materials for lead, hexavalent chromium, and mercury, and 0.01% for cadmium, or qualify for an exemption to these limits as defined in the Annexes of Directive 2000/53/EC (ELV). Regarding the REACH Regulation, the information TE provides on SVHC in articles for this part number is based on the latest European Chemicals Agency (ECHA) 'Guidance on requirements for substances in articles' posted at this URL: <https://echa.europa.eu/guidance-documents/guidance-on-reach>

Compatible Parts



TE Part # 60017-3
RIGHT ANGLE SHUR PLUG REC 20-16
0.41 BR



TE Part # 63925-1
SHUR PLUG .156 Dia 14-12 AWG
PTPBR



TE Part # 2-2150385-1
OCEAN_2.0_Applicator-E-080F140F



TE Part # 2-2150385-2
OCEAN_2.0_Applicator-E-080F140F



TE Part # 2150385-1
OCEAN_2.0_Applicator-E-080F140F



TE Part # 2150385-2
OCEAN_2.0_Applicator-E-080F140F



TE Part # 7-2150385-1
OCEAN_2.0_Applicator-E-080F140F



TE Part # 7-2150385-2
OCEAN_2.0_Applicator-E-080F140F



TE Part # 7-2150385-7
OCEAN_2.0_SPARE_PART_KIT-
080F140F

Also in the Series | SHUR-PLUG 156



Crimp Wire Pins, Tabs & Ferrules(24)

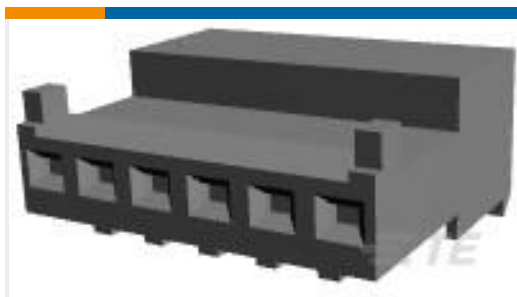


Ring Terminals & Spade Terminals(6)



Special Purpose Terminals(1)

Customers Also Bought



TE Part #3-643814-6
06P MTA100 CONN ASSY POL RIB



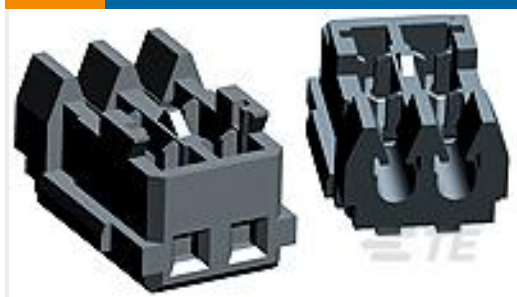
TE Part #926898-1
UNIV.M-N-L.PIN



TE Part #2-34150-1
PG R 22-16 COMM 22-18 MIL 1/4



TE Part #3-353294-4
AMP MINI D/R HDR HSG 34P NATU



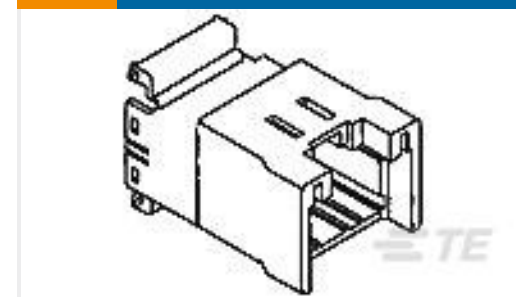
TE Part #1-353293-0
MINI CT MT REC ASSY 10P GRAY



TE Part #2-353293-8
1.5MM CT MT REC ASS'Y 8P BLACK



TE Part #60415-1
110 FASTON REC 22-18 AWG TPBR



TE Part #174058-2
040 MULTILOCK CAP 12P



TE Part #2-353293-7
1.5MM CT MT REC ASS'Y 7P BLACK

Documents

Product Drawings

[SHUR PLUG 156 RECEPTACLE 22-18 AWG TPBR](#)

English

CAD Files

[3D PDF](#)

3D

Customer View Model

[ENG_CVM_CVM_42581-2_W1.2d_dxf.zip](#)

English

Customer View Model

[ENG_CVM_CVM_42581-2_W1.3d_igs.zip](#)

English

Customer View Model

[ENG_CVM_CVM_42581-2_W1.3d_stp.zip](#)

English

By downloading the CAD file I accept and agree to the [Terms and Conditions](#) of use.

Product Specifications



Application Specification

English

Product Environmental Compliance

[MD_42581-2_02212018854_dmtec](#)

English

[MD_42581-2_02212018854_dmtec](#)

English