

2-967644-1 ✓ ACTIVE

AMP | MQS

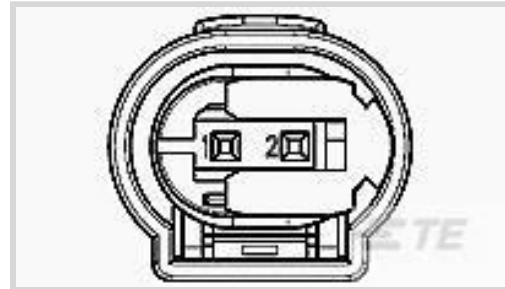
TE Internal #: 2-967644-1

Housing for Female Terminals, Wire-to-Device / Wire-to-Wire / Wire-to-Board, 2 Position, 2.54 mm Centerline, Sealable, Gray, Signal, MQS

[View on TE.com >](#)



Connectors > Automotive Connectors > Connector Housings > MQS, CONNECTOR HOUSING



Connector & Housing Type: **Housing for Female Terminals**

Mating Tab Width: **.63 mm [.025 in]**

Connector System: **Wire-to-Board, Wire-to-Device, Wire-to-Wire**

Number of Positions: **2**

Centerline (Pitch): **2.54 mm**

[All MQS, CONNECTOR HOUSING \(557\)](#)

Features

Product Type Features

Connector & Housing Shape	Rectangular
Connector & Housing Type	Housing for Female Terminals
Connector System	Wire-to-Board, Wire-to-Device, Wire-to-Wire
Sealable	Yes
Hybrid Connector	No
Primary Locking Feature	On the Terminal

Configuration Features

Number of Positions	2
Number of Rows	1

Electrical Characteristics

Operating Voltage	50 VDC
Nominal Voltage Architecture	12 V, 24 V, 42 V, 48 V

Body Features

Cable Exit Angle	180°
Body Material	PBT GF
Primary Product Color	Gray



Connector Code	B
----------------	---

Contact Features

Contact Size	.63mm
Contact Type	Receptacle
Mating Tab Width	.63 mm[.025 in]

Mechanical Attachment

Terminal Position Assurance	Yes
Strain Relief	Without
Mating Alignment Type	Keyed
Mating Alignment	With
Connector Mounting Type	Cable Mount (Free-Hanging)

Housing Features

Centerline (Pitch)	2.54 mm
--------------------	---------

Dimensions

Product Width	15.3 mm[.602 in]
Product Length	17.4 mm[.685 in]
Product Height	24.15 mm[.951 in]

Usage Conditions

Operating Temperature (Max)	70 °C, 75 °C, 80 °C, 85 °C, 90 °C, 100 °C, 105 °C, 110 °C, 120 °C[158 °F][167 °F][176 °F][185 °F][194 °F][212 °F][221 °F][230 °F][248 °F]
Operating Temperature Range	-40 – 120 °C[-40 – 248 °F]

Operation/Application

Circuit Application	Signal
---------------------	--------

Packaging Features

Packaging Quantity	2700
Packaging Method	Bag

Other

Serviceable	Yes
Connector Position Assurance Capable	No

Product Compliance



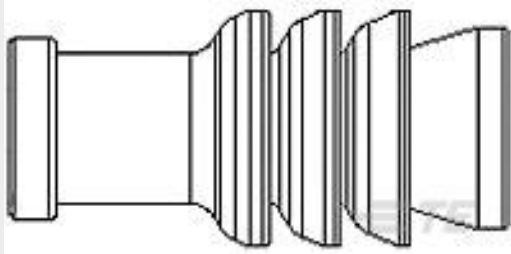
[For compliance documentation, visit the product page on TE.com>](#)

EU RoHS Directive 2011/65/EU	Compliant
EU ELV Directive 2000/53/EC	Compliant
China RoHS 2 Directive MIIT Order No 32, 2016	No Restricted Materials Above Threshold
EU REACH Regulation (EC) No. 1907/2006	Current ECHA Candidate List: JAN 2022 (223) Candidate List Declared Against: JAN 2022 (223) Does not contain REACH SVHC
Halogen Content	Not Low Halogen - contains Br or Cl > 900 ppm.
Solder Process Capability	Not applicable for solder process capability

Product Compliance Disclaimer

This information is provided based on reasonable inquiry of our suppliers and represents our current actual knowledge based on the information they provided. This information is subject to change. The part numbers that TE has identified as EU RoHS compliant have a maximum concentration of 0.1% by weight in homogenous materials for lead, hexavalent chromium, mercury, PBB, PBDE, DBP, BBP, DEHP, DIBP, and 0.01% for cadmium, or qualify for an exemption to these limits as defined in the Annexes of Directive 2011/65/EU (RoHS2). Finished electrical and electronic equipment products will be CE marked as required by Directive 2011/65/EU. Components may not be CE marked. Additionally, the part numbers that TE has identified as EU ELV compliant have a maximum concentration of 0.1% by weight in homogenous materials for lead, hexavalent chromium, and mercury, and 0.01% for cadmium, or qualify for an exemption to these limits as defined in the Annexes of Directive 2000/53/EC (ELV). Regarding the REACH Regulation, the information TE provides on SVHC in articles for this part number is based on the latest European Chemicals Agency (ECHA) 'Guidance on requirements for substances in articles' posted at this URL: <https://echa.europa.eu/guidance-documents/guidance-on-reach>

Compatible Parts



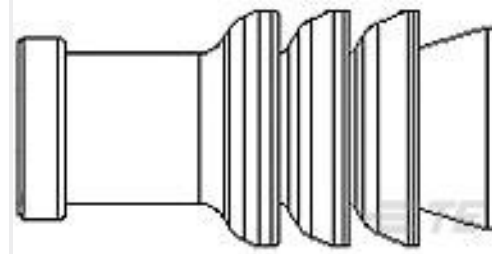
TE Part # 967067-2
MQS EINZELLEITDICHT



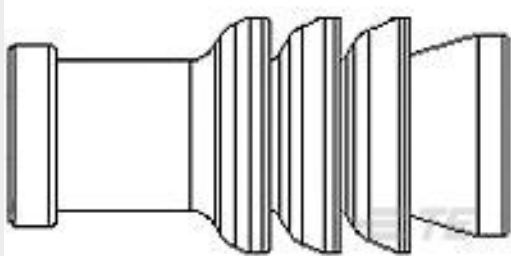
TE Part # CAT-M8793-T273
MQS, RECEPTACLE AND TAB



TE Part # 2005342-5
2POS MQS TAB SEALED



TE Part # 967056-1
MQS BLINDSTOPFEN4MM



TE Part # 967067-1
MQS SGL WIRE SEAL

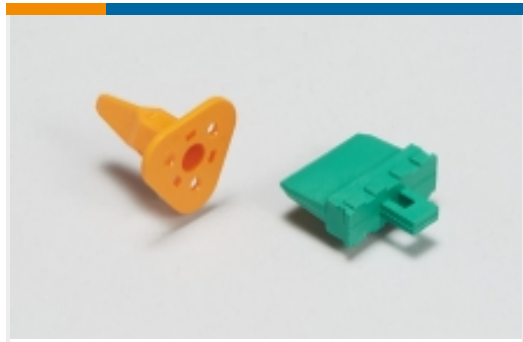
Also in the Series | MQS



Automotive Connector Caps & Covers (131)



Automotive Connector EMC Shielding (2)



Automotive Connector Locks & Position Assurance(29)



Automotive Housings(489)



Automotive Seals & Cavity Plugs(26)



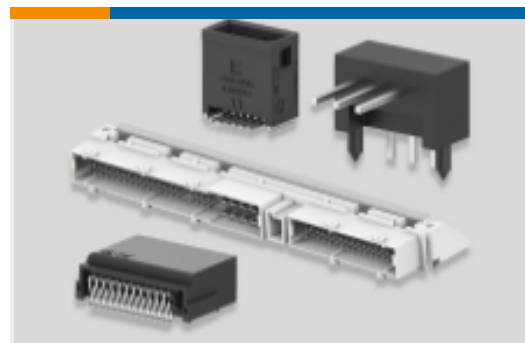
Automotive Terminals(96)



Insertion & Extraction Tools(42)



Other Automotive Connector Accessories(13)



PCB Headers & Receptacles(206)

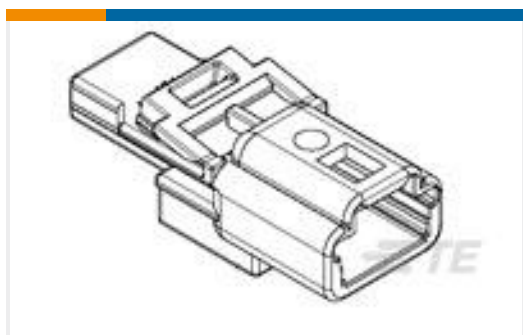
Customers Also Bought



TE Part #1-1703498-4
2POS, MCON 1.2 LL TAB SEALED
COD A



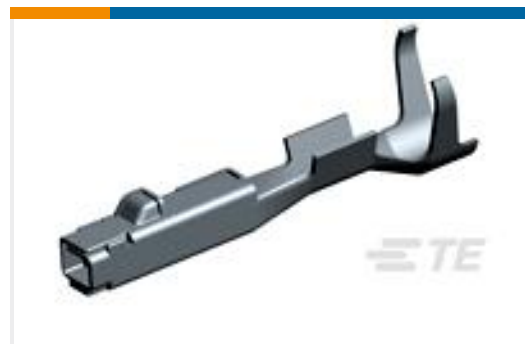
TE Part #1823467-1
6POS,AMP MCP1.5K,REC HSG,CODA



TE Part #1379674-2
4W TAB HSG CODING 2 GRAY



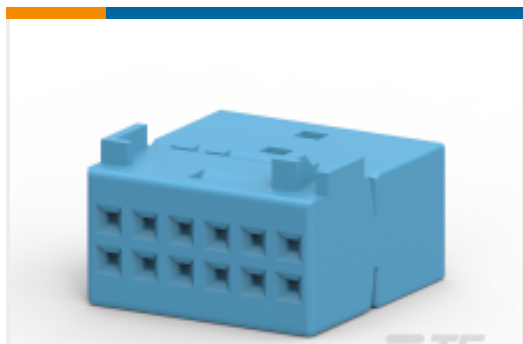
TE Part #1563190-1
2POS,TAB 1.6 X 0.6,TAB HSG,COD



TE Part #1418844-1
MCON 1.2 CB REC SWS SN



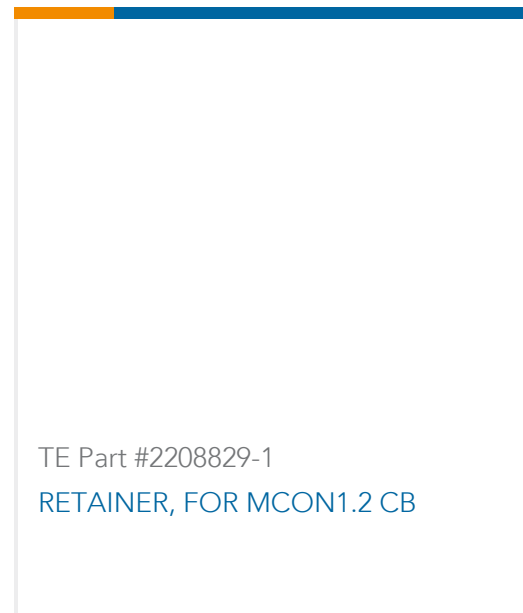
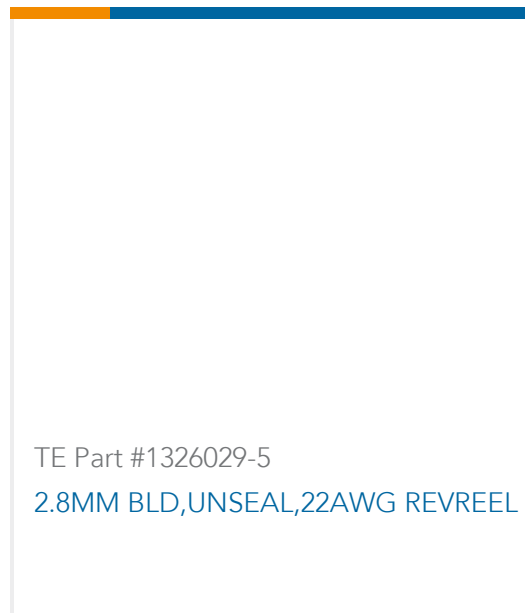
TE Part #6-928918-1
MQS0,63 Sn tab LL unseal. 0,2-0,35



TE Part #2278598-1
12POS MQS REC



TE Part #1924955-8
CONTACT,FEMALE,0.64,0.35SQMM,
UNSEALED



Documents

Product Drawings

[2POS MQS REC SEALED COD B](#)

English

CAD Files

Customer View Model

[ENG_CVM_CVM_2-967644-1_A.2d_dxf.zip](#)

English

[3D PDF](#)

3D

Customer View Model

[ENG_CVM_CVM_2-967644-1_A.3d_igs.zip](#)

English

Customer View Model

[ENG_CVM_CVM_2-967644-1_A.3d_stp.zip](#)

English

By downloading the CAD file I accept and agree to the [Terms and Conditions](#) of use.

Datasheets & Catalog Pages

[Micro Quadlok Interconnection System \(MQS\)](#)

English

Product Specifications

[Application Specification](#)

English

[Application Specification](#)

German

[Application Specification](#)

English

Product Environmental Compliance

[Product Compliance](#)

English

[Product Compliance](#)

English

2-967644-1

Housing for Female Terminals, Wire-to-Device / Wire-to-Wire / Wire-to-Board, 2
Position, 2.54 mm Centerline, Sealable, Gray, Signal, MQS

