

173645-1 ✓ ACTIVE

AMP | Multilock Connector System

TE Internal #: 173645-1

Automotive Terminals, Tab, Mating Tab Width 1.8 mm [.071 in], Tab Thickness .025 in [.64 mm], 20 – 16 AWG Wire Size, Multilock Connector System

[View on TE.com >](#)



Terminals & Splices > Automotive Terminals > MULTILOCK, RECEPTACLE AND TAB



Terminal Type: **Tab**

Mating Tab Width: **1.8 mm [.071 in]**

Mating Tab Thickness: **.64 mm [.025 in]**

Terminal Transmits: **0 – 24 A (Low Power)**

Wire Size: **20 – 16 AWG**

[All MULTILOCK, RECEPTACLE AND TAB \(143\)](#)

## Features

### Product Type Features

Sealable	No
Primary Locking Feature	Clean Body

### Contact Features

Typical Current Rating	14 A
Crimp Type	F-Crimp
Terminal Type	Tab
Mating Tab Width	1.8 mm[.071 in]
Mating Tab Thickness	.64 mm[.025 in]
Interface Plating	Tin (Sn)
Contact Termination Area Plating Material	Tin (Sn)

### Termination Features

Termination Method to Wire & Cable	Crimp
Product Terminates To	Wire

### Dimensions

Wire Size	.5 – 1.25 mm <sup>2</sup>
Wire Size Search	16 AWG, 17 AWG, 18 AWG, 19 AWG, 20



AWG

Wire Insulation Diameter	2 – 2.6 mm [.079 – .102 in]
--------------------------	-----------------------------

### Usage Conditions

Insulation Option	Uninsulated
Operating Temperature (Max)	80 °C, 85 °C, 90 °C, 100 °C, 105 °C [176 °F][185 °F][194 °F][212 °F][221 °F]
Operating Temperature Range	-30 – 105 °C [-22 – 221 °F]

### Packaging Features

Packaging Method	Reel
Packaging Quantity	3000

### Other

Terminal Transmits	0 – 24 A (Low Power)
--------------------	----------------------

## Product Compliance

For compliance documentation, visit the product page on [TE.com](https://www.te.com)>

EU RoHS Directive 2011/65/EU	Compliant
EU ELV Directive 2000/53/EC	Compliant
China RoHS 2 Directive MIIT Order No 32, 2016	No Restricted Materials Above Threshold
EU REACH Regulation (EC) No. 1907/2006	Current ECHA Candidate List: JAN 2022 (223) Candidate List Declared Against: JAN 2022 (223) Does not contain REACH SVHC
Halogen Content	Low Halogen - Br, Cl, F, I < 900 ppm per homogenous material. Also BFR/CFR/PVC Free
Solder Process Capability	Not applicable for solder process capability

#### Product Compliance Disclaimer

This information is provided based on reasonable inquiry of our suppliers and represents our current actual knowledge based on the information they provided. This information is subject to change. The part numbers that TE has identified as EU RoHS compliant have a maximum concentration of 0.1% by weight in homogenous materials for lead, hexavalent chromium, mercury, PBB, PBDE, DBP, BBP, DEHP, DIBP, and 0.01% for cadmium, or qualify for an exemption to these limits as defined in the Annexes of Directive 2011/65/EU (RoHS2). Finished electrical and electronic equipment products will be CE marked as required by Directive 2011/65/EU. Components may not be CE marked. Additionally, the part numbers that TE has identified as EU ELV compliant have a maximum concentration of 0.1% by weight in homogenous materials for lead, hexavalent chromium, and mercury, and 0.01% for cadmium, or qualify for an exemption to these limits as defined in the Annexes of Directive 2000/53/EC (ELV). Regarding the REACH Regulation, the information TE provides on SVHC in articles for this part number is based on the latest European Chemicals Agency (ECHA) 'Guidance on requirements for substances in articles' posted at this URL: <https://echa.europa.eu/guidance-documents/guidance-on-reach>

## Compatible Parts



TE Part # 2305570-1  
TERMINAL CUTTER, SIDE FEED



TE Part # CAT-M9194-CH8172  
MULTILOCK, CONNECTOR HOUSING



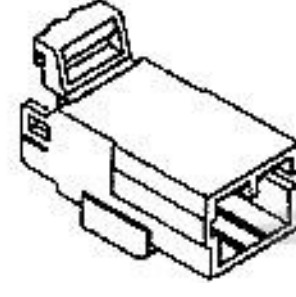
TE Part # 173631-1  
MCI/O REC CONTACT REEL



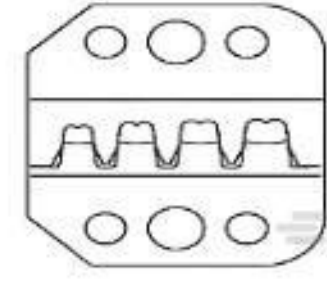
TE Part # 91573-1  
CCII 070 SERIES REC TAB 20-16 ASSY



TE Part # 755430-2  
EXT, TOOL ASSY



TE Part # 174930-1  
070 MLC W-W CAP HSG 6P SGL



TE Part # 58521-2  
PRO-CRIMPER DIE



TE Part # 2-2266309-1  
OCEAN\_2.0\_APPLICATOR-S-090F096F



TE Part # 2-2266309-2  
OCEAN\_2.0\_APPLICATOR-S-090F096FA



TE Part # 2266309-1  
OCEAN\_2.0\_APPLICATOR-S-090F096F



TE Part # 2266309-2  
OCEAN\_2.0\_APPLICATOR-S-090F096FA



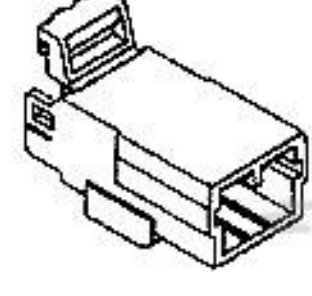
TE Part # 7-2266309-1  
OCEAN\_2.0\_APPLICATOR-S-090F096FA



TE Part # 7-2266309-2  
OCEAN\_2.0\_APPLICATOR-S-090F096FA




KIT  
TE Part # 7-2266309-7  
OCEAN\_2.0\_SPARE\_PART\_KIT-090F096F



TE Part # 174929-2  
070 MLC W-W CAP HSG 4P B



TE Part # 178602-2  
070 MLC



TE Part # 2302009-1  
W/H REAR BLOWER, AI-TATA X104



TE Part # 348794-1  
SHORTING CON TAB HSG YELLO



TE Part # 1-85114-2  
070/250 HYB 15P CAP(BLK) W/BLI

## Also in the Series | Multilock Connector System

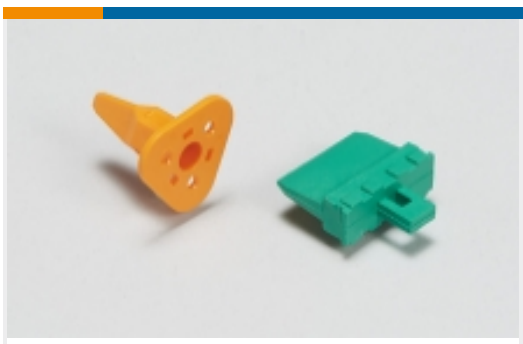




Automotive Connector Caps & Covers (16)



Automotive Connector EMC Shielding (1)



Automotive Connector Locks & Position Assurance(2)



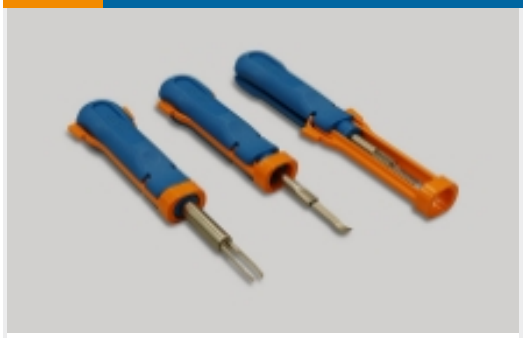
Automotive Housings(575)



Automotive Seals & Cavity Plugs(2)



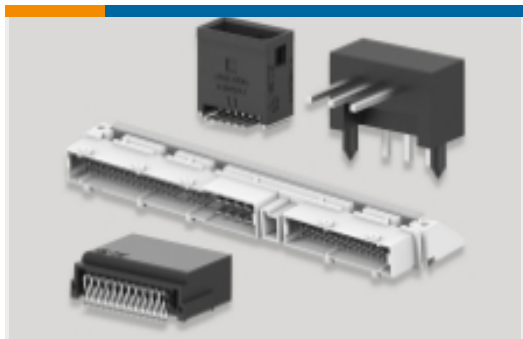
Automotive Terminals(141)



Insertion & Extraction Tools(6)



Other Automotive Connector Accessories(9)



PCB Headers & Receptacles(129)

## Customers Also Bought



TE Part #63721-1  
RING 24-20 AWG TPBR



TE Part #173631-1  
MCI/O REC CONTACT REEL



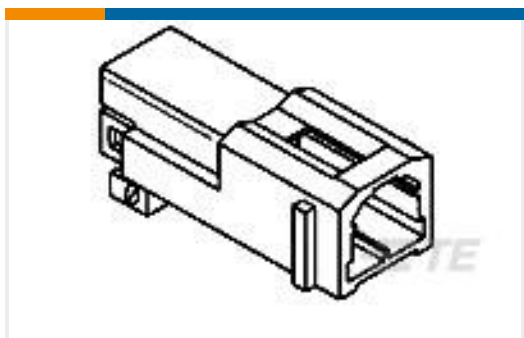
TE Part #85114-1  
070/250 HYBRID 15P CAP



TE Part #175065-2  
CONTACT 22-18 AWG 0.30 X 17.0 SS



TE Part #2295163-3  
22POS,MIXED,REC HSG,ASSY



TE Part #174460-1  
070 MULTILOCK 2P CAP HSG



TE Part #PR735B095S300A  
PTC THERMISTOR



TE Part #1601597-1  
L061/076C16B=RTM 1100-3200

## Documents



## Product Drawings

### 070 TAB CONT 16-20

Japanese

---

## CAD Files

### 3D PDF

3D

Customer View Model

[ENG\\_CVM\\_CVM\\_173645-1\\_L.2d\\_dxf.zip](#)

English

Customer View Model

[ENG\\_CVM\\_CVM\\_173645-1\\_L.3d\\_igs.zip](#)

English

Customer View Model

[ENG\\_CVM\\_CVM\\_173645-1\\_L.3d\\_stp.zip](#)

English

Customer View Model

[ENG\\_CVM\\_173645-1\\_E1.3d\\_igs.zip](#)

English

Customer View Model

[ENG\\_CVM\\_173645-1\\_E1.3d\\_stp.zip](#)

English

Customer View Model

[ENG\\_CVM\\_173645-1\\_E1.2d\\_dxf.zip](#)

English

### 3D PDF

English

By downloading the CAD file I accept and agree to the [Terms and Conditions](#) of use.

---

## Datasheets & Catalog Pages

### MULTILOCK Connector System

English

---

## Product Specifications

### Application Specification

English

---

## Product Environmental Compliance

### MD\_173645-1\_1008201639\_dmtec

English

[MD\\_173645-1\\_1008201639\\_dmtec](#)

English

---

## Instruction Sheets

### Instruction Sheet (non U.S.)

English

173645-1

Automotive Terminals, Tab, Mating Tab Width 1.8 mm [.071 in], Tab Thickness .025 in [.64 mm], 20 – 16 AWG Wire Size, Multilock Connector System



[AMP Extraction Tool P/N 755430-2 for Extraction 070 Series Cont.](#)

English