

175966-2 ✓ ACTIVE

AMP | Multilock Connector System

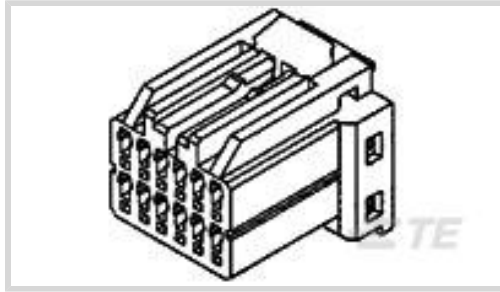
TE Internal #: 175966-2

Housing for Female Terminals, Wire-to-Wire, 16 Position, .098 in [2.5 mm] Centerline, Black, Signal, Multilock Connector System

[View on TE.com >](#)



Connectors > Automotive Connectors > Connector Housings > MULTILOCK, CONNECTOR HOUSING



Connector & Housing Type: **Housing for Female Terminals**

Mating Tab Width: **1 mm [ .039 in ]**

Connector System: **Wire-to-Wire**

Number of Positions: **16**

Centerline (Pitch): **2.5 mm [ .098 in ]**

[All MULTILOCK, CONNECTOR HOUSING \(576\)](#)

## Features

### Product Type Features

Connector & Housing Shape	Rectangular
Connector & Housing Type	Housing for Female Terminals
Connector System	Wire-to-Wire
Sealable	No
Hybrid Connector	No
Primary Locking Feature	Integrated in Housing

### Configuration Features

Number of Positions	16
Number of Rows	2

### Body Features

Cable Exit Angle	180°
Body Material	PBT
Primary Product Color	Black

### Contact Features

Contact Size	1mm
Contact Type	Receptacle
Mating Tab Width	1 mm[.039 in]



### Mechanical Attachment

Mounting Feature	Without
Terminal Position Assurance	No
Mating Alignment Type	Polarized
Mating Alignment	With
Connector Mounting Type	Cable Mount (Free-Hanging)

### Housing Features

Centerline (Pitch)	2.5 mm[.098 in]
--------------------	-----------------

### Dimensions

Product Width	18 mm[.709 in]
Product Length	23.3 mm[.917 in]
Product Height	23 mm[.906 in]

### Usage Conditions

Operating Temperature (Max)	70 °C, 75 °C, 80 °C, 85 °C, 90 °C, 100 °C, 105 °C[158 °F][167 °F][176 °F][185 °F][194 °F] [212 °F][221 °F]
Operating Temperature Range	-30 – 105 °C[-22 – 221 °F]

### Operation/Application

Circuit Application	Signal
---------------------	--------

### Packaging Features

Packaging Quantity	100
Packaging Method	Bag

### Other

Serviceable	No
Connector Position Assurance Capable	No

### Product Compliance

[For compliance documentation, visit the product page on TE.com>](#)

EU RoHS Directive 2011/65/EU	Compliant
EU ELV Directive 2000/53/EC	Compliant
China RoHS 2 Directive MIIT Order No 32, 2016	No Restricted Materials Above Threshold
EU REACH Regulation (EC) No. 1907/2006	Current ECHA Candidate List: JAN 2022 (223)



Candidate List Declared Against: JAN 2022  
(223)

Does not contain REACH SVHC

Halogen Content

Low Halogen - Br, Cl, F, I < 900 ppm per homogenous material. Also BFR/CFR/PVC Free

Solder Process Capability

Not applicable for solder process capability

Product Compliance Disclaimer

This information is provided based on reasonable inquiry of our suppliers and represents our current actual knowledge based on the information they provided. This information is subject to change. The part numbers that TE has identified as EU RoHS compliant have a maximum concentration of 0.1% by weight in homogenous materials for lead, hexavalent chromium, mercury, PBB, PBDE, DBP, BBP, DEHP, DIBP, and 0.01% for cadmium, or qualify for an exemption to these limits as defined in the Annexes of Directive 2011/65/EU (RoHS2). Finished electrical and electronic equipment products will be CE marked as required by Directive 2011/65/EU. Components may not be CE marked. Additionally, the part numbers that TE has identified as EU ELV compliant have a maximum concentration of 0.1% by weight in homogenous materials for lead, hexavalent chromium, and mercury, and 0.01% for cadmium, or qualify for an exemption to these limits as defined in the Annexes of Directive 2000/53/EC (ELV). Regarding the REACH Regulation, the information TE provides on SVHC in articles for this part number is based on the latest European Chemicals Agency (ECHA) 'Guidance on requirements for substances in articles' posted at this URL: <https://echa.europa.eu/guidance-documents/guidance-on-reach>

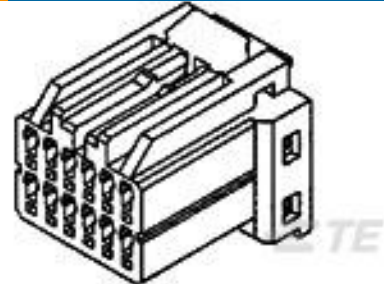
## Compatible Parts



TE Part # CAT-SIGH262  
SIGNAL HEADER




TE Part # CAT-M9194-T273  
MULTILOCK, RECEPTACLE AND TAB

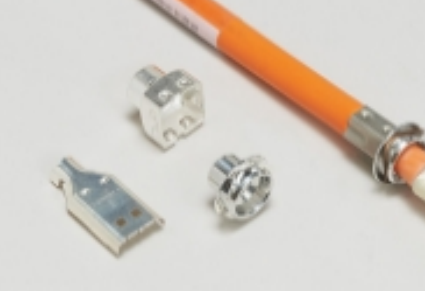


TE Part # 175967-2  
040 MLC II PLUG HSG ASSY 20P

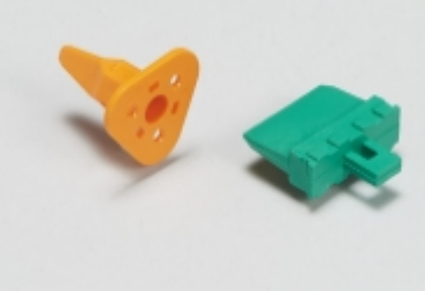
## Also in the Series | Multilock Connector System




Automotive Connector Caps & Covers  
(16)



Automotive Connector EMC Shielding  
(1)



Automotive Connector Locks & Position Assurance(2)



Automotive Housings(575)



Automotive Seals & Cavity Plugs(2)



Automotive Terminals(141)



Insertion & Extraction Tools(6)



Other Automotive Connector Accessories(9)

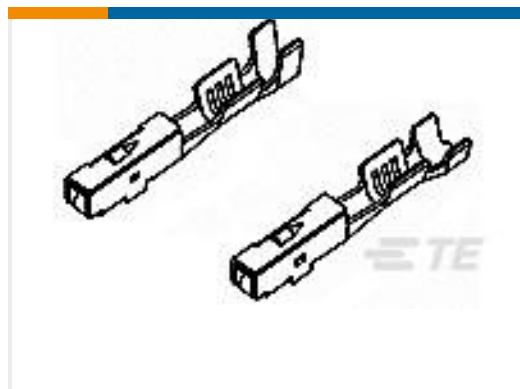


PCB Headers & Receptacles(129)

## Customers Also Bought



TE Part #174047-2  
MULTILOCK, CONNECTOR HOUSING



TE Part #175268-1  
070 REC (S) FOR NSCC



TE Part #2272431-2  
1X6 GET UNSLD SIDE LATCH PLUG, KEY B



TE Part #2098380-1  
20 POS HYBRID UNSEALED CAP KY-A STD CLIP



TE Part #2133662-1  
REC CONN CVR ASSY,64POS,MQS



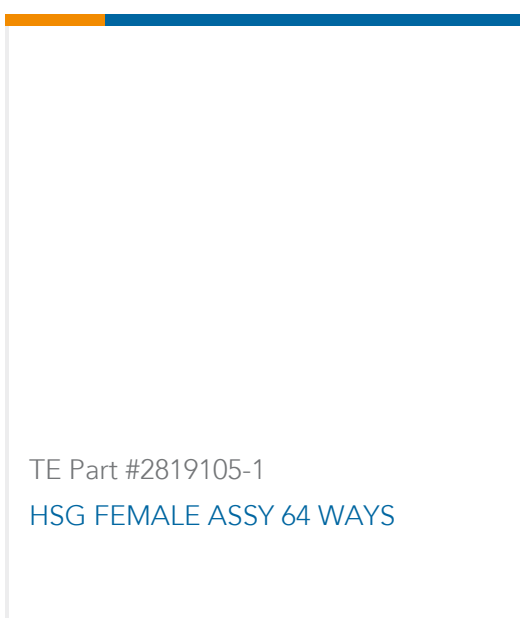
TE Part #771113P005  
FL2500-NO.2-19-0-27MM



TE Part #D58196-000  
FL2500-NO.2-19-0-50MM



TE Part #1123653-1  
.040 3 UNSEALED CONT.REC MS



TE Part #2819105-1  
HSG FEMALE ASSY 64 WAYS

## Documents



### Product Drawings

#### 040 MLC II PLUG HSG ASSY 16P

English

---

### CAD Files

#### Customer View Model

[ENG\\_CVM\\_CVM\\_175966-2\\_A.2d\\_dxf.zip](#)

English

#### 3D PDF

3D

#### Customer View Model

[ENG\\_CVM\\_CVM\\_175966-2\\_A.3d\\_igs.zip](#)

English

#### Customer View Model

[ENG\\_CVM\\_CVM\\_175966-2\\_A.3d\\_stp.zip](#)

English

By downloading the CAD file I accept and agree to the [Terms and Conditions](#) of use.

---

### Datasheets & Catalog Pages

#### MULTILOCK Connector System

English

---

### Product Specifications

#### Crimping .040 Series, Receptacle Contact

Japanese

#### Application Specification

Japanese

#### Application Specification

English

#### Crimping .040 Series Receptacle Contact

English

---

### Product Environmental Compliance

#### Product Compliance

English

#### Product Compliance

English

---

### Instruction Sheets

#### Customer Manual (non U.S.)

Japanese

#### .040 Series Multilock I/O Connector Mark II

Japanese

#### Customer Manual (non U.S.)

Japanese

#### .040 Series, Multilock I/O Connector, Mark II

175966-2

Housing for Female Terminals, Wire-to-Wire, 16 Position, .098 in [2.5 mm] Centerline,  
Black, Signal, Multilock Connector System



Japanese