

2-85262-1 ✓ ACTIVE

## Econoseal J - Mark II

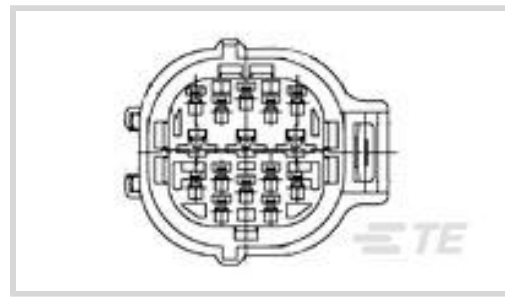
TE Internal #: 2-85262-1

Housing for Female Terminals, Wire-to-Wire, 15 Position, Sealable, Gray, Signal, Cable Mount (Free-Hanging), Econoseal J - Mark II

[View on TE.com >](#)



Connectors > Automotive Connectors > Connector Housings > ECONOSEAL, CONNECTOR HOUSING



Connector & Housing Type: **Housing for Female Terminals**

Mating Tab Width: **1.7 mm, 6.35 mm [ .07 in, .25 in ]**

Connector System: **Wire-to-Wire**

Number of Positions: **15**

Sealable: **Yes**

[All ECONOSEAL, CONNECTOR HOUSING \(90\)](#)

## Features

### Product Type Features

Connector & Housing Shape	Rectangular
Connector & Housing Type	Housing for Female Terminals
Connector System	Wire-to-Wire
Sealable	Yes
Hybrid Connector	Yes
Primary Locking Feature	Integrated in Housing

### Configuration Features

Number of Positions	15
---------------------	----

### Body Features

Cable Exit Angle	180°
Body Material	PBT
Primary Product Color	Gray

### Contact Features

Contact Size	1.7mm, 6.35mm
Contact Type	Receptacle
Mating Tab Width	1.7 mm, 6.35 mm[.07 in][.25 in]

### Mechanical Attachment



Mounting Feature	Without
Terminal Position Assurance	No
Strain Relief	Without
Mating Alignment Type	Polarization Slot
Mating Alignment	With
Connector Mounting Type	Cable Mount (Free-Hanging)

### Dimensions

Product Width	33 mm[1.29 in]
Product Length	37.2 mm[1.46 in]
Product Height	33 mm[1.3 in]

### Operation/Application

Circuit Application	Signal
---------------------	--------

### Packaging Features

Packaging Quantity	100
Packaging Method	Bag

### Other

Serviceable	No
Connector Position Assurance Capable	No

## Product Compliance

[For compliance documentation, visit the product page on TE.com>](#)

EU RoHS Directive 2011/65/EU	Compliant
EU ELV Directive 2000/53/EC	Compliant
China RoHS 2 Directive MIIT Order No 32, 2016	No Restricted Materials Above Threshold
EU REACH Regulation (EC) No. 1907/2006	Current ECHA Candidate List: JAN 2022 (223) Candidate List Declared Against: JAN 2022 (223) Does not contain REACH SVHC
Halogen Content	Low Halogen - Br, Cl, F, I < 900 ppm per homogenous material. Also BFR/CFR/PVC Free
Solder Process Capability	Not applicable for solder process capability

Product Compliance Disclaimer

This information is provided based on reasonable inquiry of our suppliers and represents our current actual knowledge based on the information they provided. This information is subject to change. The part numbers that TE has identified as EU RoHS compliant have a maximum concentration of 0.1% by weight in homogenous materials for lead, hexavalent chromium, mercury, PBB, PBDE, DBP, BBP, DEHP, DIBP, and 0.01% for cadmium, or qualify for an exemption to these limits as defined in the Annexes of Directive 2011/65/EU (RoHS2). Finished electrical and electronic equipment products will be CE marked as required by Directive 2011/65/EU. Components may not be CE marked. Additionally, the part numbers that TE has identified as EU ELV compliant have a maximum concentration of 0.1% by weight in homogenous materials for lead, hexavalent chromium, and mercury, and 0.01% for cadmium, or qualify for an exemption to these limits as defined in the Annexes of Directive 2000/53/EC (ELV). Regarding the REACH Regulation, the information TE provides on SVHC in articles for this part number is based on the latest European Chemicals Agency (ECHA) 'Guidance on requirements for substances in articles' posted at this URL: <https://echa.europa.eu/guidance-documents/guidance-on-reach>

## Compatible Parts

TE Part # 85223-1  
E-J MK-II(+) 15P PLUG DBL

TE Part # 368121-1  
CLIP HSG FOR 070(EJ MK-II 16P)

## Also in the Series | Econoseal J - Mark II

Automotive Connector Locks & Position Assurance(18)

Automotive Housings(41)

Automotive Seals & Cavity Plugs(8)

Other Automotive Connector Accessories(4)

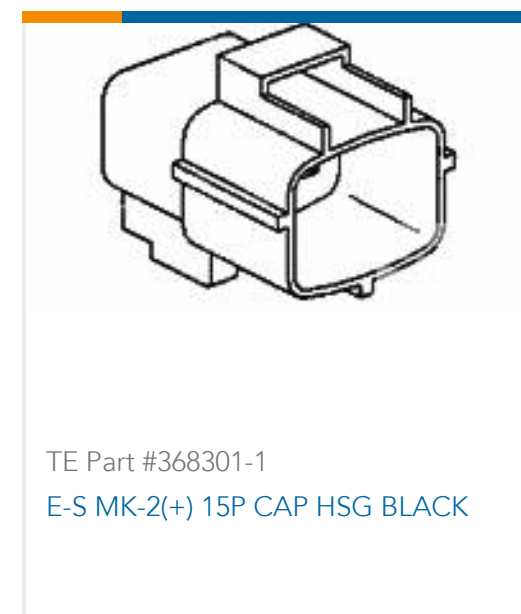
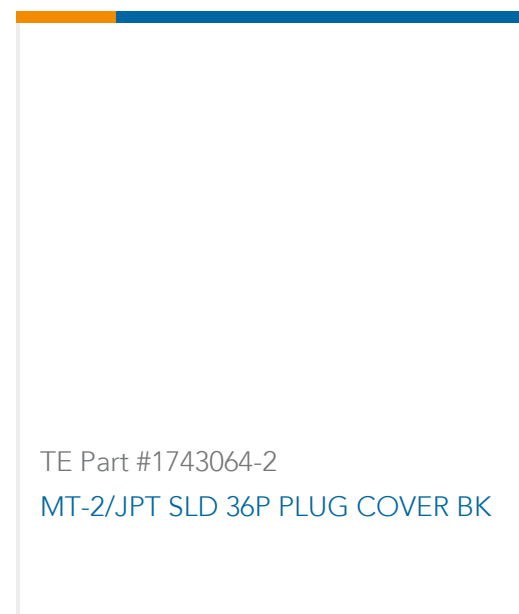
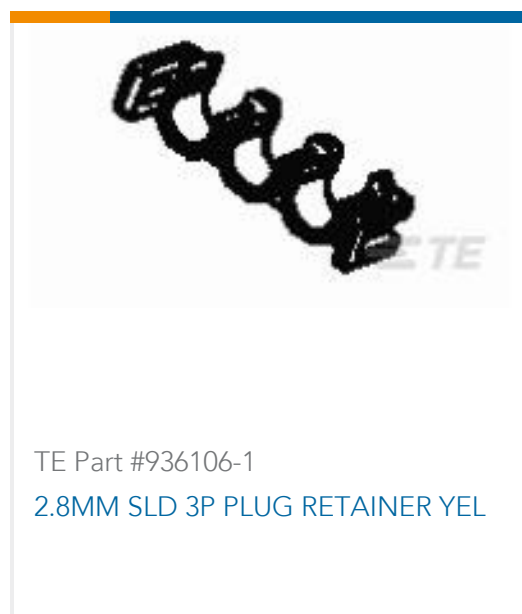
## Customers Also Bought

TE Part #284716-3  
6 POS REC. CONNECTOR FOR MTII

TE Part #967542-2  
AMP MCP, SFC, RECEPTACLE

TE Part #CH03446001  
QSZH-125-NR1-30MM

TE Part #2286476-1  
BLIND PLUG,MCON 1.2 CB



## Documents

### Product Drawings

#### E-S MK-2(+) 15P PLUG ASSY

English

### CAD Files

#### 3D PDF

3D

#### Customer View Model

[ENG\\_CVM\\_CVM\\_2-85262-1\\_C.2d\\_dxf.zip](#)

English

#### Customer View Model

[ENG\\_CVM\\_CVM\\_2-85262-1\\_C.3d\\_igs.zip](#)

English

#### Customer View Model

[ENG\\_CVM\\_CVM\\_2-85262-1\\_C.3d\\_stp.zip](#)

English

By downloading the CAD file I accept and agree to the [Terms and Conditions](#) of use.

### Datasheets & Catalog Pages

#### Econoseal Connector Series

English

### Product Specifications

#### 070 250 15P

English