

174352-2 ✓ ACTIVE

AMP | Econoseal, Econoseal J - 070 Mark II

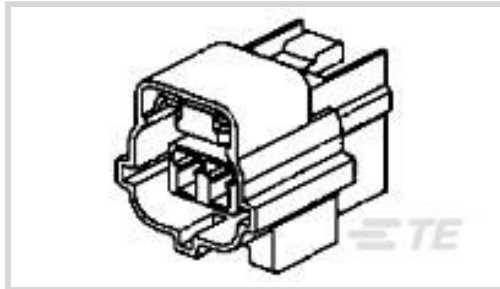
TE Internal #: 174352-2

Housing for Female Terminals, Wire-to-Wire, 2 Position, .189 in [4.8 mm] Centerline, Sealable, Black, Signal, Cable Mount (Free-Hanging), Hybrid

[View on TE.com >](#)



Connectors > Automotive Connectors > Connector Housings > ECONOSEAL, CONNECTOR HOUSING



Connector & Housing Type: **Housing for Female Terminals**

Mating Tab Width: **1.8 mm [.071 in]**

Connector System: **Wire-to-Wire**

Number of Positions: **2**

Centerline (Pitch): **4.8 mm [.189 in]**

[All ECONOSEAL, CONNECTOR HOUSING \(90\)](#)

Features

Product Type Features

Connector & Housing Shape	Rectangular
Connector & Housing Type	Housing for Female Terminals
Connector System	Wire-to-Wire
Sealable	Yes
Hybrid Connector	No
Primary Locking Feature	Integrated in Housing

Configuration Features

Number of Positions	2
Number of Rows	1

Electrical Characteristics

Operating Voltage	12 VDC
Nominal Voltage Architecture	12 V

Body Features

Cable Exit Angle	180°
Body Material	PBT
Primary Product Color	Black



Contact Features

Contact Size	1.8mm
Contact Type	Receptacle
Mating Tab Width	1.8 mm[.071 in]

Mechanical Attachment

Mounting Feature	Without
Terminal Position Assurance	Yes
Strain Relief	Without
Mating Alignment Type	Polarization Slot
Mating Alignment	With
Connector Mounting Type	Cable Mount (Free-Hanging)

Housing Features

Centerline (Pitch)	4.8 mm[.189 in]
--------------------	-----------------

Dimensions

Product Width	20.6 mm[.811 in]
Product Length	27.6 mm[1.087 in]
Product Height	22.8 mm[.898 in]

Usage Conditions

Operating Temperature (Max)	70 °C, 75 °C, 80 °C, 85 °C, 90 °C, 100 °C, 105 °C[158 °F][167 °F][176 °F][185 °F][194 °F][212 °F][221 °F]
Operating Temperature Range	-30 – 105 °C[-22 – 221 °F]

Operation/Application

Circuit Application	Signal
---------------------	--------

Industry Standards

UL Flammability Rating	UL 94V-2
------------------------	----------

Packaging Features

Packaging Quantity	100
Packaging Method	Bag

Other

Serviceable	Yes
Connector Position Assurance Capable	No

Product Compliance

For compliance documentation, visit the product page on [TE.com](#)>

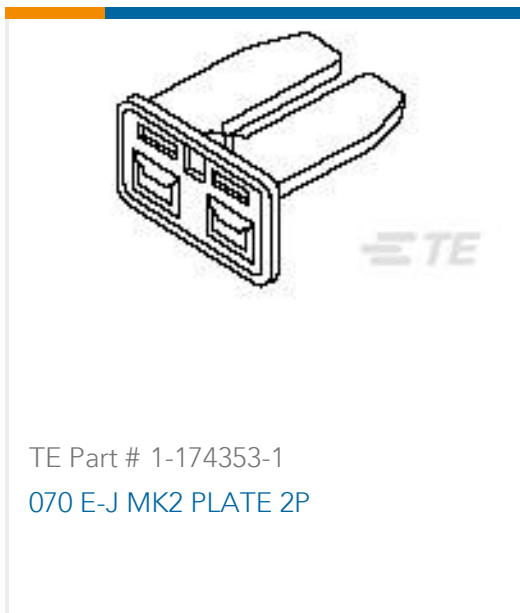
EU RoHS Directive 2011/65/EU	Compliant
EU ELV Directive 2000/53/EC	Compliant
China RoHS 2 Directive MIIT Order No 32, 2016	No Restricted Materials Above Threshold
EU REACH Regulation (EC) No. 1907/2006	Current ECHA Candidate List: JAN 2022 (223) Candidate List Declared Against: JAN 2022 (223) Does not contain REACH SVHC
Halogen Content	Not Low Halogen - contains Br or Cl > 900 ppm.
Solder Process Capability	Not applicable for solder process capability

Product Compliance Disclaimer

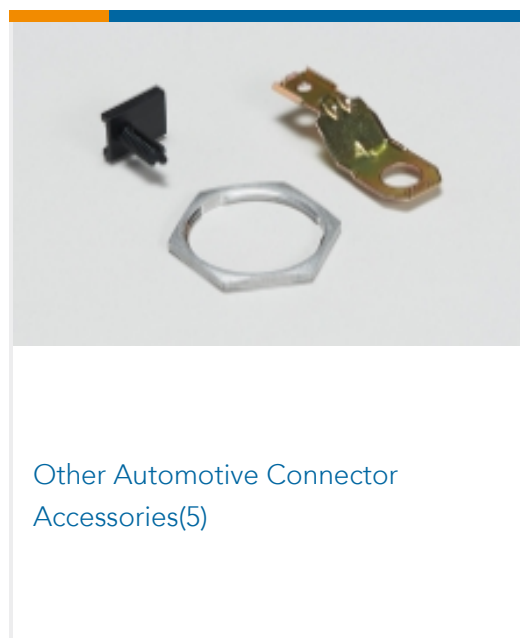
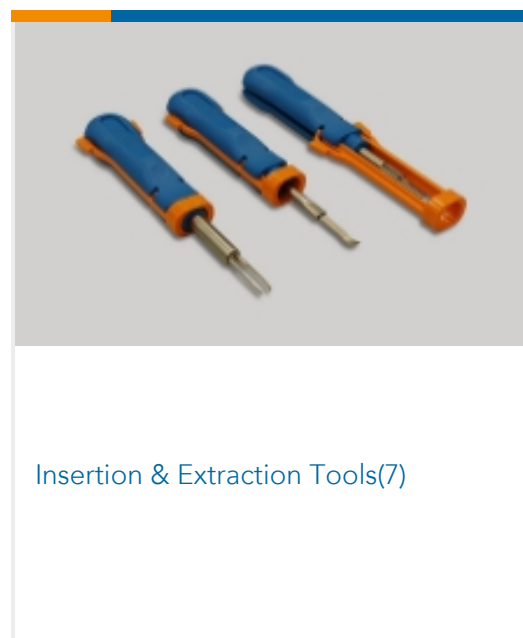
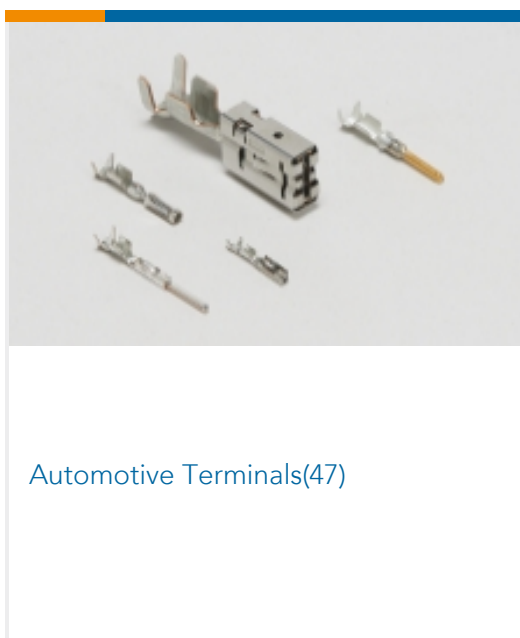
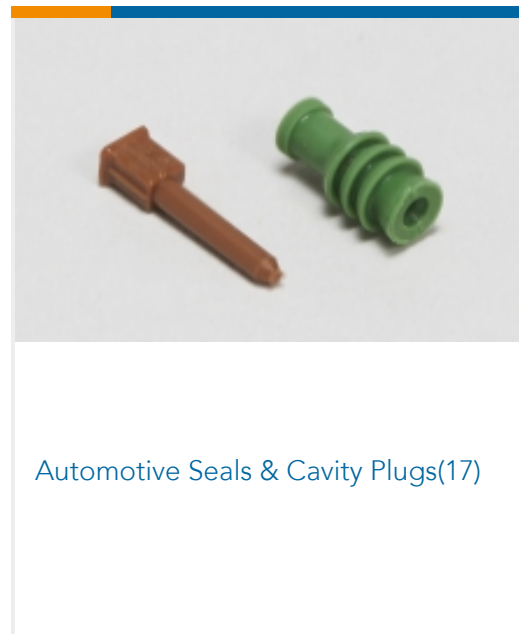
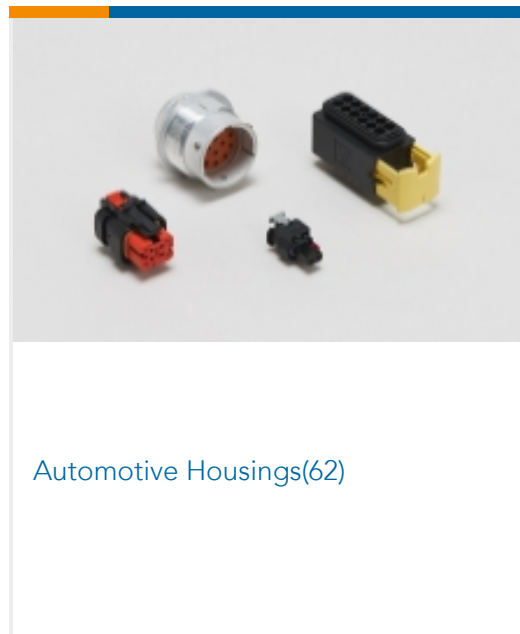
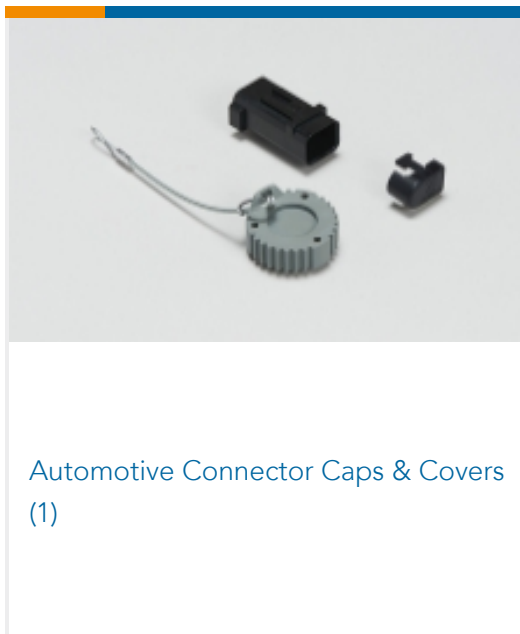
This information is provided based on reasonable inquiry of our suppliers and represents our current actual knowledge based on the information they provided. This information is subject to change. The part numbers that TE has identified as EU RoHS compliant have a maximum concentration of 0.1% by weight in homogenous materials for lead, hexavalent chromium, mercury, PBB, PBDE, DBP, BBP, DEHP, DIBP, and 0.01% for cadmium, or qualify for an exemption to these limits as defined in the Annexes of Directive 2011/65/EU (RoHS2). Finished electrical and electronic equipment products will be CE marked as required by Directive 2011/65/EU. Components may not be CE marked. Additionally, the part numbers that TE has identified as EU ELV compliant have a maximum concentration of 0.1% by weight in homogenous materials for lead, hexavalent chromium, and mercury, and 0.01% for cadmium, or qualify for an exemption to these limits as defined in the Annexes of Directive 2000/53/EC (ELV). Regarding the REACH Regulation, the information TE provides on SVHC in articles for this part number is based on the latest European Chemicals Agency (ECHA) 'Guidance on requirements for substances in articles' posted at this URL: <https://echa.europa.eu/guidance-documents/guidance-on-reach>

Compatible Parts

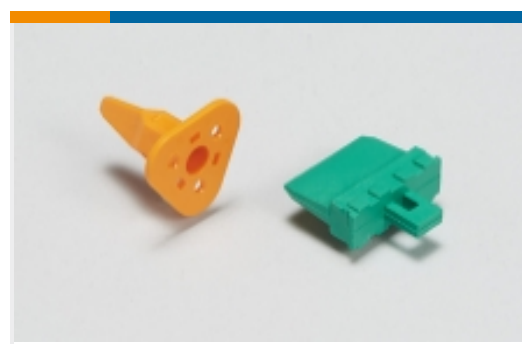
 <p>TE Part # CAT-EC7491-CH8172 ECONOSEAL, CONNECTOR HOUSING</p>	 <p>TE Part # 1-172888-3 COMPRUBBER PLUG SILICON</p>	 <p>TE Part # 900324-4 070 RUBBER PLUG S</p>	 <p>TE Part # CAT-EC7491-T273 Econoseal Receptacles and Tabs</p>
---	--	---	---



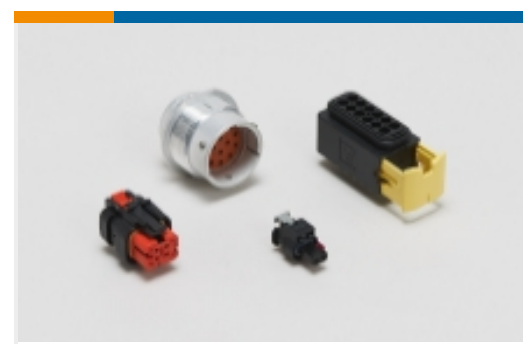
Also in the Series | Econoseal



Also in the Series | Econoseal J - 070 Mark II



Automotive Connector Locks & Position Assurance(8)

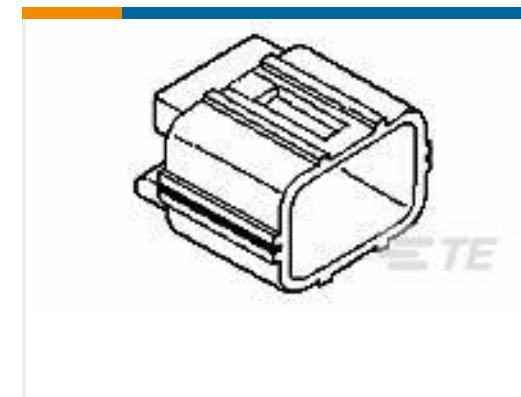
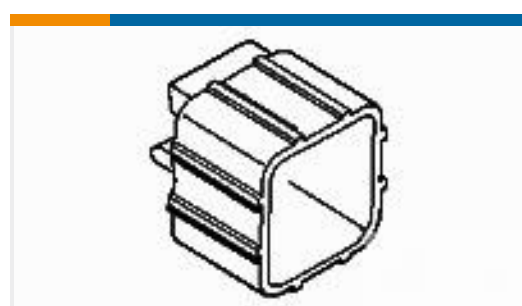


Automotive Housings(5)



Automotive Seals & Cavity Plugs(1)

Customers Also Bought

TE Part #174264-2
ECONOSEAL, CONNECTOR HOUSINGTE Part #171699-1
Econoseal Receptacles and TabsTE Part #1011-333-0205
DT BACKSHELL 90 2way recept, NV 4.5TE Part #1-174355-1
E-J MK-2 CAP HSG 2P NATURALTE Part #174265-7
ECONO-J MK-2 LOCK PLATE CAP 6PTE Part #368036-1
CLIP FOR 070 & EJ MK-II(DAEWOO)

Documents

Product Drawings

070 ECONOSEAL MARK-2 PLUG 2P

Japanese

CAD Files

Customer View Model

[ENG_CVM_CVM_174352-2_F.2d_dxf.zip](#)

English

3D PDF

3D

Customer View Model

[ENG_CVM_CVM_174352-2_F.3d_stp.zip](#)

English

Customer View Model

[ENG_CVM_CVM_174352-2_F.3d_igs.zip](#)

English

By downloading the CAD file I accept and agree to the [Terms and Conditions](#) of use.



Datasheets & Catalog Pages

Econoseal Connector Series

English

Product Specifications

Crimping of AMP-ECONOSEAL "J"-II, .070 and .250 Series Contact

English

Application Specification

English

Product Environmental Compliance

MD_174352-2_06102017333_dmtec

English

MD_174352-2_06102017333_dmtec

English

Instruction Sheets

ECONOSEAL J MARK II+ CONNECTOR (EJ-MK II+)

English

Customer Manual (non U.S.)

English

ECONOSEAL J MARK II+ CONNECTOR

English

Customer Manual (non U.S.)

English

Agency Approvals

Agency Approval Document

English