

184022-1 ✓ ACTIVE

AMP | Sealed Sensor Connector SSC System

TE Internal #: 184022-1

Housing for Female Terminals, Wire-to-Wire / Wire-to-Device / Wire-to-Board, 2 Position, .197 in [5 mm] Centerline, Sealed Sensor Connector SSC System

[View on TE.com >](#)



Connectors > Automotive Connectors > Connector Housings



Connector & Housing Type: **Housing for Female Terminals**

Connector System: **Wire-to-Board, Wire-to-Device, Wire-to-Wire**

Number of Positions: **2**

Centerline (Pitch): **5 mm [.197 in]**

Sealable: **Yes**

Features

Product Type Features

Connector & Housing Shape	Rectangular
Connector & Housing Type	Housing for Female Terminals
Connector System	Wire-to-Board, Wire-to-Device, Wire-to-Wire
Sealable	Yes
Hybrid Connector	No
Primary Locking Feature	Integrated in Housing

Configuration Features

Number of Positions	2
Number of Rows	1

Electrical Characteristics

Operating Voltage	125 VAC
Nominal Voltage Architecture	12 V, 24 V, 42 V, 48 V, 80 V, 90 V, 125 V

Body Features

Cable Exit Angle	180°
Body Material	PBT GF
Primary Product Color	Black
Connector Code	M



Contact Features

Contact Size	1.8mm
--------------	-------

Mechanical Attachment

Mounting Feature	Without
Terminal Position Assurance	No
Strain Relief	Without
Mating Alignment Type	Keyed
Mating Alignment	With
Connector Mounting Type	Cable Mount (Free-Hanging)

Housing Features

Centerline (Pitch)	5 mm [.197 in]
--------------------	----------------

Dimensions

Product Width	24.05 mm [.947 in]
Product Length	22 mm [.87 in]
Product Height	27.6 mm [1.09 in]

Usage Conditions

Operating Temperature (Max)	70 °C, 75 °C, 80 °C, 85 °C, 90 °C, 100 °C, 105 °C, 110 °C, 120 °C, 125 °C [158 °F][167 °F][176 °F][185 °F][194 °F][212 °F][221 °F][230 °F][248 °F][257 °F]
Operating Temperature Range	-40 – 125 °C [-40 – 257 °F]

Industry Standards

UL Flammability Rating	UL 94HB
------------------------	---------

Packaging Features

Packaging Quantity	1
Packaging Method	Package

Other

Serviceable	Yes
Connector Position Assurance Capable	No

Product Compliance

[For compliance documentation, visit the product page on TE.com>](#)

EU RoHS Directive 2011/65/EU	Compliant
------------------------------	-----------



EU ELV Directive 2000/53/EC	Compliant
China RoHS 2 Directive MIIT Order No 32, 2016	No Restricted Materials Above Threshold
EU REACH Regulation (EC) No. 1907/2006	Current ECHA Candidate List: JAN 2022 (223) Candidate List Declared Against: JUL 2021 (219) SVHC > Threshold: Not Yet Reviewed
Halogen Content	Not Yet Reviewed for halogen content
Solder Process Capability	Not reviewed for solder process capability

Product Compliance Disclaimer

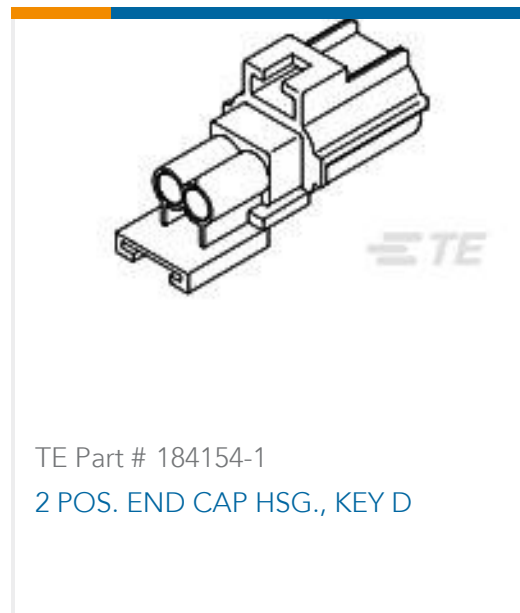
This information is provided based on reasonable inquiry of our suppliers and represents our current actual knowledge based on the information they provided. This information is subject to change. The part numbers that TE has identified as EU RoHS compliant have a maximum concentration of 0.1% by weight in homogenous materials for lead, hexavalent chromium, mercury, PBB, PBDE, DBP, BBP, DEHP, DIBP, and 0.01% for cadmium, or qualify for an exemption to these limits as defined in the Annexes of Directive 2011/65/EU (RoHS2). Finished electrical and electronic equipment products will be CE marked as required by Directive 2011/65/EU. Components may not be CE marked. Additionally, the part numbers that TE has identified as EU ELV compliant have a maximum concentration of 0.1% by weight in homogenous materials for lead, hexavalent chromium, and mercury, and 0.01% for cadmium, or qualify for an exemption to these limits as defined in the Annexes of Directive 2000/53/EC (ELV). Regarding the REACH Regulation, the information TE provides on SVHC in articles for this part number is based on the latest European Chemicals Agency (ECHA) 'Guidance on requirements for substances in articles' posted at this URL: <https://echa.europa.eu/guidance-documents/guidance-on-reach>

Compatible Parts

 <p>TE Part # 184060-1 6 POS./6 CIRC PLUG ASSY, KEY A</p>	 <p>TE Part # 184030-3 RECPT, CONTACT 070, PTPPHBZ</p>	 <p>TE Part # 184002-1 2 POS. PLUG ASSY, KEY B, GRAY</p>	 <p>TE Part # 184030-1 RECPT, CONTACT 070, AUPHBZ</p>
 <p>TE Part # 184141-1 WIRE SEAL,RUBBER,SENSOR,PURPLE, LIM</p>	 <p>TE Part # 184095-1 RECPT, CONTACT .070, AUPHBZ</p>	 <p>TE Part # 184140-1 WIRE SEAL,RUBBER,SENSOR, ORANGE</p>	 <p>TE Part # 184095-2 RECPT, CONTACT .070, PTPPHBZ</p>



TE Part # 184139-1
WIRE SEAL, RUBBER, SENSOR, BLUE



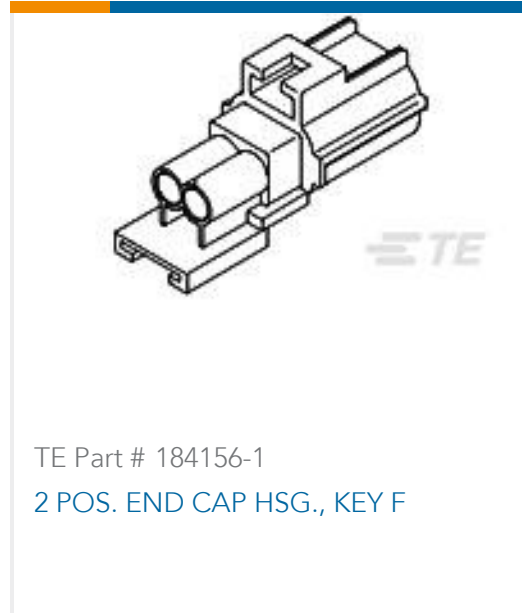
TE Part # 184154-1
2 POS. END CAP HSG., KEY D



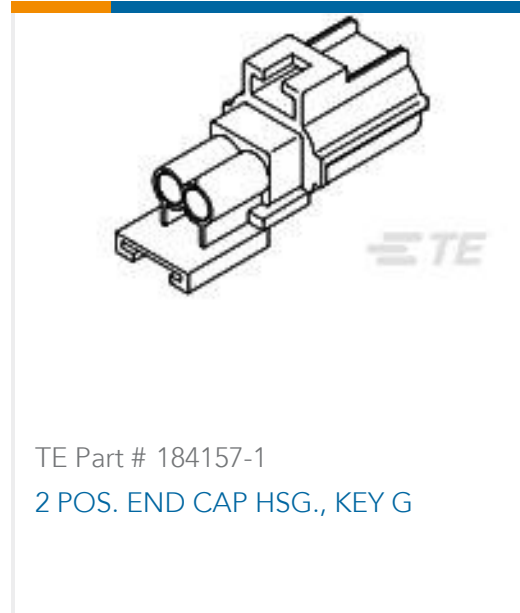
TE Part # 184373-2
CONTACT, RECEPTACLE, .070 TYPE



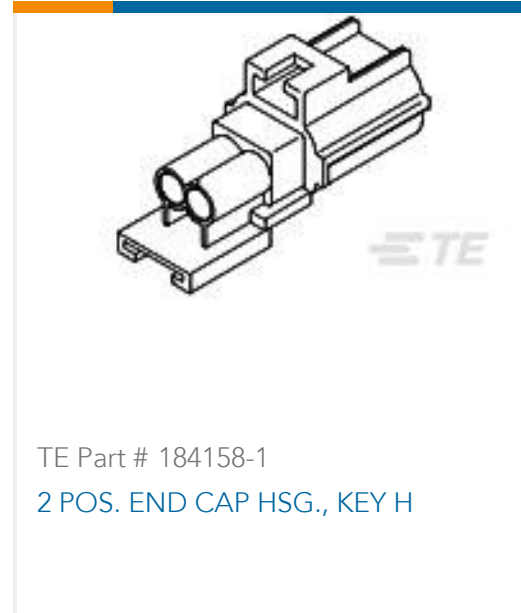
TE Part # 184152-1
2 POS. END CAP HSG., KEY B



TE Part # 184156-1
2 POS. END CAP HSG., KEY F



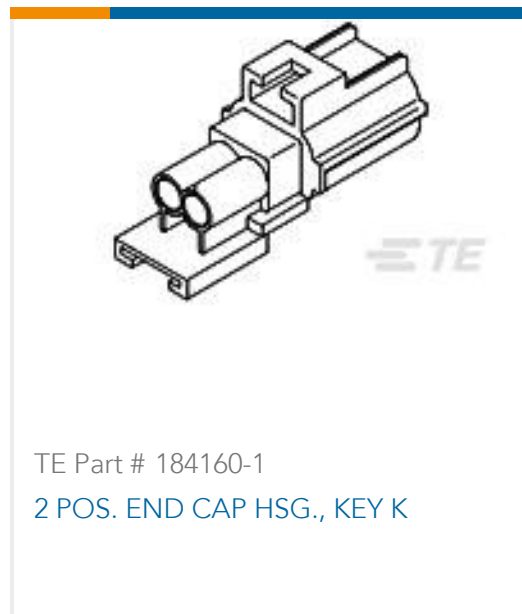
TE Part # 184157-1
2 POS. END CAP HSG., KEY G



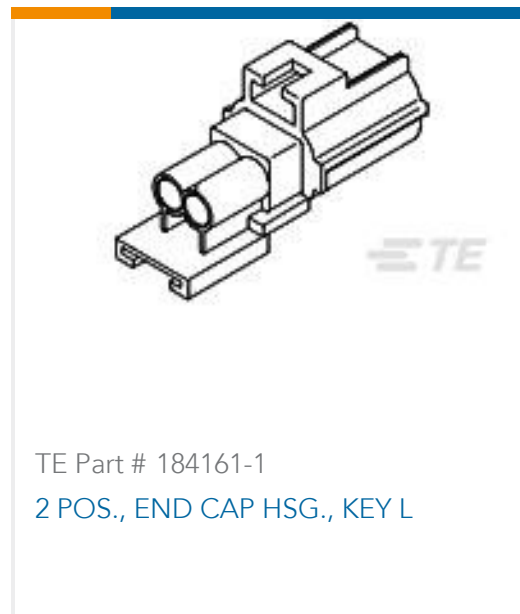
TE Part # 184158-1
2 POS. END CAP HSG., KEY H



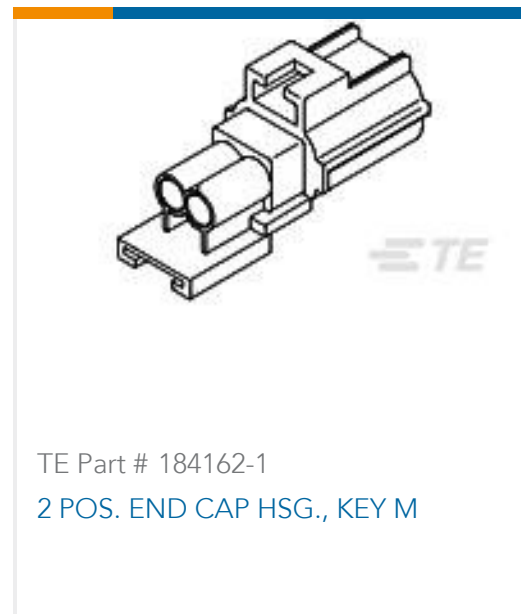
TE Part # 184159-1
2 POS. END CAP HSG., KEY J



TE Part # 184160-1
2 POS. END CAP HSG., KEY K



TE Part # 184161-1
2 POS., END CAP HSG., KEY L

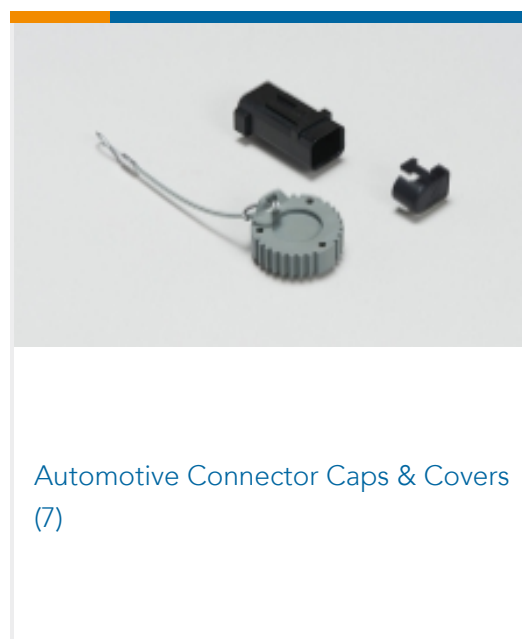


TE Part # 184162-1
2 POS. END CAP HSG., KEY M

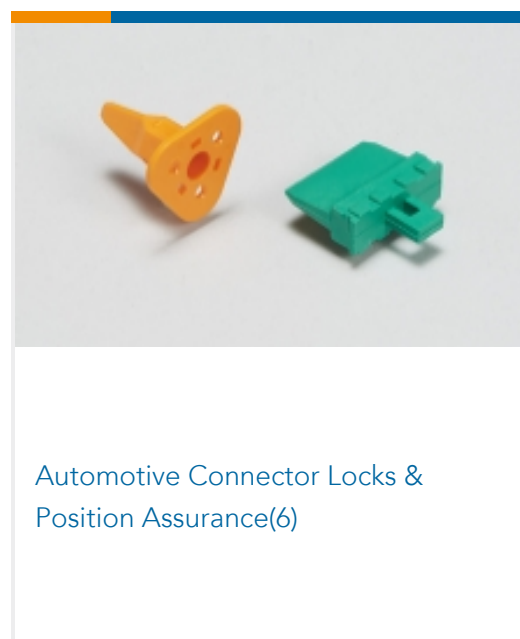


TE Part # 184169-1
2 POS. CAP HSG., KEY G

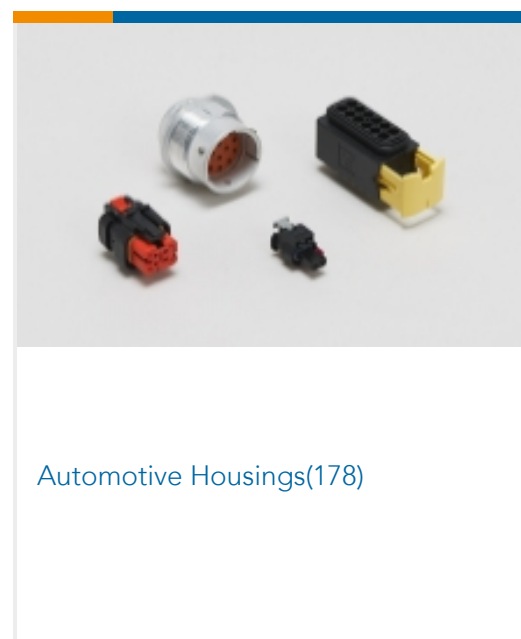
Also in the Series | Sealed Sensor Connector SSC System



Automotive Connector Caps & Covers (7)



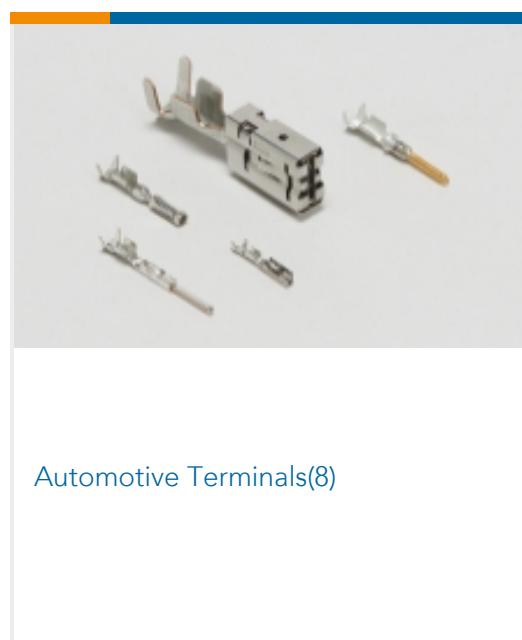
Automotive Connector Locks & Position Assurance (6)



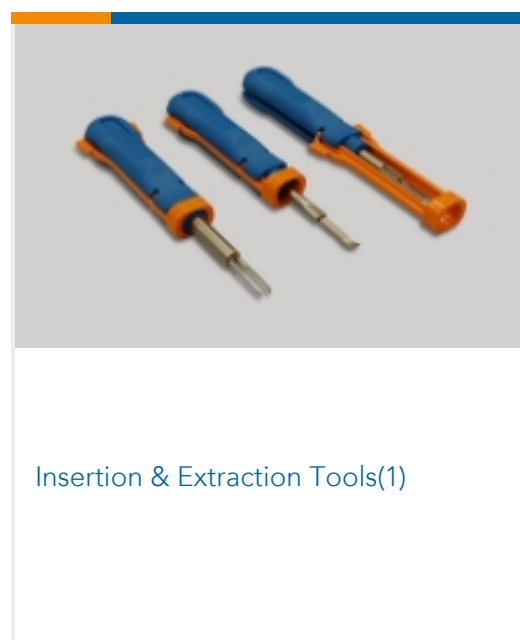
Automotive Housings (178)



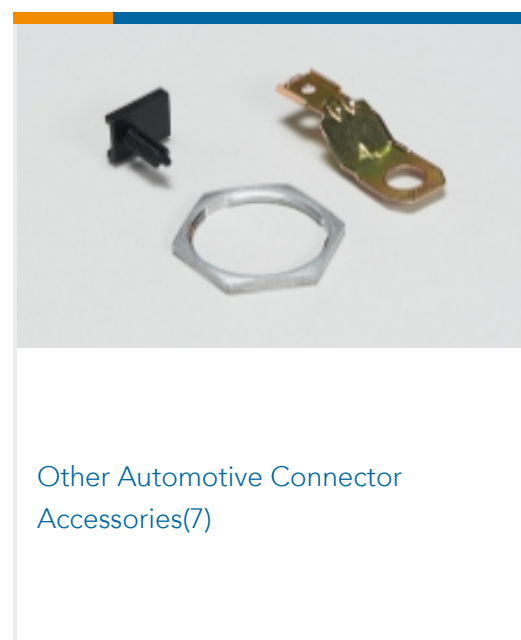
Automotive Seals & Cavity Plugs (3)



Automotive Terminals (8)



Insertion & Extraction Tools (1)



Other Automotive Connector Accessories (7)

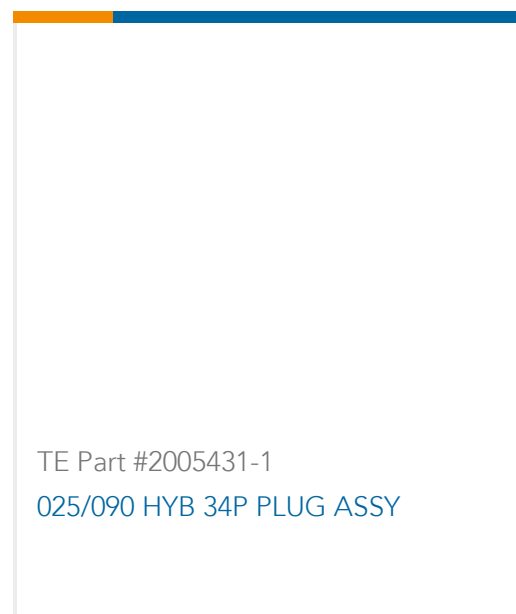
Customers Also Bought



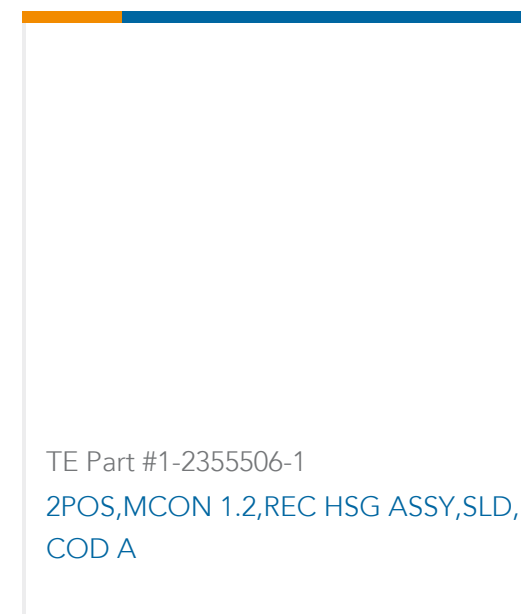
TE Part #5-967629-1
TAB HOUSING, 2.8MM, 18POS.



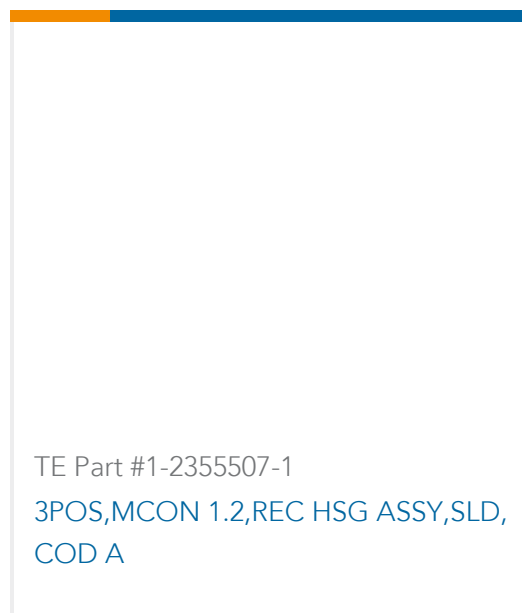
TE Part #2-967167-6
MOS ST-GEH ASSY 3P



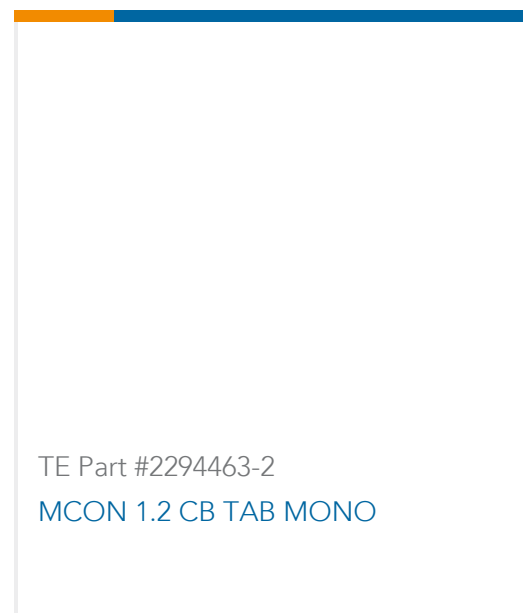
TE Part #2005431-1
025/090 HYB 34P PLUG ASSY



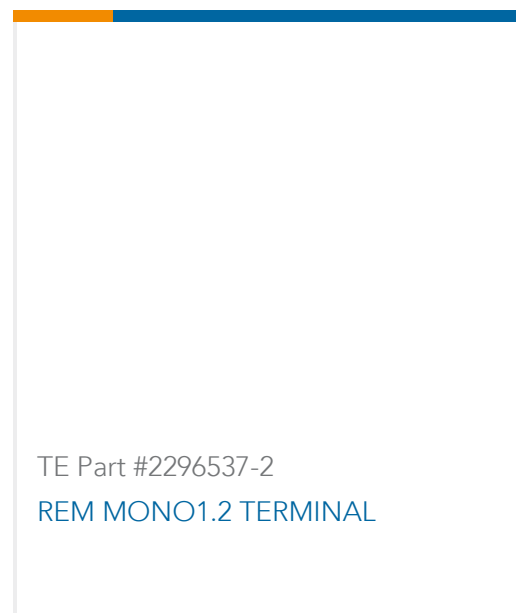
TE Part #1-2355506-1
2POS,MCON 1.2,REC HSG ASSY,SLD,
COD A



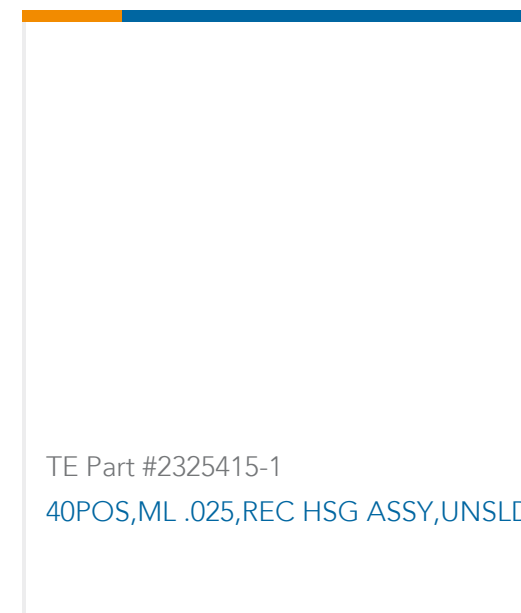
TE Part #1-2355507-1
3POS,MCON 1.2,REC HSG ASSY,SLD,
COD A



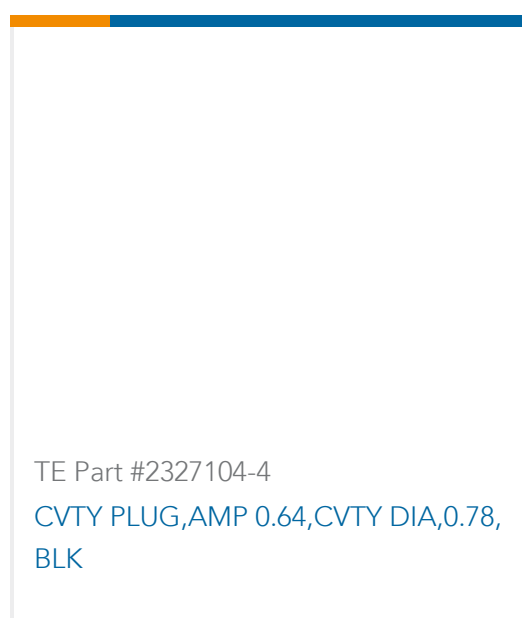
TE Part #2294463-2
MCON 1.2 CB TAB MONO



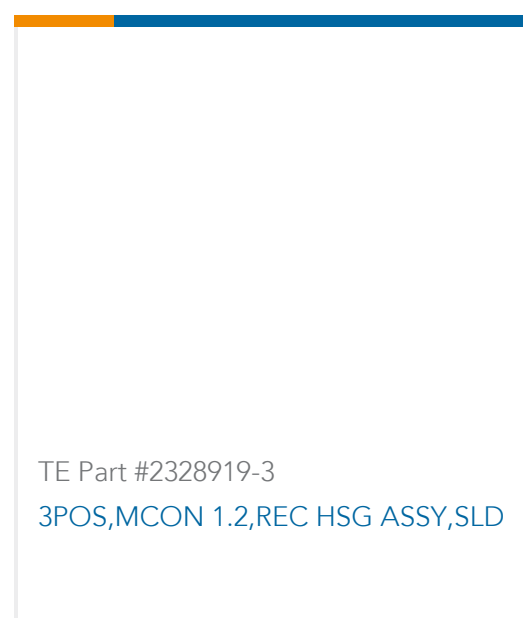
TE Part #2296537-2
REM MONO1.2 TERMINAL



TE Part #2325415-1
40POS,ML .025,REC HSG ASSY,UNSLD



TE Part #2327104-4
CVTY PLUG,AMP 0.64,CVTY DIA,0.78,
BLK



TE Part #2328919-3
3POS,MCON 1.2,REC HSG ASSY,SLD

Documents

Product Drawings

[2 POS. PLUG ASSY, KEY M, BLACK](#)

English

CAD Files

[3D PDF](#)

3D

Customer View Model

[ENG_CVM_CVM_184022-1_B.2d_dxf.zip](#)

English

Customer View Model

[ENG_CVM_CVM_184022-1_B.3d_igs.zip](#)

English

Customer View Model

[ENG_CVM_CVM_184022-1_B.3d_stp.zip](#)

English

By downloading the CAD file I accept and agree to the [Terms and Conditions](#) of use.

Product Specifications



Application Specification

English

Product Environmental Compliance

Product Compliance

English

Product Compliance

English

Instruction Sheets

Instruction Sheet (U.S.)

English

Positioning the Double Lock Plate

English