

1488991-2 ✓ ACTIVE

## MCON Interconnection System

TE Internal #: 1488991-2

Housing for Female Terminals, Wire-to-Device / Wire-to-Board / Wire-to-Wire, 3 Position, .157 in [4 mm] Centerline, MCON Interconnection System

[View on TE.com >](#)



Connectors > Automotive Connectors > Connector Housings > MCON, CONNECTOR HOUSING



Connector & Housing Type: **Housing for Female Terminals**

Mating Tab Width: **1.2 mm [ .047 in ]**

Connector System: **Wire-to-Board, Wire-to-Device, Wire-to-Wire**

Number of Positions: **3**

Centerline (Pitch): **4 mm [ .157 in ]**

[All MCON, CONNECTOR HOUSING \(283\)](#)

## Features

### Product Type Features

Connector & Housing Shape	Rectangular
Connector & Housing Type	Housing for Female Terminals
Connector System	Wire-to-Board, Wire-to-Device, Wire-to-Wire
Sealable	Yes
Hybrid Connector	No
Primary Locking Feature	Integrated in Housing

### Configuration Features

Number of Positions	3
Number of Rows	1

### Body Features

Body Material	PA GF
Primary Product Color	Black
Connector Code	B

### Contact Features

Contact Size	1.2mm
Contact Type	Receptacle



Mating Tab Width	1.2 mm[.047 in]
------------------	-----------------

### Mechanical Attachment

Mounting Feature	Without
Terminal Position Assurance	Yes
Strain Relief	Add By Accessory
Mating Alignment Type	Keyed
Mating Alignment	With
Connector Mounting Type	Cable Mount (Free-Hanging)

### Housing Features

Centerline (Pitch)	4 mm[.157 in]
--------------------	---------------

### Dimensions

Product Width	26.5 mm[1.043 in]
Product Length	19 mm[.748 in]
Product Height	15.6 mm[.614 in]

### Usage Conditions

Operating Temperature (Max)	70 °C, 75 °C, 80 °C, 85 °C, 90 °C, 100 °C, 105 °C, 110 °C, 120 °C, 125 °C[158 °F][167 °F][176 °F][185 °F][194 °F][212 °F][221 °F][230 °F][248 °F][257 °F]
Operating Temperature Range	-40 – 125 °C[-40 – 257 °F]

### Operation/Application

Circuit Application	Signal
---------------------	--------

### Industry Standards

Degree of Protection	IP67
----------------------	------

### Packaging Features

Packaging Quantity	1
Packaging Method	Package

### Other

Serviceable	Yes
Connector Position Assurance Capable	No

### Product Compliance

[For compliance documentation, visit the product page on TE.com>](#)



EU RoHS Directive 2011/65/EU	Compliant
EU ELV Directive 2000/53/EC	Compliant
China RoHS 2 Directive MIIT Order No 32, 2016	No Restricted Materials Above Threshold
EU REACH Regulation (EC) No. 1907/2006	Current ECHA Candidate List: JAN 2022 (223) Candidate List Declared Against: JUL 2021 (219) SVHC > Threshold: Not Yet Reviewed
Halogen Content	Low Halogen - Br, Cl, F, I < 900 ppm per homogenous material. Also BFR/CFR/PVC Free
Solder Process Capability	Not applicable for solder process capability

Product Compliance Disclaimer

This information is provided based on reasonable inquiry of our suppliers and represents our current actual knowledge based on the information they provided. This information is subject to change. The part numbers that TE has identified as EU RoHS compliant have a maximum concentration of 0.1% by weight in homogenous materials for lead, hexavalent chromium, mercury, PBB, PBDE, DBP, BBP, DEHP, DIBP, and 0.01% for cadmium, or qualify for an exemption to these limits as defined in the Annexes of Directive 2011/65/EU (RoHS2). Finished electrical and electronic equipment products will be CE marked as required by Directive 2011/65/EU. Components may not be CE marked. Additionally, the part numbers that TE has identified as EU ELV compliant have a maximum concentration of 0.1% by weight in homogenous materials for lead, hexavalent chromium, and mercury, and 0.01% for cadmium, or qualify for an exemption to these limits as defined in the Annexes of Directive 2000/53/EC (ELV). Regarding the REACH Regulation, the information TE provides on SVHC in articles for this part number is based on the latest European Chemicals Agency (ECHA) 'Guidance on requirements for substances in articles' posted at this URL: <https://echa.europa.eu/guidance-documents/guidance-on-reach>

## Compatible Parts

TE Part # 964972-1  
EINZELLEITERDICHTNG

TE Part # 963143-1  
MQS BLINDSTOPFEN

TE Part # 967067-2  
MQS EINZELLEITDICHT

TE Part # CAT-M4595-T273  
MCON, RECEPTACLE AND TAB

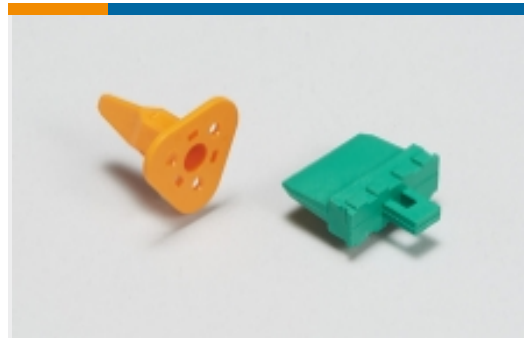
TE Part # 967056-1  
MQS BLINDSTOPFEN4MM

TE Part # 967067-1  
MQS SGL WIRE SEAL

## Also in the Series | MCON Interconnection System



Automotive Connector Caps & Covers (24)



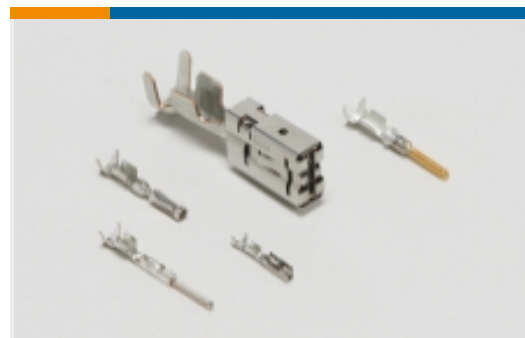
Automotive Connector Locks & Position Assurance(11)



Automotive Housings(288)



Automotive Seals & Cavity Plugs(4)



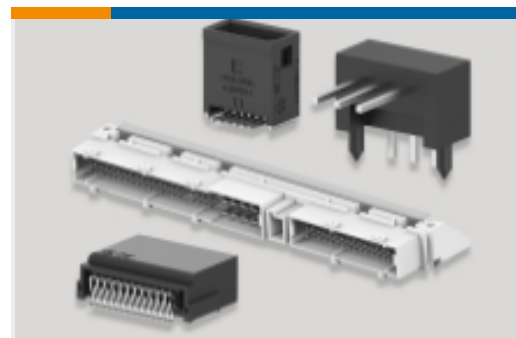
Automotive Terminals(113)



Insertion & Extraction Tools(31)

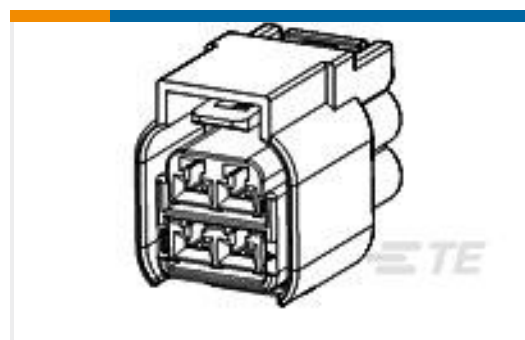


Other Automotive Connector Accessories(6)

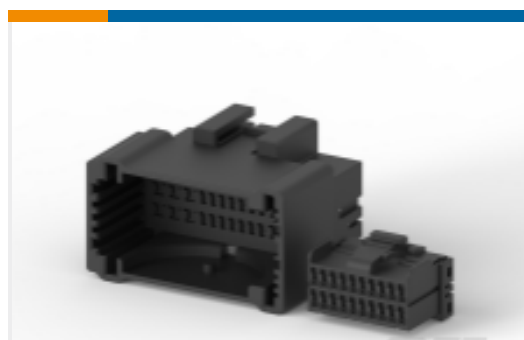


PCB Headers & Receptacles(1)

## Customers Also Bought



TE Part #936254-2  
MCP-E SLD 4P PLUG ASSY BLK



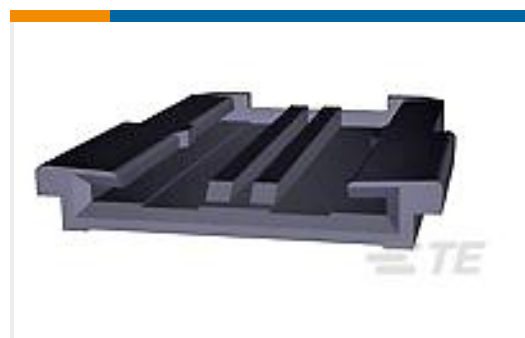
TE Part #936098-1  
MULTILOCK, CONNECTOR HOUSING



TE Part #2209441-1  
2W SPLASH PROOF CONN. W.S.L. JPT



TE Part #2301239-1  
DTB TAB HSG ASSY, 49POSN., FAKRA TYPE



TE Part #1393449-1  
V23540A1000Y452=VERSCHL.26P.



TE Part #2299987-3  
65W PLUG ASSEMBLY



TE Part #2299987-4  
65W PLUG ASSEMBLY



TE Part #368482-1  
ABS CONN PLUG 25P ASSY(MANDO)

## Documents

### Product Drawings

[3POS, MCON 1.2 CB REC 2p TL SEALED](#)

English

[3POS, MCON 1.2 CB REC 2p TL SEALED](#)

English

### CAD Files



**Customer View Model**

[ENG\\_CVM\\_CVM\\_1488991-2\\_D.2d\\_dxf.zip](#)

English

**3D PDF**

3D

**Customer View Model**

[ENG\\_CVM\\_CVM\\_1488991-2\\_D.3d\\_igs.zip](#)

English

**Customer View Model**

[ENG\\_CVM\\_CVM\\_1488991-2\\_D.3d\\_stp.zip](#)

English

By downloading the CAD file I accept and agree to the [Terms and Conditions](#) of use.

---

**Datasheets & Catalog Pages**

[MCON Interconnection System](#)

English

---

**Instruction Sheets**

[Instruction Sheet \(U.S.\)](#)

English

[Instruction Sheet \(U.S.\)](#)

English