

171630-1 ✓ ACTIVE

AMP | Econoseal

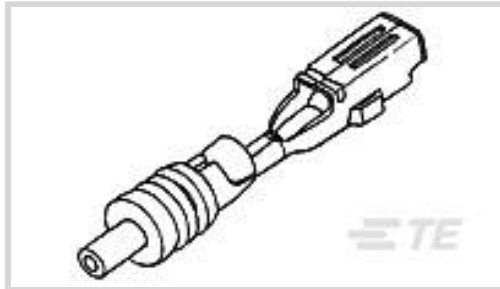
TE Internal #: 171630-1

Automotive Terminals, Receptacle, Mating Tab Width 1.8 mm [.071 in], Tab Thickness .025 in [.64 mm], 24 – 20 AWG Wire Size, Econoseal

[View on TE.com >](#)



Terminals & Splices > Automotive Terminals > Econoseal Receptacles and Tabs



Terminal Type: **Receptacle**

Mating Tab Width: **1.8 mm [.071 in]**

Mating Tab Thickness: **.64 mm [.025 in]**

Terminal Transmits: **0 – 24 A (Low Power)**

Wire Size: **24 – 20 AWG**

[All Econoseal Receptacles and Tabs \(45\)](#)

Features

Product Type Features

Receptacle Style	180°
Sealable	Yes
Primary Locking Feature	Clean Body

Body Features

Terminal Seal Type	Single Wire Seal (SWS)
--------------------	------------------------

Contact Features

Typical Current Rating	6 A
Crimp Type	F-Crimp
Terminal Type	Receptacle
Mating Tab Width	1.8 mm [.071 in]
Mating Tab Thickness	.64 mm [.025 in]
Interface Plating	Tin (Sn)
Contact Termination Area Plating Material	Tin (Sn)

Termination Features

Termination Method to Wire & Cable	Crimp
Product Terminates To	Wire



Dimensions

Wire Size	.2 – .5 mm ²
Wire Size Search	20 AWG, 21 AWG, 22 AWG, 23 AWG, 24 AWG
Wire Insulation Diameter	1.5 – 2.2 mm [.055 – .094 in]

Usage Conditions

Insulation Option	Uninsulated
Operating Temperature (Max)	80 °C, 85 °C, 90 °C, 100 °C, 105 °C [176 °F] [185 °F][194 °F][212 °F][221 °F]
Operating Temperature Range	-30 – 105 °C [-22 – 221 °F]

Operation/Application

Compatible With Wire Base Material	Copper
------------------------------------	--------

Packaging Features

Packaging Method	Reel
Packaging Quantity	6000

Other

Terminal Transmits	0 – 24 A (Low Power)
--------------------	----------------------

Product Compliance

[For compliance documentation, visit the product page on TE.com>](#)

EU RoHS Directive 2011/65/EU	Compliant
EU ELV Directive 2000/53/EC	Compliant
China RoHS 2 Directive MIIT Order No 32, 2016	No Restricted Materials Above Threshold
EU REACH Regulation (EC) No. 1907/2006	Current ECHA Candidate List: JAN 2022 (223) Candidate List Declared Against: JAN 2022 (223) Does not contain REACH SVHC
Halogen Content	Low Halogen - Br, Cl, F, I < 900 ppm per homogenous material. Also BFR/CFR/PVC Free
Solder Process Capability	Not applicable for solder process capability

Product Compliance Disclaimer

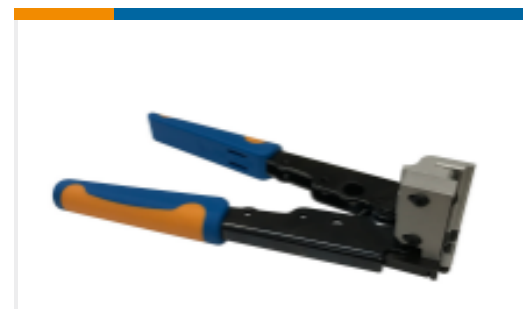
This information is provided based on reasonable inquiry of our suppliers and represents our current actual knowledge based on the information they provided. This information is subject to change. The part numbers that TE has identified as EU RoHS compliant have a maximum concentration of 0.1% by weight in homogenous materials for lead, hexavalent

chromium, mercury, PBB, PBDE, DBP, BBP, DEHP, DIBP, and 0.01% for cadmium, or qualify for an exemption to these limits as defined in the Annexes of Directive 2011/65/EU (RoHS2). Finished electrical and electronic equipment products will be CE marked as required by Directive 2011/65/EU. Components may not be CE marked. Additionally, the part numbers that TE has identified as EU ELV compliant have a maximum concentration of 0.1% by weight in homogenous materials for lead, hexavalent chromium, and mercury, and 0.01% for cadmium, or qualify for an exemption to these limits as defined in the Annexes of Directive 2000/53/EC (ELV). Regarding the REACH Regulation, the information TE provides on SVHC in articles for this part number is based on the latest European Chemicals Agency (ECHA) 'Guidance on requirements for substances in articles' posted at this URL: <https://echa.europa.eu/guidance-documents/guidance-on-reach>

Compatible Parts



TE Part # 1-172888-3
COMPRUBBER PLUG SILICON



TE Part # 2305570-1
TERMINAL CUTTER, SIDE FEED



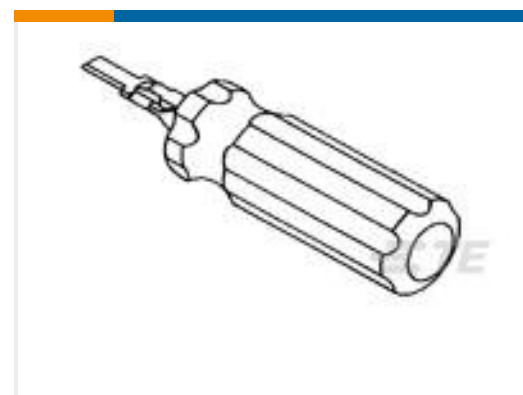
TE Part # CAT-EC7491-CH8172
ECONOSEAL, CONNECTOR HOUSING



TE Part # CAT-EC7491-T273
Econoseal Receptacles and Tabs



TE Part # 2066042-1
12 POS.ECONOSEAL PLUG HSG ASSY JMARK II+



TE Part # 937313-1
EXT-TOOL



TE Part # 91563-1
CCII 070 TYPE REC TAB 24-20 ASSY



TE Part # 2822357-1
070 CAVITY PLUG



TE Part # 2822352-1
070 TYPE RUBBER PLUG



TE Part # 172888-1
070 RUBBER PLUG



TE Part # 2-2151105-1
OCEAN_2.0_Applicator-S-062F1340



TE Part # 2-2151105-2
OCEAN_2.0_Applicator-S-062F1340



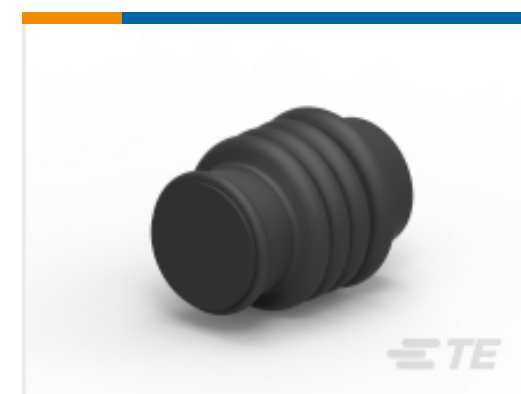
TE Part # 2151105-1
OCEAN_2.0_Applicator-S-062F1340



TE Part # 2151105-2
OCEAN_2.0_Applicator-S-062F1340



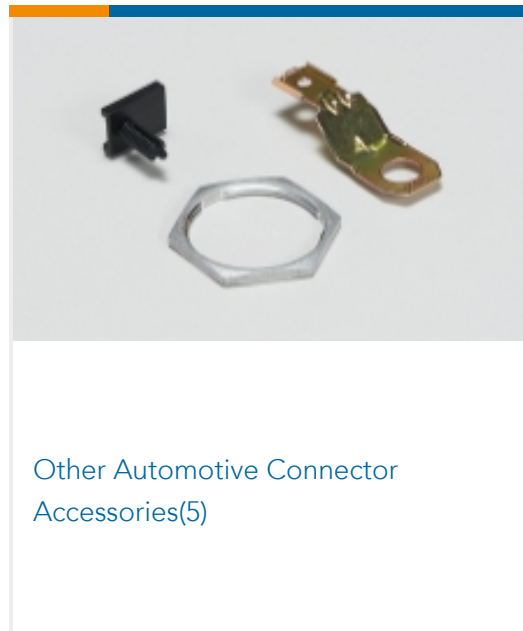
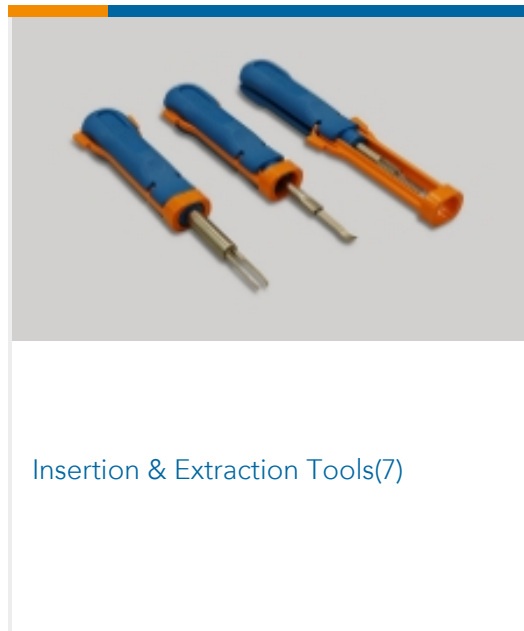
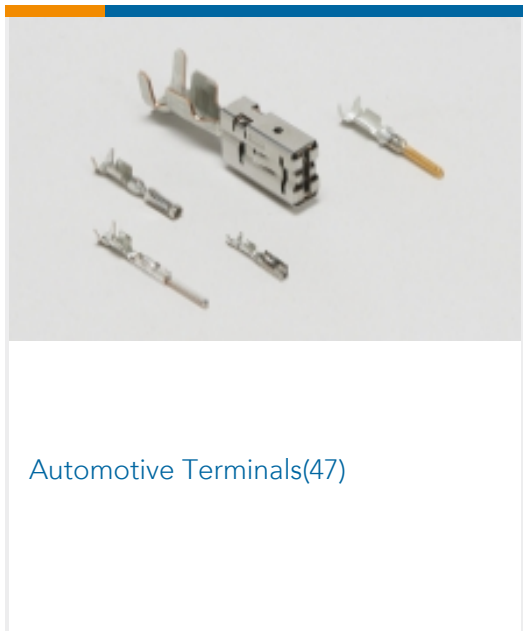
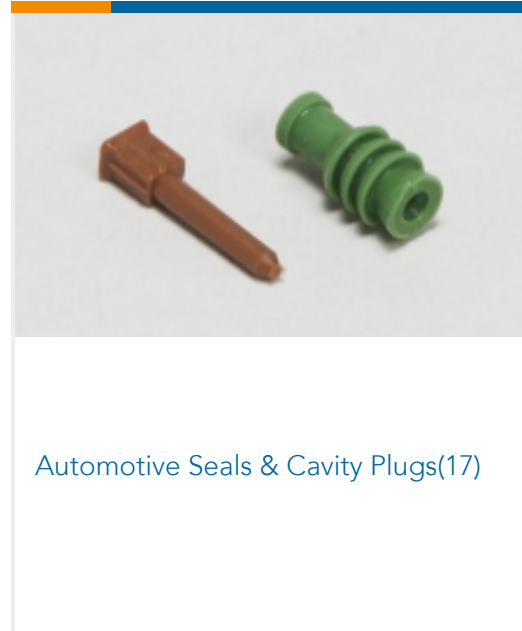
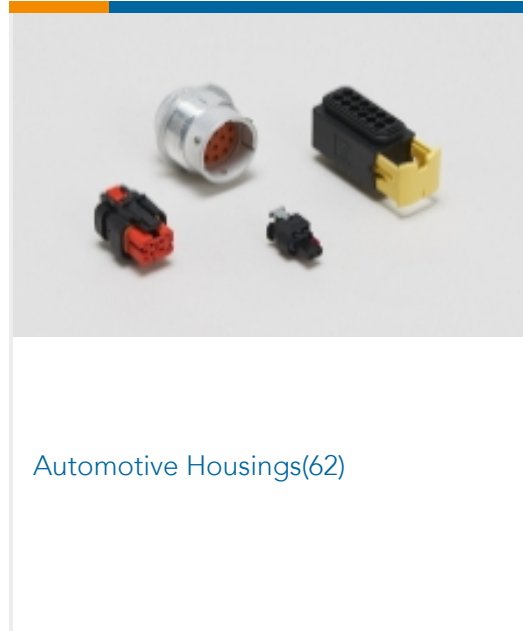
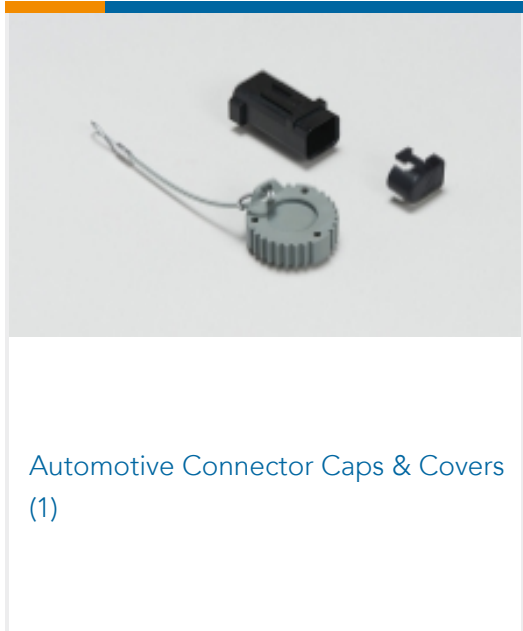
TE Part # 2822352-2
070 TYPE RUBBER PLUG



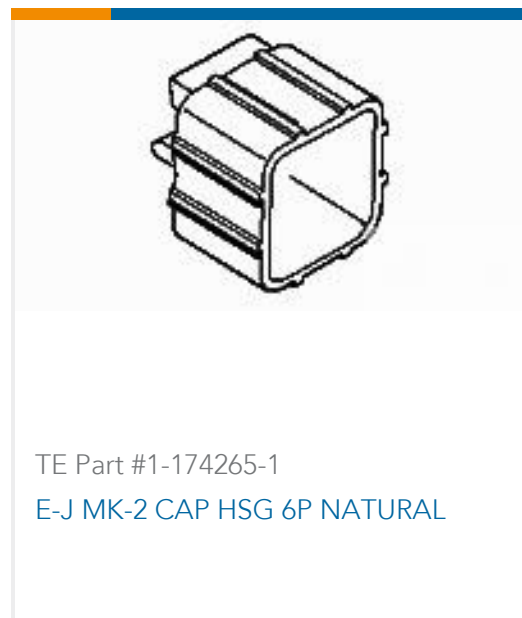
TE Part # 2822358-1
250 TYPE CAVITY PLUG

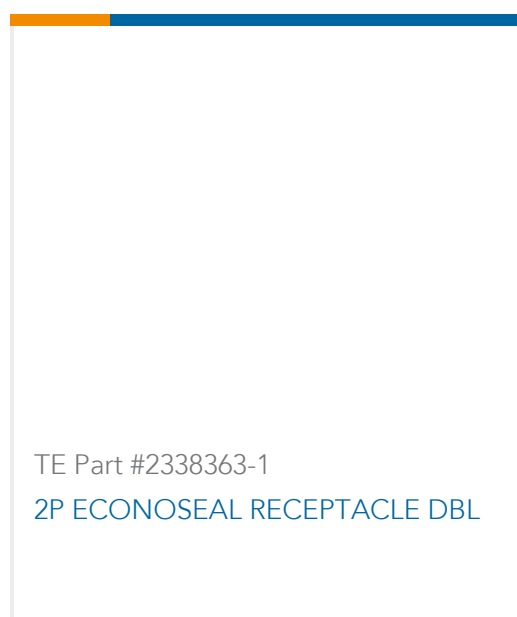


Also in the Series | Econoseal



Customers Also Bought





Documents

Product Drawings

[E-J MK-2 070 REC CONT](#)

English

CAD Files

Customer View Model

[ENG_CVM_171630-1_E2.3d_igs.zip](#)

English

Customer View Model

[ENG_CVM_171630-1_E2.3d_stp.zip](#)

English

Customer View Model

[ENG_CVM_171630-1_E2.2d_dxf.zip](#)

English

3D PDF

English

By downloading the CAD file I accept and agree to the [Terms and Conditions](#) of use.

Datasheets & Catalog Pages

[Econoseal Connector Series](#)

English

Product Specifications

[Crimping of AMP-ECONOSEAL "J"-II, .070 and .250 Series Contact](#)

English

[Application Specification](#)

English

[Econoseal J Series Connectors <Mark II\(+\)> .070 Series Contact](#)

Japanese

[Application Specification](#)

Japanese

Product Environmental Compliance

[MD_171630-1_06102017332_dmtec](#)

English

[MD_171630-1_06102017332_dmtec](#)



English

Instruction Sheets

ECONOSEAL J MARK II+ CONNECTOR (EJ-MK II+)

English

Customer Manual (non U.S.)

English

ECONOSEAL J MARK II+ CONNECTOR

English

Customer Manual (non U.S.)

English