

172200-1 ✓ ACTIVE

AMP | Econoseal, Econoseal J - Mark II

TE Internal #: 172200-1

Automotive Seals & Cavity Plugs, Facial Seal, Other, Black, -30 – 105 °C [-22 – 221 °F], Econoseal J - Mark II

[View on TE.com >](#)



Connectors > Automotive Connectors > Seals & Cavity Plugs



Connector Seal Type: **Facial Seal**

Accepts Cable Insulation Diameter Range: **2 – 3.4 mm [ .079 – .134 in ]**

Seal Material: **Other**

Operating Temperature (Max): **65 °C, 70 °C, 75 °C, 80 °C, 85 °C, 90 °C, 100 °C, 105 °C [ 149 °F, 158 °F, 167 °F, 176 °F, 185 °F, 194 °F, 212 °F, 221 °F ]**

Primary Product Color: **Black**

## Features

### Product Type Features

Connector Seal Type	Facial Seal
---------------------	-------------

### Body Features

Seal Material	Other
Primary Product Color	Black

### Dimensions

Accepts Cable Insulation Diameter Range	2 – 3.4 mm [.079 – .134 in]
---	-----------------------------

### Usage Conditions

Operating Temperature (Max)	65 °C, 70 °C, 75 °C, 80 °C, 85 °C, 90 °C, 100 °C, 105 °C [149 °F][158 °F][167 °F][176 °F][185 °F][194 °F][212 °F][221 °F]
Operating Temperature Range	-30 – 105 °C [-22 – 221 °F]

### Packaging Features

Packaging Quantity	500
Packaging Method	Bag

## Product Compliance

[For compliance documentation, visit the product page on TE.com>](#)

EU RoHS Directive 2011/65/EU	Compliant
EU ELV Directive 2000/53/EC	Compliant
China RoHS 2 Directive MIIT Order No 32, 2016	No Restricted Materials Above Threshold
EU REACH Regulation (EC) No. 1907/2006	Current ECHA Candidate List: JAN 2022 (223) Candidate List Declared Against: JAN 2022 (223) Does not contain REACH SVHC
Halogen Content	Low Halogen - Br, Cl, F, I < 900 ppm per homogenous material. Also BFR/CFR/PVC Free
Solder Process Capability	Not applicable for solder process capability

### Product Compliance Disclaimer

This information is provided based on reasonable inquiry of our suppliers and represents our current actual knowledge based on the information they provided. This information is subject to change. The part numbers that TE has identified as EU RoHS compliant have a maximum concentration of 0.1% by weight in homogenous materials for lead, hexavalent chromium, mercury, PBB, PBDE, DBP, BBP, DEHP, DIBP, and 0.01% for cadmium, or qualify for an exemption to these limits as defined in the Annexes of Directive 2011/65/EU (RoHS2). Finished electrical and electronic equipment products will be CE marked as required by Directive 2011/65/EU. Components may not be CE marked. Additionally, the part numbers that TE has identified as EU ELV compliant have a maximum concentration of 0.1% by weight in homogenous materials for lead, hexavalent chromium, and mercury, and 0.01% for cadmium, or qualify for an exemption to these limits as defined in the Annexes of Directive 2000/53/EC (ELV). Regarding the REACH Regulation, the information TE provides on SVHC in articles for this part number is based on the latest European Chemicals Agency (ECHA) 'Guidance on requirements for substances in articles' posted at this URL: <https://echa.europa.eu/guidance-documents/guidance-on-reach>

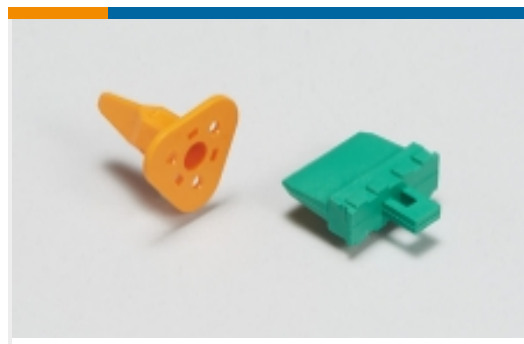
## Compatible Parts



Also in the Series | [Econoseal](#)



Automotive Connector Caps & Covers (1)



Automotive Connector Locks & Position Assurance(25)



Automotive Housings(62)



Automotive Seals & Cavity Plugs(17)



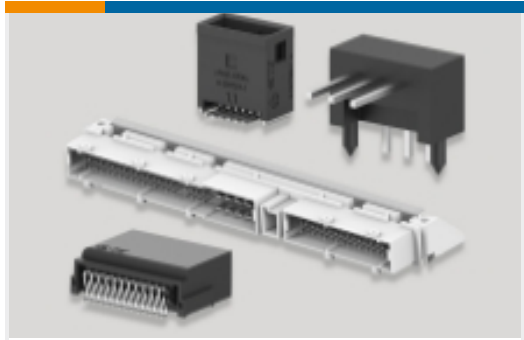
Automotive Terminals(47)



Insertion & Extraction Tools(7)

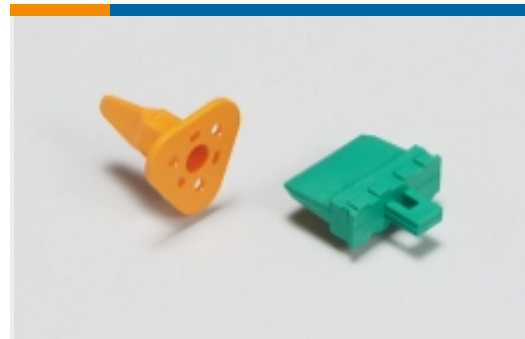


Other Automotive Connector Accessories(5)



PCB Headers & Receptacles(4)

## Also in the Series | Econoseal J - Mark II



Automotive Connector Locks & Position Assurance(18)



Automotive Housings(41)



Automotive Seals & Cavity Plugs(8)

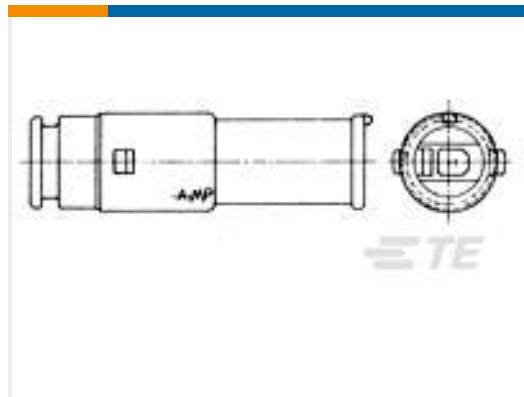


Other Automotive Connector Accessories(4)

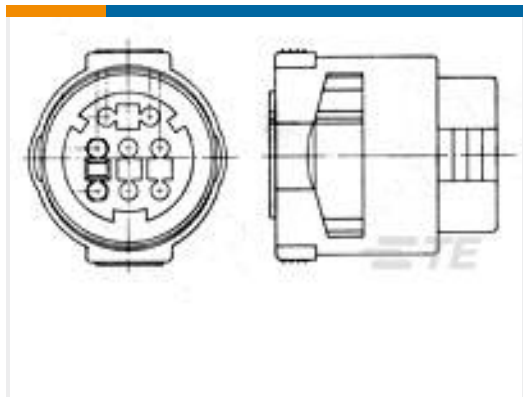
## Customers Also Bought



TE Part #172189-1  
ECONOSEAL-J FILTER CHIP



TE Part #172199-1  
ECONOSEAL-J CONN CAP 2P  
NATURA



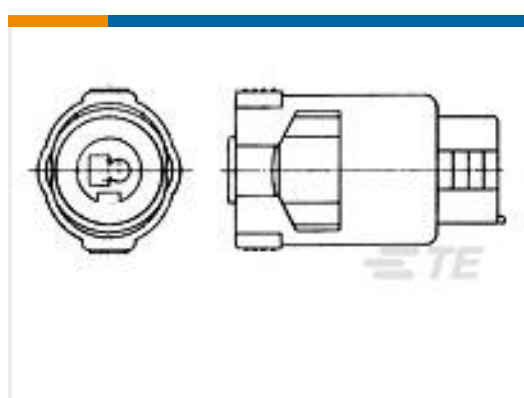
TE Part #172198-1  
ECONOSEAL-J CONN PLUG 2P



TE Part #172282-1  
ECONOSEAL 12P RUBBER



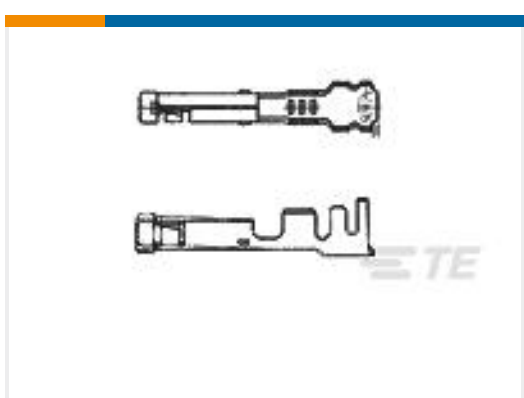
TE Part #172204-1  
ECONOSEAL-J CONN PLUG 4P



TE Part #172201-1  
ECONOSEAL-J CONN PLUG 3P



TE Part #170292-1  
2 DIA PIN LANCE LESS L.P.



TE Part #170293-1  
2 DIA PIN REC LP



## Documents

### Product Drawings

#### ECONOSEAL-J CONN RUBBER 2P

English

### CAD Files

#### 3D PDF

3D

#### Customer View Model

[ENG\\_CVM\\_CVM\\_172200-1\\_B.2d\\_dxf.zip](#)

English

#### Customer View Model

[ENG\\_CVM\\_CVM\\_172200-1\\_B.3d\\_igs.zip](#)

English

#### Customer View Model

[ENG\\_CVM\\_CVM\\_172200-1\\_B.3d\\_stp.zip](#)

English

By downloading the CAD file I accept and agree to the [Terms and Conditions](#) of use.

### Product Specifications

#### Product Specification

Japanese

### Product Environmental Compliance

#### Product Compliance

English

#### Product Compliance

English

### Instruction Sheets

#### Customer Manual (non U.S.)

English

#### AMP ECONOSEAL\* SERIES "J" CONNECTOR

English

#### Customer Manual (non U.S.)

Japanese

#### AMP ECONOSEAL\* SERIES "J" CONNECTOR



Japanese