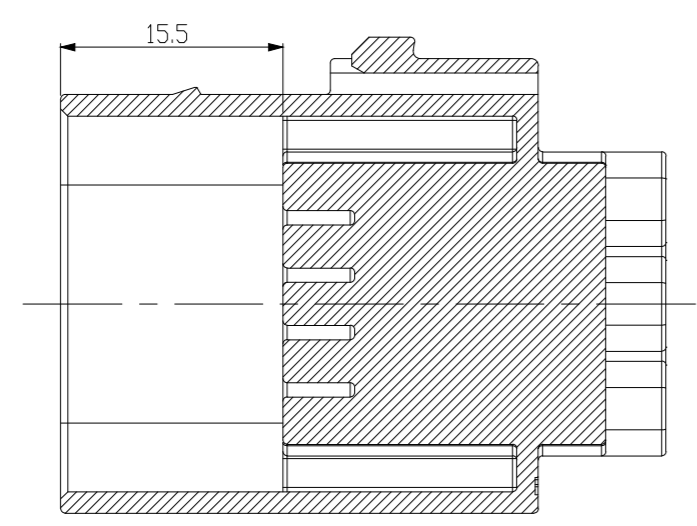
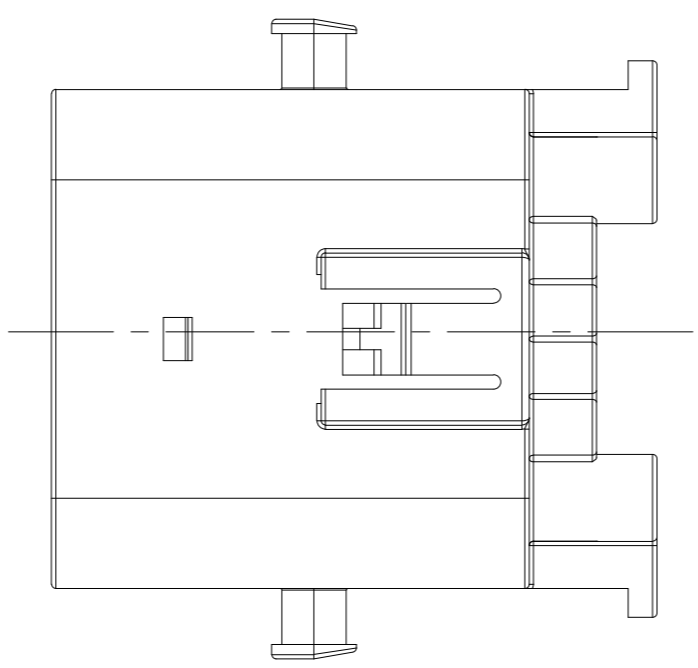


REVISIONS				
P	LTR	DESCRIPTION	DATE	APVD
B2		REVISED (ECR-16-009958)	31.OCT.16	SJ JW

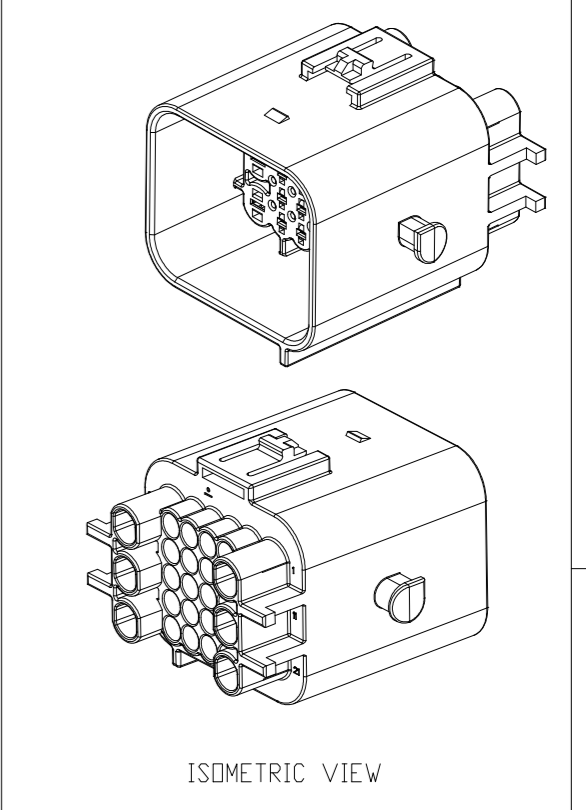


SECTION A1-A1

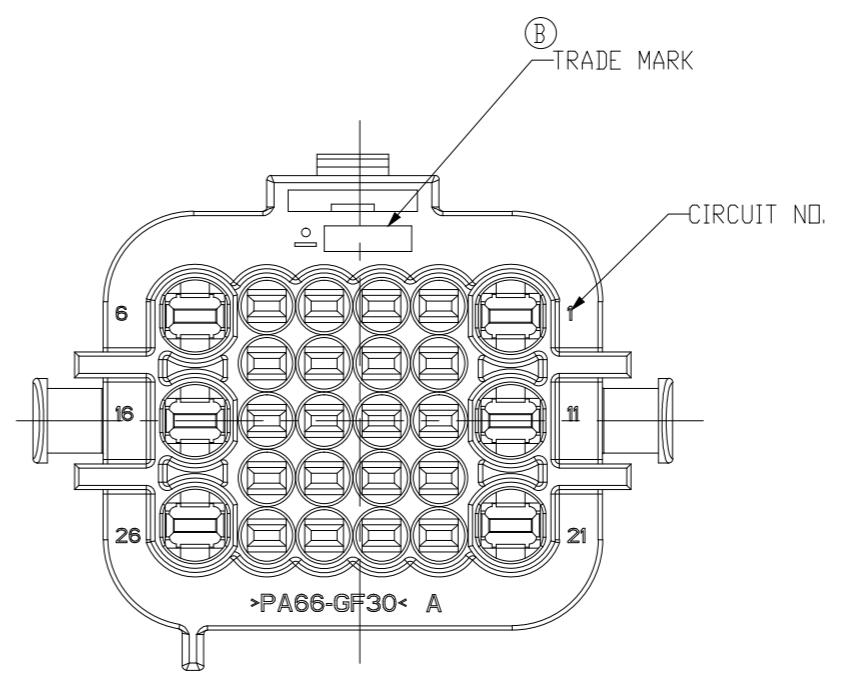
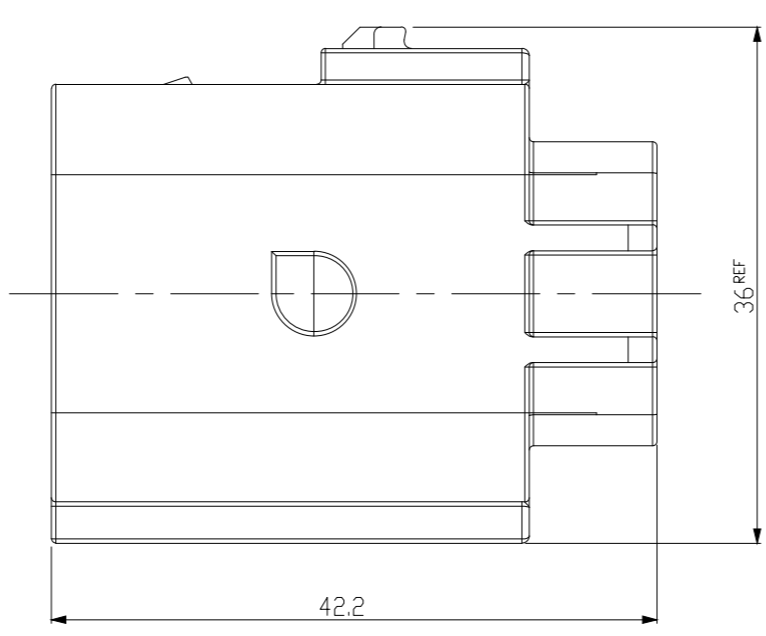
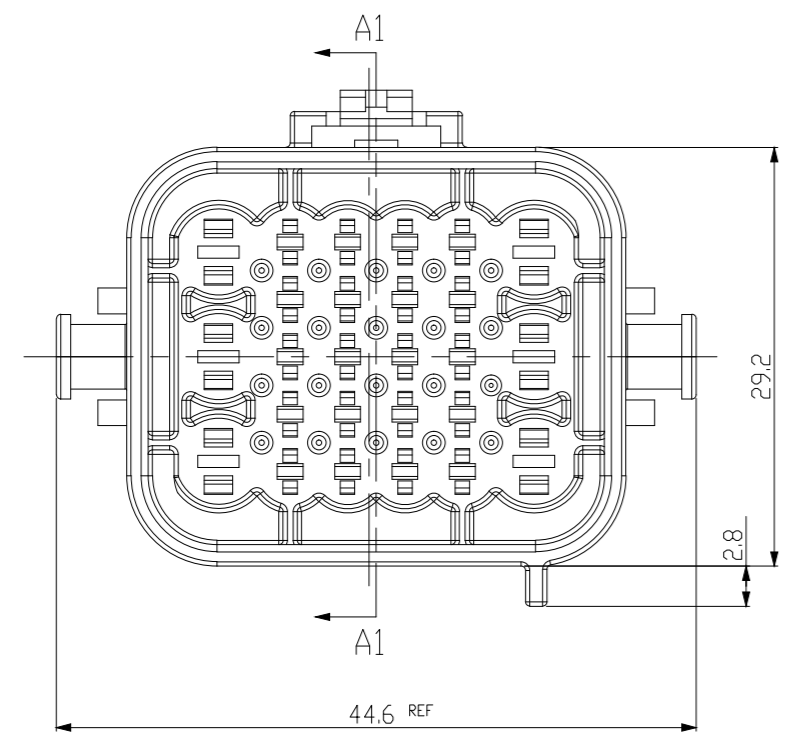


<TABLE 1>

TYPE	PART NO.	WIRE SIZE(mm ²)	Insulation DIA(mm)	Applicable WIRE	FINISH
MTII	0-963902-1	0.2~0.5	1.15~1.6	AVSSXF 0.5 Max	CuSn4
	0-963902-3				CuSn4(GOLD)
	0-963904-1	0.5~1.0	1.4~2.1	AVSSXF 0.85 Max	CuSn4
0-963904-3	CuSn4(GOLD)				
JPT	1-962915-1	0.5~1.0	2.1 Max	AVSSXF 0.85 Max	CuSn4
	1-962915-3				CuSn4(GOLD)
	1-962916-1	1.0~2.5	3.0 Max	AVSS 2.0 Max or FLR 2.5 Max	CuSn4
1-962916-3	CuSn4(GOLD)				



ISOMETRIC VIEW



<TABLE 2>

TYPE	PART NO.	WIRE INSULATION DIAMETER(mm)	COLOR
MTII	964971-1	1.2~1.6	RED
	963530-1	1.4~1.9	GRAY
	964972-1	1.9~2.1	YELLOW
JPT	963531-1	CAVITY PLUG	WHITE
	828904-2	1.2~2.1	BLUE
	828905-1	2.2~3.0	WHITE
	828922-1	CAVITY PLUG	NATURAL

- NOTE
- GENERAL TOLERANCE: ±0.3, ±3°
 - APPLIED PLUG P/N:X-1897009-X
APPLIED WIRE COVER P/N:X-1897015-X
 - APPLICABLE TAB CONTACT P/N:TABLE 1
 - APPLICABLE WIRE SEAL P/N:TABLE 2

B2	CAP HSG FOR HYB 26P	PA66-GF30	GRAY	1897013-3
	CAP HSG FOR HYB 26P	PA66-GF30	BALCK	1897013-2
	DESCRIPTION	MATERIAL	COLOR	P/N

THIS DRAWING IS A CONTROLLED DOCUMENT.

DIMENSIONS:	TOLERANCES UNLESS OTHERWISE SPECIFIED:
MM	
3rd ANGLE PROJECTION	0 PLC ±
	1 PLC ±
	2 PLC ±
	3 PLC ±
	4 PLC ±
	ANGLES ±
MATERIAL	FINISH
SEE TABLE	

DWN SJ CHOI
 CHK SJ CHOI
 APVD JW JUNG
 PRODUCT SPEC

NAME CAP HSG FOR MTII JPT SEALED 26P

APPLICATION SPEC

WEIGHT

CUSTOMER DRAWING

SIZE A2 CAGE CODE 00779 DRAWING NO C=1897013 RESTRICTED TO -

SCALE 2:1 SHEET 1 OF 1 REV B2

