



AMP | Econoseal, Econoseal J - Mark II

TE Internal #: 174258-7

Automotive Connector Locks & Position Assurance, TPA (Terminal Position Assurance), Yellow, Wire-to-Wire, PBT, Econoseal J - Mark II

[View on TE.com >](#)

Connectors > Automotive Connectors > Connector Accessories > Locks & Position Assurance



Connector & Contact Retention Accessory Type: **TPA (Terminal Position Assurance)**

Primary Product Color: **Yellow**

Connector System: **Wire-to-Wire**

Primary Product Material: **PBT**

Operating Temperature Range: **-30 – 105 °C [ -22 – 221 °F ]**

### Features

#### Product Type Features

Connector & Contact Retention Accessory Type	TPA (Terminal Position Assurance)
Connector System	Wire-to-Wire

#### Body Features

Primary Product Color	Yellow
Primary Product Material	PBT

#### Usage Conditions

Operating Temperature Range	-30 – 105 °C[-22 – 221 °F]
-----------------------------	----------------------------

#### Industry Standards

UL Flammability Rating	UL 94V-2
------------------------	----------

#### Packaging Features

Packaging Quantity	1000
Packaging Method	Bag

#### Other

Serviceable	Yes
-------------	-----

### Product Compliance

[For compliance documentation, visit the product page on TE.com>](#)



EU RoHS Directive 2011/65/EU	Compliant
EU ELV Directive 2000/53/EC	Compliant
China RoHS 2 Directive MIIT Order No 32, 2016	No Restricted Materials Above Threshold
EU REACH Regulation (EC) No. 1907/2006	Current ECHA Candidate List: JAN 2022 (223) Candidate List Declared Against: JAN 2022 (223) Does not contain REACH SVHC
Halogen Content	Not Low Halogen - contains Br or Cl > 900 ppm.
Solder Process Capability	Not applicable for solder process capability

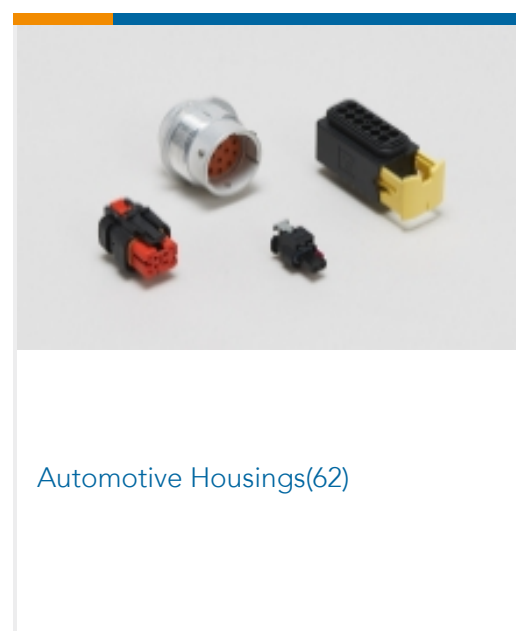
Product Compliance Disclaimer

This information is provided based on reasonable inquiry of our suppliers and represents our current actual knowledge based on the information they provided. This information is subject to change. The part numbers that TE has identified as EU RoHS compliant have a maximum concentration of 0.1% by weight in homogenous materials for lead, hexavalent chromium, mercury, PBB, PBDE, DBP, BBP, DEHP, DIBP, and 0.01% for cadmium, or qualify for an exemption to these limits as defined in the Annexes of Directive 2011/65/EU (RoHS2). Finished electrical and electronic equipment products will be CE marked as required by Directive 2011/65/EU. Components may not be CE marked. Additionally, the part numbers that TE has identified as EU ELV compliant have a maximum concentration of 0.1% by weight in homogenous materials for lead, hexavalent chromium, and mercury, and 0.01% for cadmium, or qualify for an exemption to these limits as defined in the Annexes of Directive 2000/53/EC (ELV). Regarding the REACH Regulation, the information TE provides on SVHC in articles for this part number is based on the latest European Chemicals Agency (ECHA) 'Guidance on requirements for substances in articles' posted at this URL: <https://echa.europa.eu/guidance-documents/guidance-on-reach>

## Compatible Parts



## Also in the Series | Econoseal

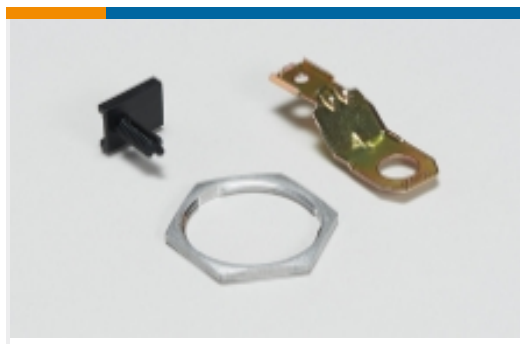




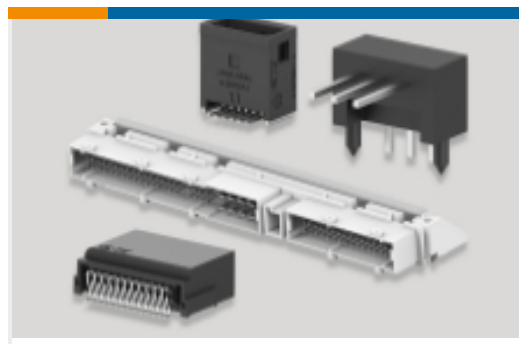
Automotive Terminals(47)



Insertion & Extraction Tools(7)

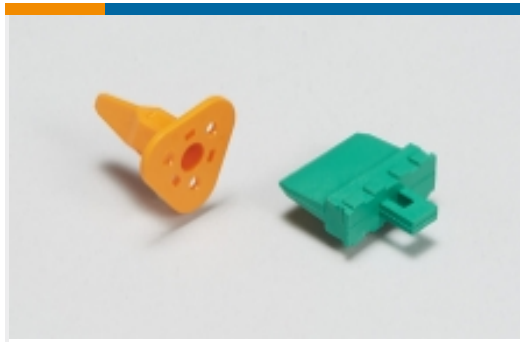


Other Automotive Connector Accessories(5)



PCB Headers & Receptacles(4)

## Also in the Series | Econoseal J - Mark II



Automotive Connector Locks & Position Assurance(18)



Automotive Housings(41)

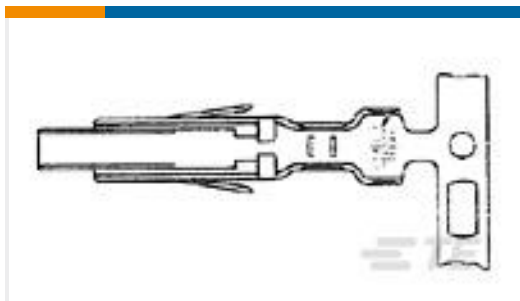


Automotive Seals & Cavity Plugs(8)

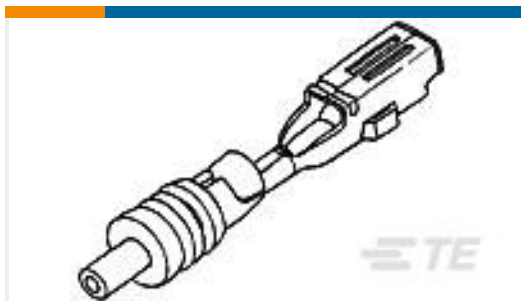


Other Automotive Connector Accessories(4)

## Customers Also Bought



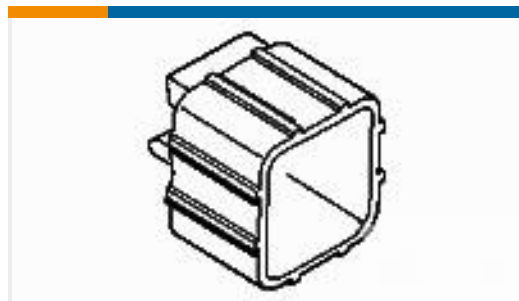
TE Part #170484-1  
CONTACT FOR DRAWER CONNECTOR



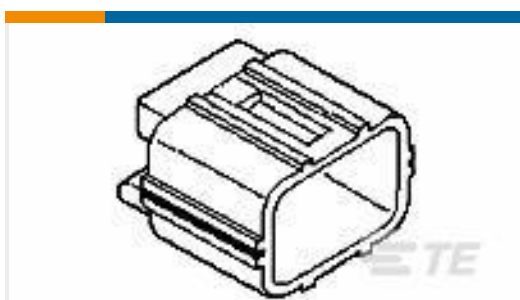
TE Part #173707-1  
E-J MK-2 070 REC CONT LP



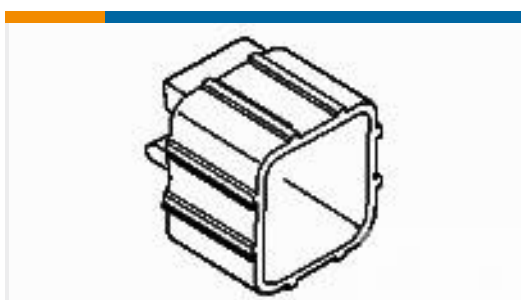
TE Part #174257-2  
ECONOSEAL, CONNECTOR HOUSING



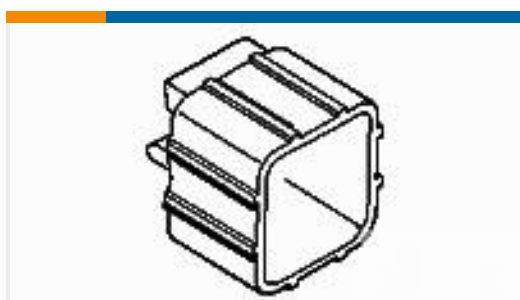
TE Part #1-174260-1  
ECONO-J MK-2 LOCK PLATE CAP 4P



TE Part #174355-7  
070 ECONOSEAL MARK-2 P/CAP 2P



TE Part #174260-7  
ECONO-J MK-2 LOCK PLATE CAP 4P



TE Part #1-174664-1  
E-J MK-2 CAP HSG 12P NATURAL

## Documents

### Product Drawings

[ECONO-J MK-2 LOCK PLATE 4P](#)

English

### CAD Files

[3D PDF](#)

English



### Customer View Model

[ENG\\_CVM\\_174258-7\\_B.3d\\_igs.zip](#)

English

### Customer View Model

[ENG\\_CVM\\_174258-7\\_B.3d\\_stp.zip](#)

English

### Customer View Model

[ENG\\_CVM\\_174258-7\\_B.2d\\_dxf.zip](#)

English

By downloading the CAD file I accept and agree to the [Terms and Conditions](#) of use.

## Product Specifications

[Product Specification](#)

English

[Product Specification](#)

Japanese

## Product Environmental Compliance

[Product Compliance](#)

English

[Product Compliance](#)

English

## Instruction Sheets

[ECONOSEAL J MARK II+ CONNECTOR \(EJ-MK II+\)](#)

English

[Customer Manual \(non U.S.\)](#)

English

[ECONOSEAL J MARK II+ CONNECTOR](#)

English

[Customer Manual \(non U.S.\)](#)

English