

1241404-1 ✓ ACTIVE

AMP | AMP MCP Connector System

TE Internal #: 1241404-1

Automotive Terminals, Receptacle, Mating Tab Width 4.8 mm / 5.8 mm / 6.3 mm [.189 in / .248 in / .228 in], AMP MCP Connector System

[View on TE.com >](#)



Terminals & Splices > Automotive Terminals > AMP MCP, RECEPTACLE AND TAB



Terminal Type: **Receptacle**

Mating Tab Width: 4.8 mm, 5.8 mm, 6.3 mm [.189 in, .228 in, .248 in]

Mating Tab Thickness: .8 mm [.031 in]

Terminal Transmits: 0 – 24 A (Low Power)

Wire Size: 15 – 13 AWG

[All AMP MCP, RECEPTACLE AND TAB \(125\)](#)

Features

Product Type Features

Receptacle Style	180°
Sealable	No
Primary Locking Feature	Locking Lance

Contact Features

Typical Current Rating	24 A
Crimp Type	F-Crimp
Terminal Type	Receptacle
Mating Tab Width	4.8 mm, 5.8 mm, 6.3 mm [.189 in][.228 in][.248 in]
Mating Tab Thickness	.8 mm [.031 in]
Interface Plating	Tin (Sn)
Contact Termination Area Plating Material	Tin (Sn)

Termination Features

Termination Method to Wire & Cable	Crimp
Product Terminates To	Wire

Dimensions

Wire Size	1.5 – 2.5 mm ²
-----------	---------------------------



Wire Size Search	13 AWG, 14 AWG, 15 AWG
------------------	------------------------

Wire Insulation Diameter	2.2 – 3 mm [.086 – .118 in]
--------------------------	-----------------------------

Usage Conditions

Insulation Option	Uninsulated
-------------------	-------------

Operating Temperature (Max)	80 °C, 85 °C, 90 °C, 100 °C, 105 °C, 110 °C, 120 °C, 125 °C, 130 °C [176 °F][185 °F][194 °F][212 °F][221 °F][230 °F][248 °F][257 °F][266 °F]
-----------------------------	--

Operating Temperature Range	-40 – 130 °C [-40 – 266 °F]
-----------------------------	-----------------------------

Operation/Application

Compatible With Wire Base Material	Copper
------------------------------------	--------

Industry Standards

Agency/Standard	LV214
-----------------	-------

Packaging Features

Packaging Method	Reel
------------------	------

Packaging Quantity	2000
--------------------	------

Other

Terminal Transmits	0 – 24 A (Low Power)
--------------------	----------------------

Product Compliance

[For compliance documentation, visit the product page on TE.com>](#)

EU RoHS Directive 2011/65/EU	Compliant
------------------------------	-----------

EU ELV Directive 2000/53/EC	Compliant
-----------------------------	-----------

China RoHS 2 Directive MIIT Order No 32, 2016	No Restricted Materials Above Threshold
---	---

EU REACH Regulation (EC) No. 1907/2006	Current ECHA Candidate List: JAN 2022 (223) Candidate List Declared Against: JAN 2022 (223) Does not contain REACH SVHC
--	---

Halogen Content	Low Halogen - Br, Cl, F, I < 900 ppm per homogenous material. Also BFR/CFR/PVC Free
-----------------	---

Solder Process Capability	Not applicable for solder process capability
---------------------------	--

Product Compliance Disclaimer

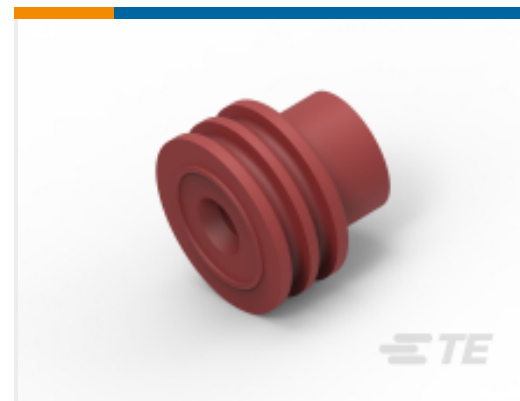
This information is provided based on reasonable inquiry of our suppliers and represents our current actual knowledge based on the information they provided. This information is subject to change. The part numbers that TE has identified as

EU RoHS compliant have a maximum concentration of 0.1% by weight in homogenous materials for lead, hexavalent chromium, mercury, PBB, PBDE, DBP, BBP, DEHP, DIBP, and 0.01% for cadmium, or qualify for an exemption to these limits as defined in the Annexes of Directive 2011/65/EU (RoHS2). Finished electrical and electronic equipment products will be CE marked as required by Directive 2011/65/EU. Components may not be CE marked. Additionally, the part numbers that TE has identified as EU ELV compliant have a maximum concentration of 0.1% by weight in homogenous materials for lead, hexavalent chromium, and mercury, and 0.01% for cadmium, or qualify for an exemption to these limits as defined in the Annexes of Directive 2000/53/EC (ELV). Regarding the REACH Regulation, the information TE provides on SVHC in articles for this part number is based on the latest European Chemicals Agency (ECHA) 'Guidance on requirements for substances in articles' posted at this URL: <https://echa.europa.eu/guidance-documents/guidance-on-reach>

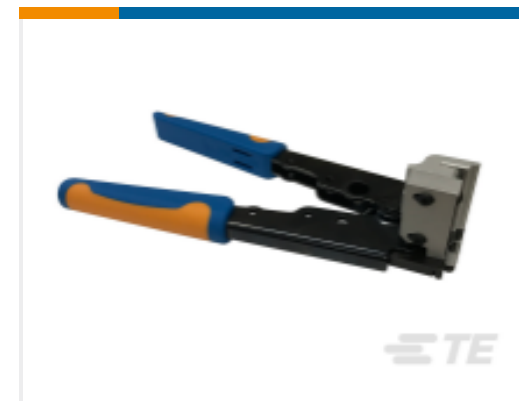
Compatible Parts



TE Part # 1-1579007-3
EXTRACTION TOOL



TE Part # 1823111-1
SINGLE WIRE SEAL, FOR WIRE 2.5 SQMM, BN



TE Part # 2305570-1
TERMINAL CUTTER, SIDE FEED



TE Part # CAT-AM705-CH8173
AMP MCP, UNSEALED CONNECTOR HOUSING



TE Part # CAT-T4827-T273
TIMER, RECEPTACLE AND TAB



TE Part # CAT-H3399-CH8172
Heavy Duty Sealed Connector Series Housings



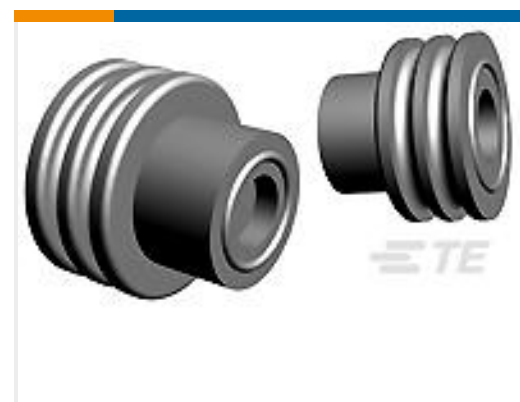
TE Part # CAT-AC853-T273
PRESS FIT PIN TERMINALS



TE Part # CAT-M9194-CH8172
MULTILOCK, CONNECTOR HOUSING



TE Part # 2109193-1
025/060/250 HYB LIF 41P PLUG A



TE Part # 1394511-1
EINZELLEITDICHTG, WS



TE Part # 2-2151059-1
OCEAN_2.0_APPLICATOR-S-110F140OV



TE Part # 2-2151059-2
OCEAN_2.0_APPLICATOR-S-110F140OV



TE Part # 2151059-1
OCEAN_2.0_APPLICATOR-S-110F140OV



TE Part # 2151059-2
OCEAN_2.0_APPLICATOR-S-110F140OV



TE Part # 2836684-1
APPLICATOR TO MAKE LOOSE PIECE TERMINAL



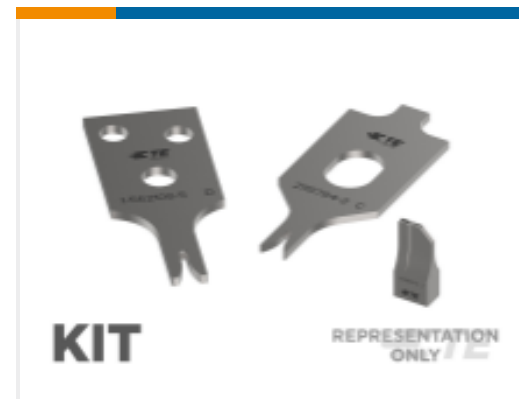
TE Part # 7-2151059-1
OCEAN_2.0_APPLICATOR-S-110F140OV



TE Part # 7-2151059-2
OCEAN_2.0_APPLICATOR-S-110F140OV



KIT
REPRESENTATION ONLY
TE Part # 7-2151059-7
OCEAN_2.0_SPARE_PART_KIT-110F140OV




KIT
REPRESENTATION ONLY
TE Part # 7-2836684-7
TOOLING KIT TO MAKE LOOSE PIECE TERMINAL

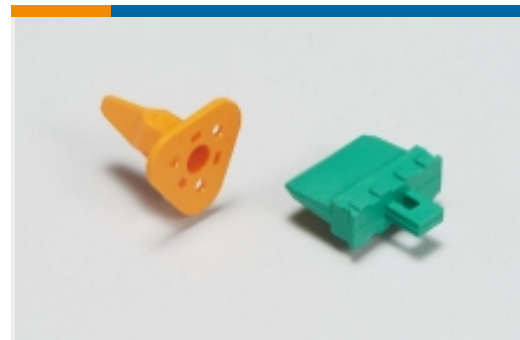


TE Part # 2112668-1
23POS MIXED MQS REC


Also in the Series | AMP MCP Connector System



Automotive Connector Caps & Covers (24)




Automotive Connector Locks & Position Assurance(7)




Automotive Housings(352)




Automotive Seals & Cavity Plugs(6)



Automotive Terminals(125)



Insertion & Extraction Tools(13)



Other Automotive Connector Accessories(2)



PCB Headers & Receptacles(29)

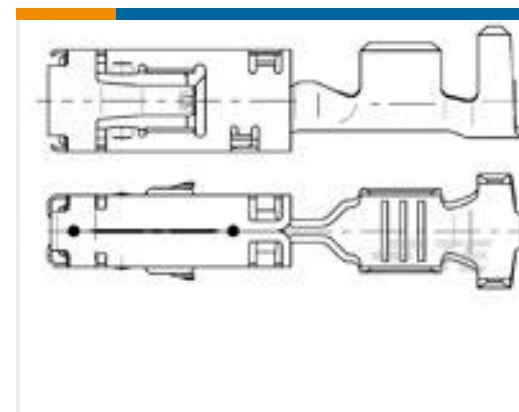
Customers Also Bought



TE Part #1241408-1
AMP MCP, RECEPTACLE AND TAB



TE Part #964306-1
TIMER, RECEPTACLE AND TAB



TE Part #967542-2
SENS FLA-KONT 2,8



TE Part #2141824-1
MQS0,63 Sn rec LL unseal. 0,13-0,17



TE Part #2141970-3
MCON 1.2 LL REC SWS AG



TE Part #1-2141857-3
AMP MCP 2.8, CONTACT



Documents

Product Drawings

[AMP MCP 6.3/4.8K, CONTACT](#)

English

CAD Files

[3D PDF](#)

3D

Customer View Model

[ENG_CVM_CVM_1241404-1_A.2d_dxf.zip](#)

English

Customer View Model

[ENG_CVM_CVM_1241404-1_A.3d_igs.zip](#)

English

Customer View Model

[ENG_CVM_CVM_1241404-1_A.3d_stp.zip](#)

English

By downloading the CAD file I accept and agree to the [Terms and Conditions](#) of use.

Product Specifications

[Application Specification](#)

German

[Application Specification](#)

English

Product Environmental Compliance

[MD_1241404-1_0525201855_dmtec](#)

English

[MD_1241404-1_0525201855_dmtec](#)

English