

1-967640-1 ✓ ACTIVE

AMP | MQS

TE Internal #: 1-967640-1

Housing for Female Terminals, Wire-to-Wire / Wire-to-Board / Wire-to-Device, 4 Position, .122 in [2.54 mm] Centerline, Black, Signal, MQS

[View on TE.com >](#)



Connectors > Automotive Connectors > Connector Housings > MQS, CONNECTOR HOUSING



Connector & Housing Type: **Housing for Female Terminals**

Mating Tab Width: .63 mm [ .025 in ]

Connector System: **Wire-to-Board, Wire-to-Device, Wire-to-Wire**

Number of Positions: 4

Centerline (Pitch): 2.54 mm [ .122 in ]

[All MQS, CONNECTOR HOUSING \(557\)](#)

## Features

### Product Type Features

Connector & Housing Shape	Rectangular
Connector & Housing Type	Housing for Female Terminals
Connector System	Wire-to-Board, Wire-to-Device, Wire-to-Wire
Sealable	No
Hybrid Connector	No
Primary Locking Feature	On the Terminal

### Configuration Features

Number of Positions	4
Number of Rows	2

### Body Features

Cable Exit Angle	180°
Body Material	PBT GF



Primary Product Color	Black
Connector Code	A

### Contact Features

Contact Size	.63mm
Contact Type	Receptacle
Mating Tab Width	.63 mm[.025 in]

### Mechanical Attachment

Mounting Feature	Without
Terminal Position Assurance	Yes
Strain Relief	Without
Mating Alignment Type	Keyed
Mating Alignment	With
Connector Mounting Type	Cable Mount (Free-Hanging)

### Housing Features

Centerline (Pitch)	2.54 mm[.122 in]
--------------------	------------------

### Dimensions

Product Width	24.2 mm[.953 in]
Product Length	15.3 mm[.602 in]
Product Height	24.2 mm[.953 in]
Row-to-Row Spacing	5.9 mm[.232 in]

### Usage Conditions

Operating Temperature (Max)	70 °C, 75 °C, 80 °C, 85 °C, 90 °C, 100 °C, 105 °C, 110 °C, 120 °C[158 °F][167 °F][176 °F][185 °F][194 °F][212 °F][221 °F][230 °F][248 °F]
Operating Temperature Range	-40 – 120 °C[-40 – 248 °F]

### Operation/Application

Circuit Application	Signal
---------------------	--------

### Industry Standards

Degree of Protection	IPX9K
----------------------	-------

### Packaging Features

Packaging Method	Bag
------------------	-----



Other

Serviceable	No
Connector Position Assurance Capable	No

Product Compliance

[For compliance documentation, visit the product page on TE.com>](#)

EU RoHS Directive 2011/65/EU	Compliant
EU ELV Directive 2000/53/EC	Compliant
China RoHS 2 Directive MIIT Order No 32, 2016	No Restricted Materials Above Threshold
EU REACH Regulation (EC) No. 1907/2006	Current ECHA Candidate List: JAN 2022 (223) Candidate List Declared Against: JAN 2022 (223) Does not contain REACH SVHC
Halogen Content	Not Low Halogen - contains Br or Cl > 900 ppm.
Solder Process Capability	Not applicable for solder process capability

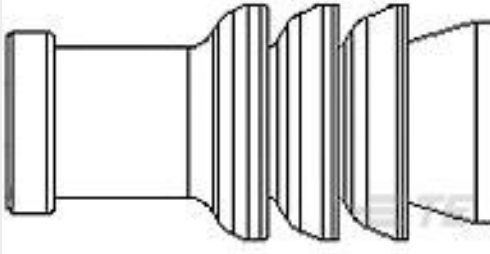
Product Compliance Disclaimer

This information is provided based on reasonable inquiry of our suppliers and represents our current actual knowledge based on the information they provided. This information is subject to change. The part numbers that TE has identified as EU RoHS compliant have a maximum concentration of 0.1% by weight in homogenous materials for lead, hexavalent chromium, mercury, PBB, PBDE, DBP, BBP, DEHP, DIBP, and 0.01% for cadmium, or qualify for an exemption to these limits as defined in the Annexes of Directive 2011/65/EU (RoHS2). Finished electrical and electronic equipment products will be CE marked as required by Directive 2011/65/EU. Components may not be CE marked. Additionally, the part numbers that TE has identified as EU ELV compliant have a maximum concentration of 0.1% by weight in homogenous materials for lead, hexavalent chromium, and mercury, and 0.01% for cadmium, or qualify for an exemption to these limits as defined in the Annexes of Directive 2000/53/EC (ELV). Regarding the REACH Regulation, the information TE provides on SVHC in articles for this part number is based on the latest European Chemicals Agency (ECHA) 'Guidance on requirements for substances in articles' posted at this URL: <https://echa.europa.eu/guidance-documents/guidance-on-reach>

Compatible Parts



TE Part # CAT-M8793-CH8172  
MQS, CONNECTOR HOUSING



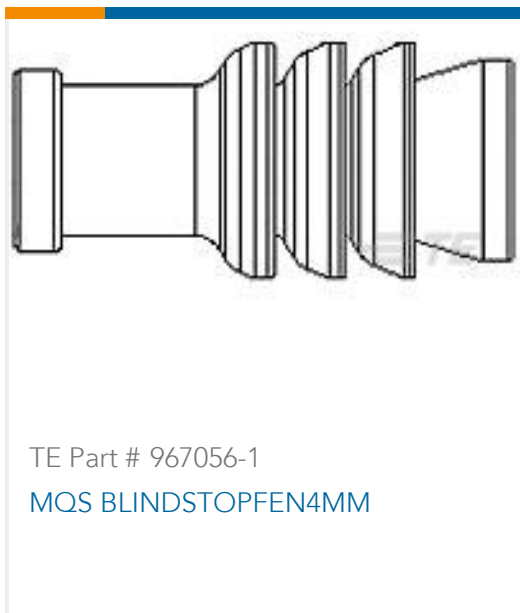
TE Part # 967067-2  
MQS EINZELLEITDICHT



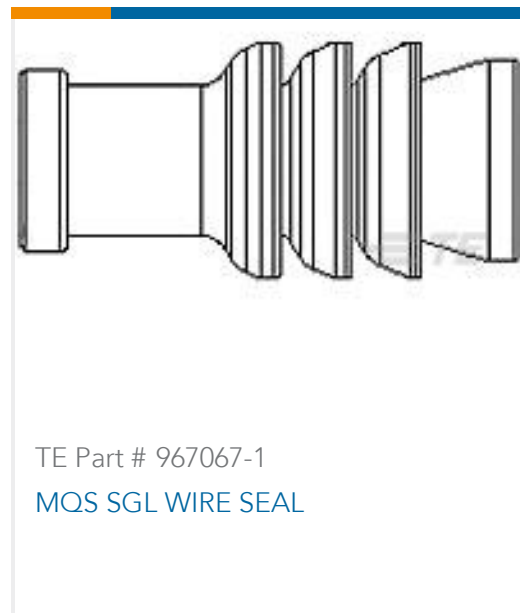
TE Part # CAT-SIGH262  
SIGNAL HEADER



TE Part # CAT-M8793-T273  
MQS, RECEPTACLE AND TAB



TE Part # 967056-1  
MQS BLINDSTOPFEN4MM



TE Part # 967067-1  
MQS SGL WIRE SEAL



TE Part # 1-2377168-1  
CHARGING INLET CCS1, CABLE ASSY



TE Part # 1-2377168-2  
CHARGING INLET CCS1, CABLE ASSY



TE Part # 1-2377168-3  
CHARGING INLET CCS1, CABLE ASSY



TE Part # 1-2377168-4  
CHARGING INLET CCS1, CABLE ASSY



TE Part # 1-2377168-5  
CHARGING INLET CCS1, CABLE ASSY



TE Part # 1-2377168-6  
CHARGING INLET CCS1, CABLE ASSY



TE Part # 1-2377698-1  
CHARGING INLET CCS2, CABLE ASSY



TE Part # 1-2377698-2  
CHARGING INLET CCS2, CABLE ASSY



TE Part # 1-2377698-3  
CHARGING INLET CCS2, CABLE ASSY



TE Part # 1-2377698-4  
CHARGING INLET CCS2, CABLE ASSY



TE Part # 1-2377698-5  
CHARGING INLET CCS2, CABLE ASSY



TE Part # 1-2377698-6  
CHARGING INLET CCS2, CABLE ASSY



TE Part # 1-2393947-1  
COMBO 1, CHARGE INLET ASSY,  
WITH LED

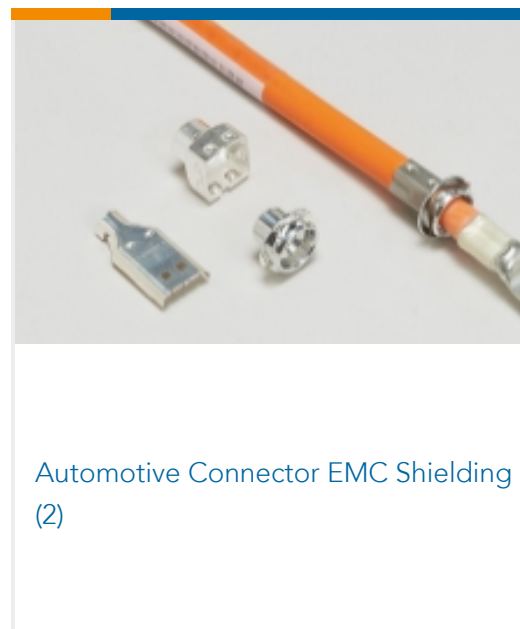


TE Part # 1-2393947-2  
COMBO 1, CHARGE INLET ASSY,  
WITH LED

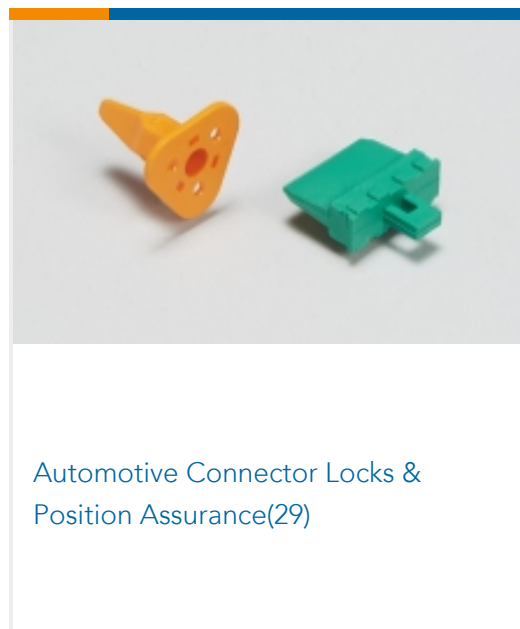
Also in the Series | **MQS**



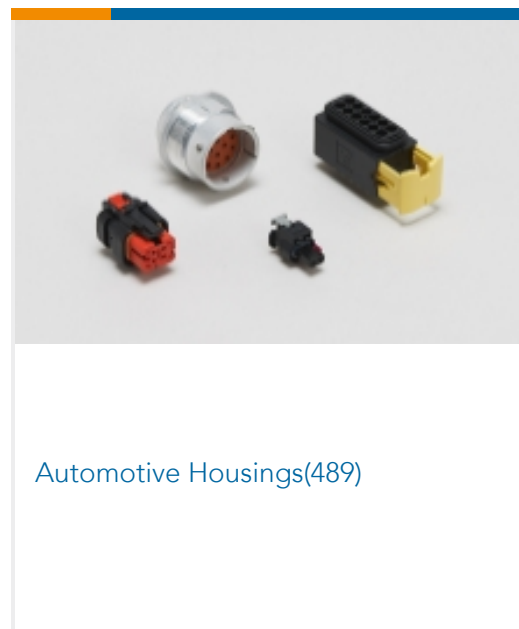
Automotive Connector Caps & Covers  
(131)



Automotive Connector EMC Shielding  
(2)



Automotive Connector Locks &  
Position Assurance(29)



Automotive Housings(489)



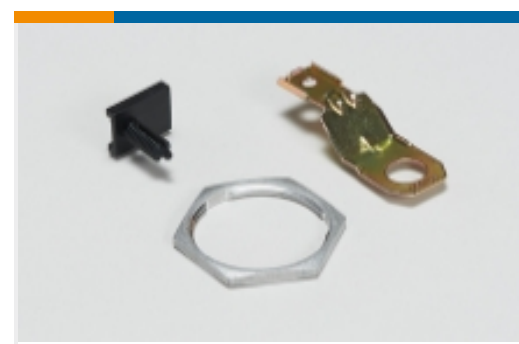
Automotive Seals & Cavity Plugs(26)



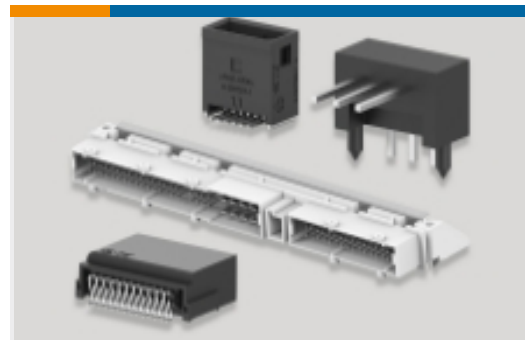
Automotive Terminals(96)



Insertion & Extraction Tools(42)



Other Automotive Connector Accessories(13)

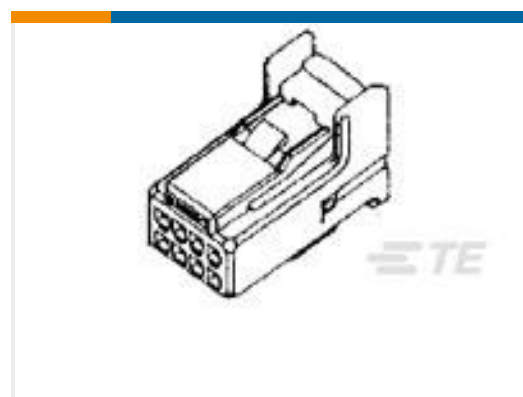


PCB Headers & Receptacles(206)

## Customers Also Bought



TE Part #1-967584-1  
MQS, CONNECTOR HOUSING



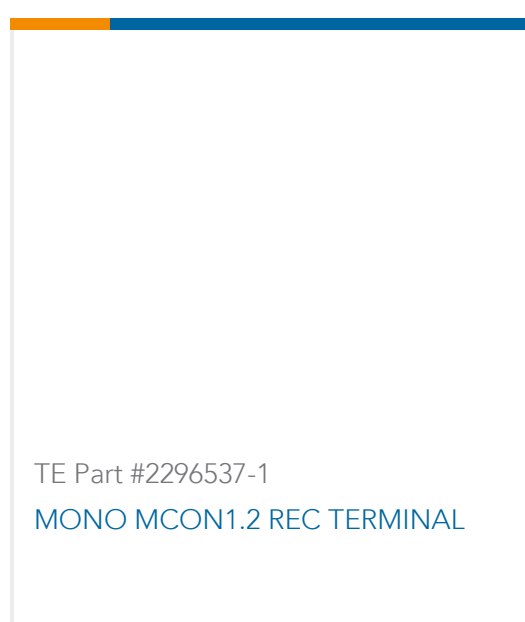
TE Part #1376352-2  
025 8POS PLUG ASSY



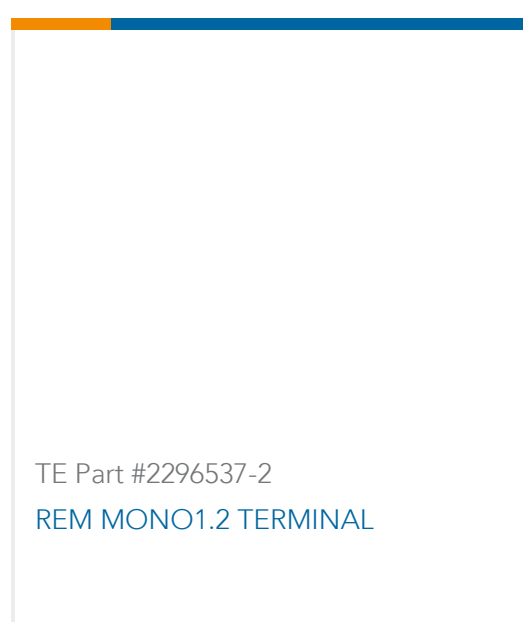
TE Part #1-2355507-1  
3POS,MCON 1.2,REC HSG ASSY,SLD,  
COD A



TE Part #2293362-1  
MQS ONE PIECE TAB WIRE 0.5-0.75  
EMEA



TE Part #2296537-1  
MONO MCON1.2 REC TERMINAL



TE Part #2296537-2  
REM MONO1.2 TERMINAL

## Documents

### Product Drawings

[4POS MQS REC COD A](#)

English

### CAD Files

[Customer View Model](#)

[ENG\\_CVM\\_CVM\\_1-967640-1\\_B.2d\\_dxf.zip](#)

English

[3D PDF](#)



3D

Customer View Model

[ENG\\_CVM\\_CVM\\_1-967640-1\\_B.3d\\_igs.zip](#)

English

Customer View Model

[ENG\\_CVM\\_CVM\\_1-967640-1\\_B.3d\\_stp.zip](#)

English

By downloading the CAD file I accept and agree to the [Terms and Conditions](#) of use.

---

### Datasheets & Catalog Pages

[Micro Quadlok Interconnection System \(MQS\)](#)

English

---

### Product Specifications

[Application Specification](#)

English

[Application Specification](#)

English

---

### Product Environmental Compliance

[Product Compliance](#)

English

[Product Compliance](#)

English