

1123337-1 ✓ ACTIVE

AMP | TH/.025 Connector System

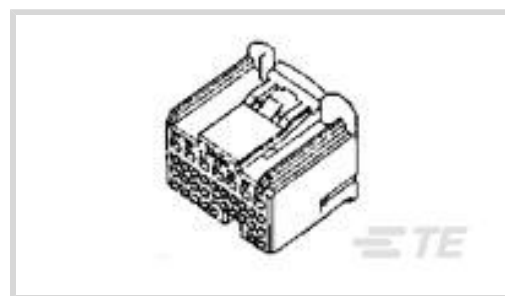
TE Internal #: 1123337-1

Housing for Female Terminals, Wire-to-Board / Wire-to-Device, 34
Position, TH/.025 Connector System

[View on TE.com >](#)



Connectors > Automotive Connectors > Connector Housings > TH/.025 CONNECTOR SYSTEM, HOUSING



Connector & Housing Type: **Housing for Female Terminals**

Mating Tab Width: **.64 mm, 1 mm [.025 in, .04 in]**

Connector System: **Wire-to-Board, Wire-to-Device**

Number of Positions: **34**

Centerline (Pitch): **2.2 mm, 3.2 mm, 6.6 mm [.087 in, .126 in, .26 in]**

[All TH/.025 CONNECTOR SYSTEM, HOUSING \(202\)](#)

Features

Product Type Features

| | |
|---------------------------|-------------------------------|
| Connector & Housing Shape | Rectangular |
| Connector & Housing Type | Housing for Female Terminals |
| Connector System | Wire-to-Board, Wire-to-Device |
| Sealable | No |
| Hybrid Connector | Yes |

Configuration Features

| | |
|---------------------|------------|
| Number of Positions | 34 |
| Number of Rows | 1, 2, 3, 4 |

Electrical Characteristics

| | |
|------------------------------|--------|
| Operating Voltage | 12 VDC |
| Nominal Voltage Architecture | 12 V |

Body Features

| | |
|-----------------------|---------|
| Cable Exit Angle | 180° |
| Body Material | PBT |
| Primary Product Color | Natural |

Contact Features

| | |
|--------------|------------|
| Contact Size | .64mm, 1mm |
|--------------|------------|



| | |
|------------------|--------------------------------|
| Contact Type | Receptacle |
| Mating Tab Width | .64 mm, 1 mm [.025 in][.04 in] |

Mechanical Attachment

| | |
|-----------------------------|----------------------------|
| Mounting Feature | Without |
| Terminal Position Assurance | Yes |
| Strain Relief | Without |
| Mating Alignment Type | Polarized |
| Mating Alignment | With |
| Connector Mounting Type | Cable Mount (Free-Hanging) |

Housing Features

| | |
|--------------------|---------------------------------------------------|
| Centerline (Pitch) | 2.2 mm, 3.2 mm, 6.6 mm [.087 in][.126 in][.26 in] |
|--------------------|---------------------------------------------------|

Dimensions

| | |
|--------------------|-------------------|
| Product Width | 24.4 mm [.961 in] |
| Product Length | 21 mm [.827 in] |
| Product Height | 23 mm [.906 in] |
| Row-to-Row Spacing | 5.9 mm [.232 in] |

Usage Conditions

| | |
|-----------------------------|------------------------------------------------------------------------------------------------------------|
| Operating Temperature (Max) | 70 °C, 75 °C, 80 °C, 85 °C, 90 °C, 100 °C, 105 °C [158 °F][167 °F][176 °F][185 °F][194 °F][212 °F][221 °F] |
| Operating Temperature Range | -30 – 105 °C [-22 – 221 °F] |

Operation/Application

| | |
|---------------------|--------|
| Circuit Application | Signal |
|---------------------|--------|

Industry Standards

| | |
|------------------------|---------|
| UL Flammability Rating | UL 94HB |
|------------------------|---------|

Packaging Features

| | |
|--------------------|-----|
| Packaging Quantity | 100 |
| Packaging Method | Bag |

Other

| | |
|--------------------------------------|-----|
| Serviceable | Yes |
| Connector Position Assurance Capable | No |



Product Compliance

[For compliance documentation, visit the product page on TE.com>](#)

| | |
|-----------------------------------------------|-----------------------------------------------------------------------------------------------------------------------------------------|
| EU RoHS Directive 2011/65/EU | Compliant |
| EU ELV Directive 2000/53/EC | Compliant |
| China RoHS 2 Directive MIIT Order No 32, 2016 | No Restricted Materials Above Threshold |
| EU REACH Regulation (EC) No. 1907/2006 | Current ECHA Candidate List: JAN 2022 (223) Candidate List Declared Against: JUN 2020 (209) SVHC > Threshold: Not Yet Reviewed |
| Halogen Content | Low Halogen - Br, Cl, F, I < 900 ppm per homogenous material. Also BFR/CFR/PVC Free |
| Solder Process Capability | Not applicable for solder process capability |

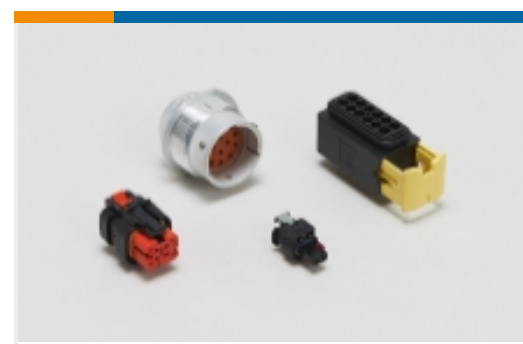
Product Compliance Disclaimer

This information is provided based on reasonable inquiry of our suppliers and represents our current actual knowledge based on the information they provided. This information is subject to change. The part numbers that TE has identified as EU RoHS compliant have a maximum concentration of 0.1% by weight in homogenous materials for lead, hexavalent chromium, mercury, PBB, PBDE, DBP, BBP, DEHP, DIBP, and 0.01% for cadmium, or qualify for an exemption to these limits as defined in the Annexes of Directive 2011/65/EU (RoHS2). Finished electrical and electronic equipment products will be CE marked as required by Directive 2011/65/EU. Components may not be CE marked. Additionally, the part numbers that TE has identified as EU ELV compliant have a maximum concentration of 0.1% by weight in homogenous materials for lead, hexavalent chromium, and mercury, and 0.01% for cadmium, or qualify for an exemption to these limits as defined in the Annexes of Directive 2000/53/EC (ELV). Regarding the REACH Regulation, the information TE provides on SVHC in articles for this part number is based on the latest European Chemicals Agency (ECHA) 'Guidance on requirements for substances in articles' posted at this URL: <https://echa.europa.eu/guidance-documents/guidance-on-reach>

Compatible Parts

| | | |
|-------------------------------------------------------------------------------------------------------------------------------------------------------|-----------------------------------------------------------------------------------------------------------------------------------------------------------------|-----------------------------------------------------------------------------------------------------------------------------------------------|
|  <p>TE Part # CAT-M9194-T273 MULTILOCK, RECEPTACLE AND TAB</p> |  <p>TE Part # CAT-T319-T273 TH/.025 CONNECTOR SYSTEM, RECEPT AND TAB</p> |  <p>TE Part # CAT-HPCH5372 HIGH PIN COUNT HEADER</p> |
|-------------------------------------------------------------------------------------------------------------------------------------------------------|-----------------------------------------------------------------------------------------------------------------------------------------------------------------|-----------------------------------------------------------------------------------------------------------------------------------------------|

Also in the Series | **TH/.025 Connector System**

Automotive Connector Caps & Covers
(6)

Automotive Housings(203)



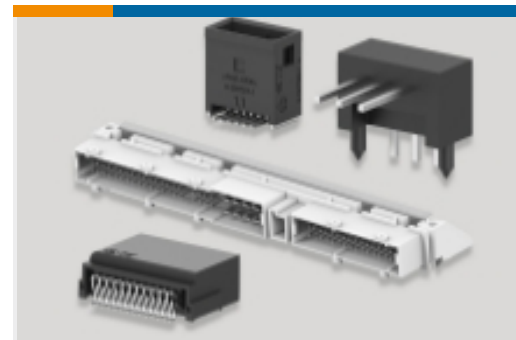
Automotive Seals & Cavity Plugs(2)



Automotive Terminals(25)

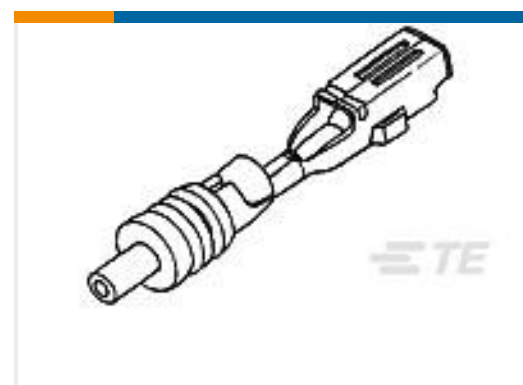
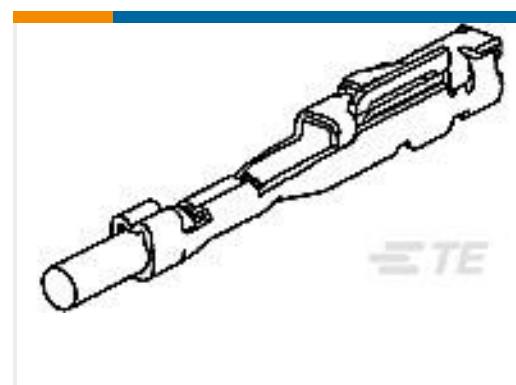


Insertion & Extraction Tools(4)

Other Automotive Connector
Accessories(5)

PCB Headers & Receptacles(144)

Customers Also Bought

TE Part #1473651-1
TH/.025 CONNECTOR SYSTEM,
HOUSINGTE Part #171630-5
E-J MK-2 070 REC CONTTE Part #1123343-2
025 REC CONTACT GOLD FORMINGTE Part #316836-1
040-3 REC CONT. STE Part #178448-2
EJ-2 DBL LOCK PLUG 2P ASSY BTE Part #2134869-1
30POS MIXED MQS RECTE Part #2013031-2
0.50 SERIES 24POS PLUG ASSY

Documents

Product Drawings

[025/040 ECU PLUG HSG ASSY 34P](#)

Japanese

CAD Files

Customer View Model

[ENG_CVM_1123337-1_A1.3d_igs.zip](#)

English

Customer View Model



[ENG_CVM_1123337-1_A1.3d_stp.zip](#)

English

Customer View Model

[ENG_CVM_1123337-1_A1.2d_dxf.zip](#)

English

3D PDF

3D

By downloading the CAD file I accept and agree to the [Terms and Conditions](#) of use.

Datasheets & Catalog Pages

[TH/.025 Connector Series](#)

English

Product Specifications

[Application Specification](#)

Japanese

[Crimping .040III Unsealed Contact, Receptacle](#)

Japanese

[Crimping of 025 Receptacle Contact](#)

Japanese

[Application Specification](#)

Japanese

Instruction Sheets

[Instruction Sheet \(non U.S.\)](#)

Japanese

[025/040 I/O Connector](#)

Japanese

[Instruction Sheet \(non U.S.\)](#)

Japanese

[025/040 I/O Connector](#)

Japanese